



DOCUMENTATION - DOKUMENTATION - DOCUMENTACIÓN

REGULATEUR PRODUIT / FLUID PRESSURE REGULATOR / MATERIALDRUCK - REGLER /
REGULADOR DE PRESIÓN

RegSMART™

Notice / Manual / Betriebsanleitung / Libro : 582.024.110 - 1605

Date / Datum / Fecha : 27/05/16

Annule / Supersede / Ersetzt / Anula :

Modif. / Änderung :

NOTICE ORIGINALE / TRANSLATION FROM THE ORIGINAL MANUAL
/ ÜBERSETZUNG DER ORIGINAL BETRIEBSANLEITUNG
/ TRADUCCIÓN DEL MANUAL ORIGINAL

IMPORTANT : Lire attentivement tous les documents avant le stockage, l'installation ou la mise en service du matériel concerné (à usage strictement professionnel).

Before assembly and start-up, please read and clearly understand all the documents relating to this equipment (professional use only).

WICHTIGER HINWEIS: Vor Lagerung, Installation oder Inbetriebnahme des Geräts bitte sämtliche Dokumente sorgfältig lesen (Einsatz nur von geschultem Personal).

IMPORTANTE : Lea con atención todos los documentos antes de almacenar, instalar o poner en marcha el equipo (uso exclusivamente profesional).

PHOTOS ET ILLUSTRATIONS NON CONTRACTUELLES. MATERIELS SUJETS A MODIFICATION(S) SANS PREAVIS.

THE PICTURES AND DRAWINGS ARE NON CONTRACTUAL. WE RESERVE THE RIGHT TO MAKE CHANGES WITHOUT PRIOR NOTICE.

ALLE IN DIESEM DOKUMENT ENTHALTENEN SCHRIFTLICHEN ANGABEN UND ABBILDUNGEN STELLEN DIE NEUESTEN

PRODUKTINFORMATIONEN DAR. WIR BEHALTEN UNS DAS RECHT VOR, JEDERZEIT OHNE VORANKÜNDIGUNG ÄNDERUNGEN VORZUNEHMEN.

LAS FOTOGRAFÍAS E ILUSTRACIONES NO SON VINCULANTES. LOS MATERIALES ESTÁN SUJETOS A CAMBIOS SIN PREVIO AVISO.

KREMLIN - REXSON

150, avenue de Stalingrad

93 245 - STAINS CEDEX - France

☎ : 33 (0)1 49 40 25 25 Fax : 33 (0)1 48 26 07 16

www.kremlin-rexson.com



INSTALLATION AND SAFETY INSTRUCTIONS

TRANSLATION OF THE ORIGINAL MANUAL

IMPORTANT : Before assembly and start-up, please read and clearly understand all the documents relating to this equipment (professional use only).

THE PICTURES AND DRAWINGS ARE NON CONTRACTUAL. WE RESERVE THE RIGHT TO MAKE CHANGES WITHOUT PRIOR NOTICE.

KREMLIN - REXSON

150, avenue de Stalingrad

93 245 - STAINS CEDEX – France

☎ : 33 (0)1 49 40 25 25 *Fax* : 33 (0)1 48 26 07 16

www.kremlin-rexson.com

1. SAFETY INSTRUCTIONS

GENERAL SAFETY INSTRUCTIONS



CAUTION : The equipment can be dangerous if you do not follow our instructions concerning installation and servicing described in this manual and in accordance with applicable European standards and local national safety regulations.

Please carefully read all the instruction literature before operating your equipment.

Only trained operators can use the equipment (To acquire an essential training, please contact the "KREMLIN REXSON University" training center - Stains).

The foreman must ensure that the operator has understood the safety instructions for this equipment as well as the instructions in the manuals for the different parts and accessories.

Read carefully all instruction manuals, label markings before operating the equipment.



















Incorrect use may result in injury. This equipment is for professional use only. It must be used only for what it has been designed for. Never modify the equipment. The parts and accessories supplied must be regularly inspected. Defective or worn parts must be replaced.

Guards (motor cover, coupling shields, connectors,...) have been designed for a safe use of the equipment.
The manufacturer will not be held responsible for bodily injury or failure and / or property damage due to destruction, the overshadowing or the partial or total removal of the guards.

Never exceed the equipment components' maximum working pressure.

Comply with regulations concerning safety, fire risks, electrical regulations in force in the country of final destination of the material. Use only products or solvent compatible with the parts in contact with the material (refer to data sheet of the material manufacturer).

PICTOGRAMS

					
NIP HAZARD	WARNING MOVING ELEVATOR	WARNING MOVING PARTS	WARNING MOVING SHOVEL	DO NOT EXCEED THIS PRESSURE	HIGH PRESSURE HAZARD
					
RELIEF OR DRAIN VALVE	WARNING HOSE UNDER PRESSURE	WEAR GLASSES OBLIGATORY	WEAR OF GLOVES IS OBLIGATORY	PRODUCT VAPOR HAZARDS	WARNING HOT PARTS OR AREAS
					
ELECTRICAL HAZARD	WARNING FIRE HAZARDS	EXPLOSION HAZARDS	GROUNDING	WARNING (USER)	WARNING SERIOUS INJURIES

FIRE - EXPLOSION - SPARKS - STATIC ELECTRICITY HAZARDS

A poor earth connection, inadequate ventilation, sparks or static electricity can cause an explosion or fire. to avoid these risks when using or servicing KREMLIN REXSON equipment, the following safety procedures must be followed :



- ensure a good earth connection and ground the parts to be handled i.e. solvents, materials, components and equipment,
- ensure adequate ventilation,
- keep working area clean and free from waste solvents, chemicals, or solid waste i.e. rags, paper and empty chemicals drums,
- never use electrical switches / power if in an atmosphere of volatile solvent vapour,
- stop working immediately in case of electrical arcs,
- never store chemicals and solvents in the working area.
- use paint whose flash point is the highest possible to prevent from any formation of gas and inflammable vapours (refer to materials' safety instructions),
- install a cover on the drums to reduce the diffusion of gas and vapours in the spraybooth.

TOXIC PRODUCT HAZARDS

Toxic products or vapours can cause severe injury not only through contact with the body, but also if the products are ingested or inhaled. It is imperative :



- to know the material products and their risks,
- notified or hazardous materials must be stored in accordance with the regulations,
- the material must be stored in an appropriate container, never place materials in a container where there is a risk of spillage or leakage,
- a procedure must be applied for the safe disposal of waste material. It must comply with all prevailing regulations and legislations of the country where the equipment is to be used,
- protective clothing should always be worn in compliance with the material manufacturers' recommendations,
- depending on the application and chemical safety instructions, safety glasses, hearing protective earplug, gloves, foot wear, protective masks and possible breathing equipment should be worn to comply with the regulations (Refer to chapter "Safety equipment of KREMLIN selection guide).



CAUTION!



It is forbidden to use material containing high concentrations of halogenated hydrocarbon solvents with **aluminium or zinc fillers** .Non-compliance with the instructions may cause explosion risk causing serious or fatal injury.

EQUIPMENT REQUIREMENTS

Guards (motor cover, coupling shields, connectors,...) have been designed for a safe use of the equipment.

The manufacturer will not be held responsible for bodily injury or failure and / or property damage due to destruction, the overshadowing or the partial or total removal of the guards.

PUMP



Before carrying out any work, it is imperative to read and clearly understand the disassembly and reassembly instructions before servicing. The operator must understand the equipment and the safety instructions. These instructions are available in the equipment manuals.



The air motor is designed to be mounted with a pump. Never modify any components or couplings. When operating, please keep hands away from moving parts. Before starting up the equipment, please read the PRESSURE RELIEF instructions. Please ensure that any relief or drain valves fitted are in good working order.

HOSES

- Keep hoses out of circulation areas, moving parts or hot surfaces,
- Never expose product hoses to temperature higher than + 60°C / 140° F or lower than 0°C / 32° F,
- Never pull or use the hoses to move the equipment,
- Tighten all fittings as well as the hoses before operating the equipment,
- Check the hoses regularly; change them if they are damaged,
- Never exceed the working pressure (WP) indicated on the hose.

USED PRODUCTS

Considering the wide variety of products that are available and can be used in our equipment it is impossible to check and make recommendations for all chemical data, regarding the risks of possible chemical attack and their long term chemical reaction

KREMLIN REXSON can not be held liable for :

- Compatibility of wetted parts,
- Risks to staff and the surroundings,
- for worn or defective parts, for faulty equipment or units, or the quality of final product.

It is the responsibility of the user to know and prevent any possible risks such as toxic vapours, fires or explosions. He shall determine the risks of immediate reactions or pursuant to repeated exposures of the staff,

KREMLIN REXSON shall not be liable for physical injuries, direct or indirect material damages caused by the use of chemicals.

2. HANDLING



Check the weight and the dimensions of the equipment

(☞ refer to 'Technical features' section of the instruction manual

If weight and dimensions are too important, the unloading must be carried out by means of a forklift or any other appropriate means with a qualified personnel and in a clear horizontal area to prevent from risks of damage injury or an accident.

The centre of gravity is not in the centre of the machine : carry out by hand a stability-test after having lifted the whole at 10 cm / 3.937" maximum.

After the unloading, the handling of the whole (eg: elevator pump) is carried out by means of a pallet truck taking the bottom part of the frame.

Remark : Each pump motor is fitted with a ring. The ring is designed for the hoisting of one pump and can not be used for the handling of the complete machine.

3. STORING

Storing before installation :

- Storing ambient temperature : 0 / +50 °C / 0 / +122°F
- Protect the whole against dust, water trickling, dampness and shocks.

Storing after installation :

- Operating temperature : +15 / +35 °C / +59 / +138.2° F
- Protect the whole against dust, water trickling, dampness and shocks.

4. INSTALLATION OF THE EQUIPMENT

The machine is installed on a stable horizontal floor (for eg a concrete flag).



To avoid risks caused by static electricity, the equipment as well as its components must be grounded.

- **For the pumping equipments** (pumps, pneumatic rams, frame...), a section wire of 2.5 mm² is fixed on the material. Use this wire to connect the material to "the general ground". In case of severe environments (mechanical protection of the wire of earthing insufficient, vibrations, mobile material...) where function damages at the ground are probable, the user have to replace the provided wire of 2.5 mm² by a device more adapted to its environment (wire with a more important section, bonding strip, fixing by thimble with eyelet...),

The continuity of the ground must be controlled by a qualified electrician. If the continuity of the ground is not ensured, check the terminal, the wire and the earthing point. **Never** use the material without have solved this problem.

- In the severe cases of environments (mechanical protection of the wire of earthing insufficient, vibrations, mobile material...) where damages of the function put at the ground are probable, the user will have to replace the wire of 2.5 mm² provided, by a device more adapted to its environment (wire of more important section, bonding strip, fixing by thimble with eyelet...),
- **The gun** must be 'grounded' via a material hose or an air hose. In case of spraying by means of a gun with cup, the air hose must be conductive,
- **The materials to be painted** must also be grounded.

All the materials situated in the working area shall be grounded.



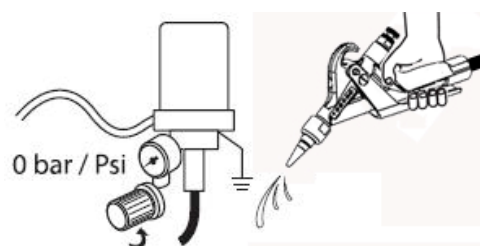
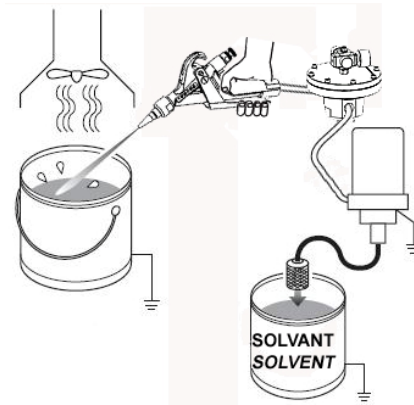
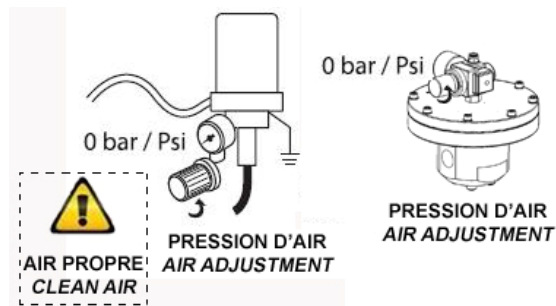
- **Never store** more than necessary inflammable materials inside the working area,
- The materials must be stored into **approved drums** and grounded,
- Use only grounded **metals containers** for the use of cleaning solvents,
- **Cardboard and paper are prohibited.**

5. MARKING OF THE EQUIPMENT

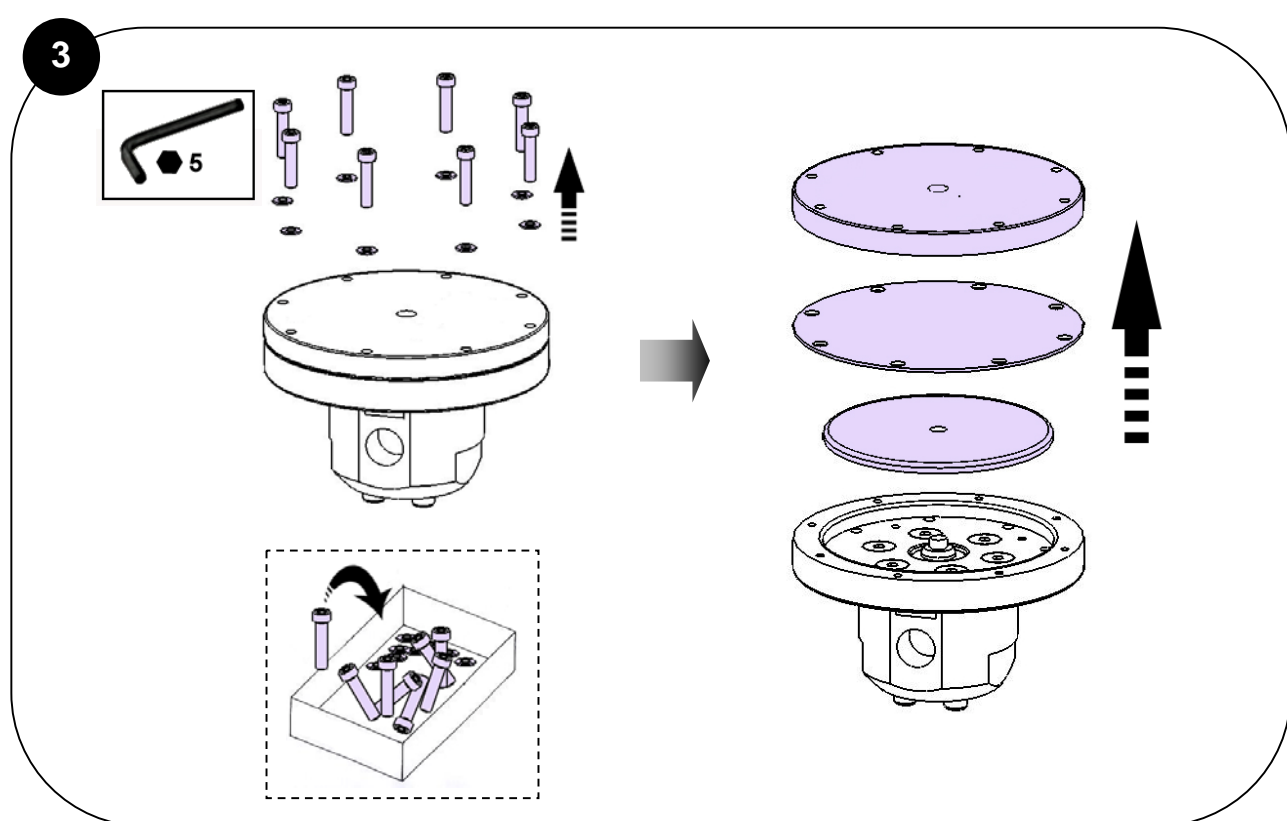
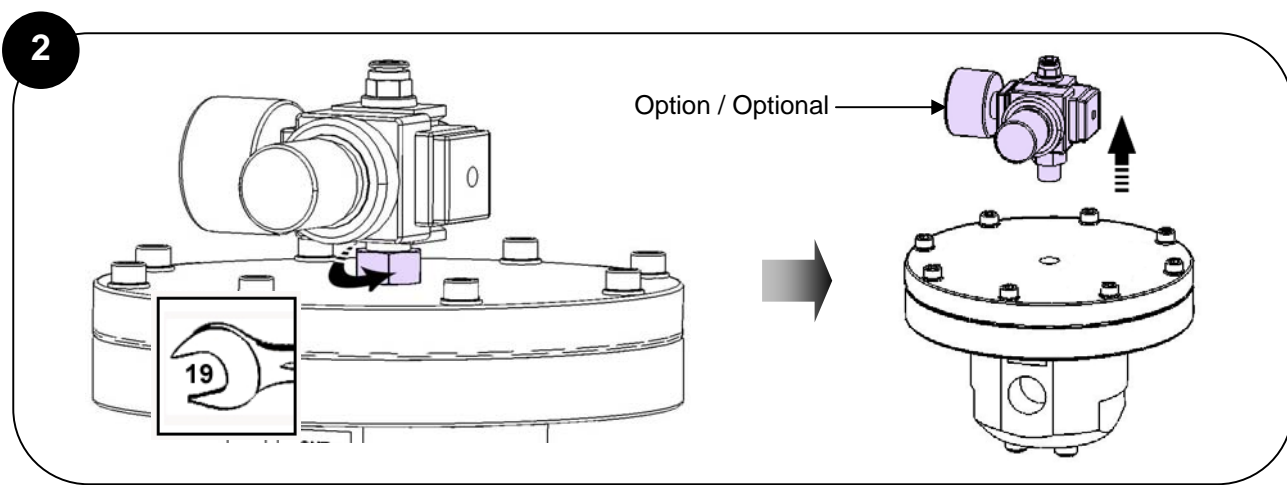
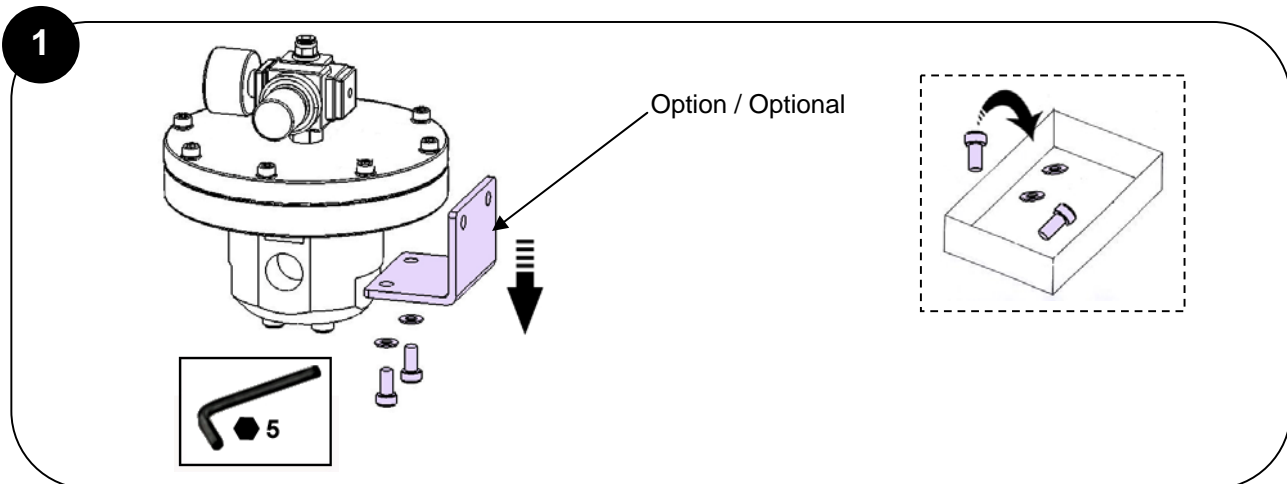
Each equipment has a marking plate.

The plate consists of the name of the manufacturer, the equipment part number and important information for correct use of the equipment (air pressure, electric power,...).

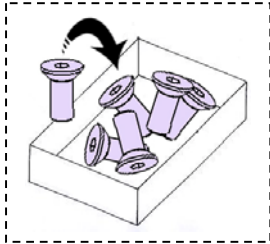
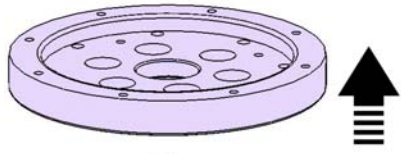
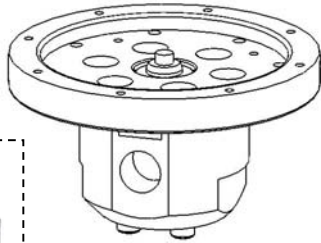
VOUS AVEZ BESOIN DE / YOU NEED :



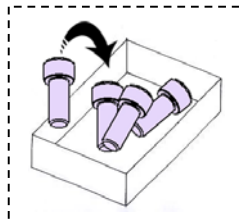
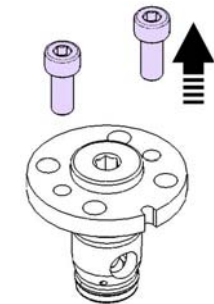
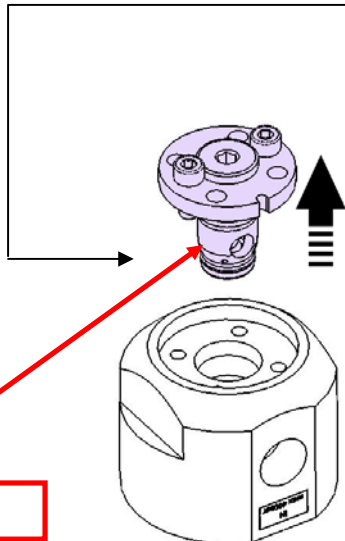
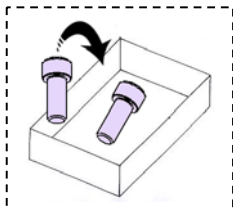
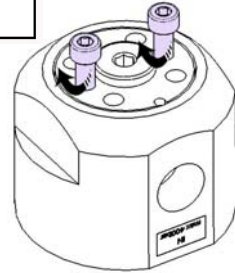
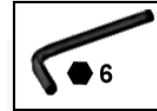
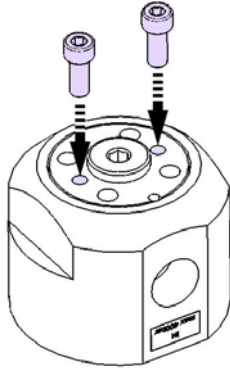
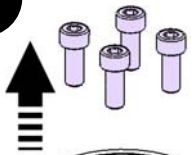
**Décompresser le circuit produit
Decompressurize the material**



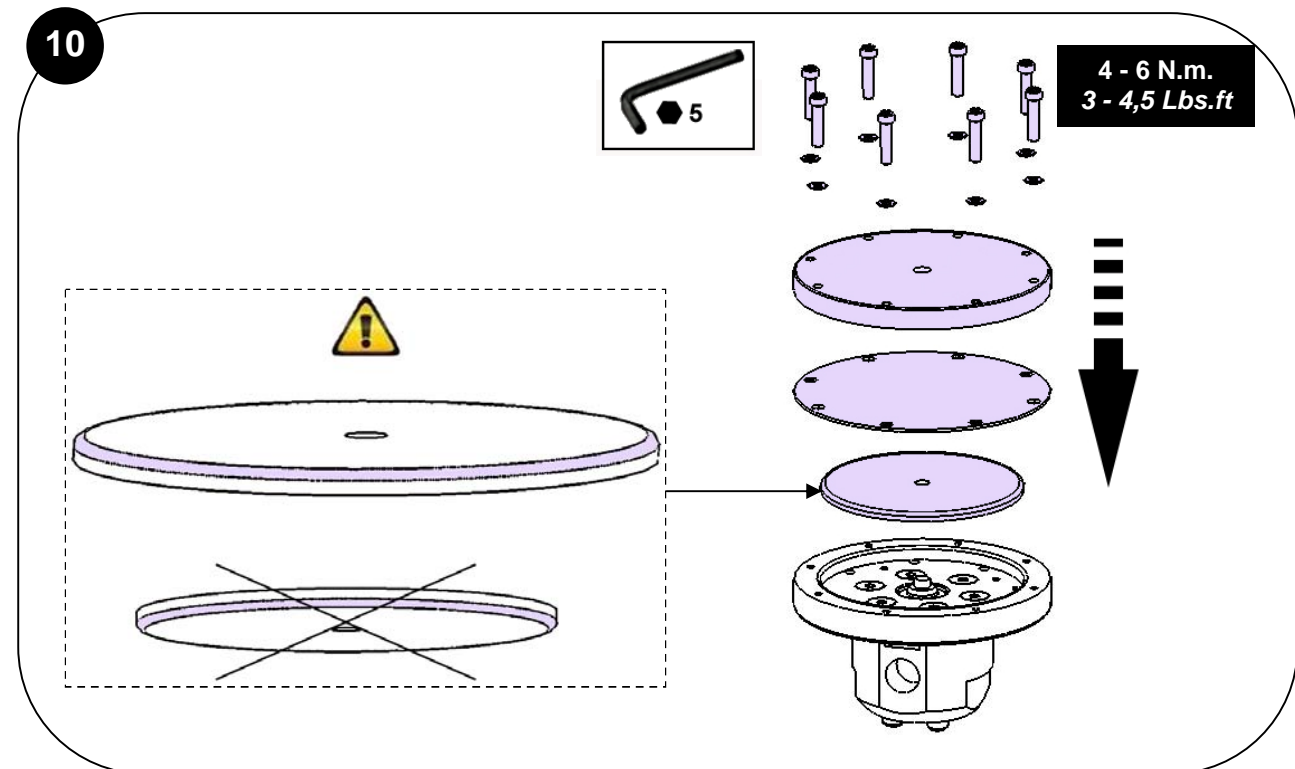
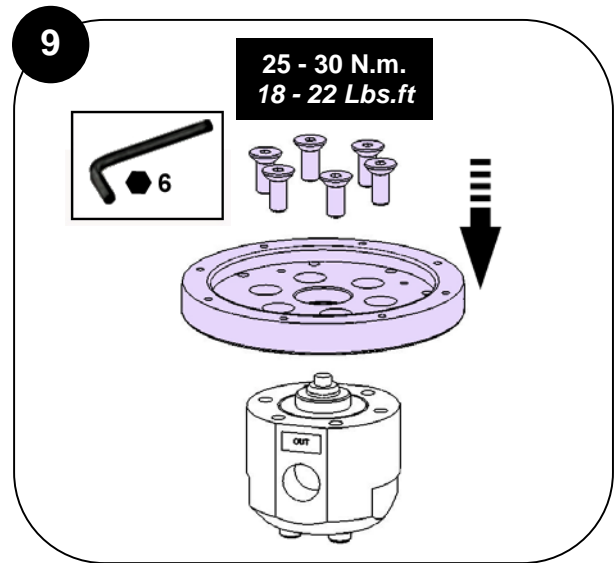
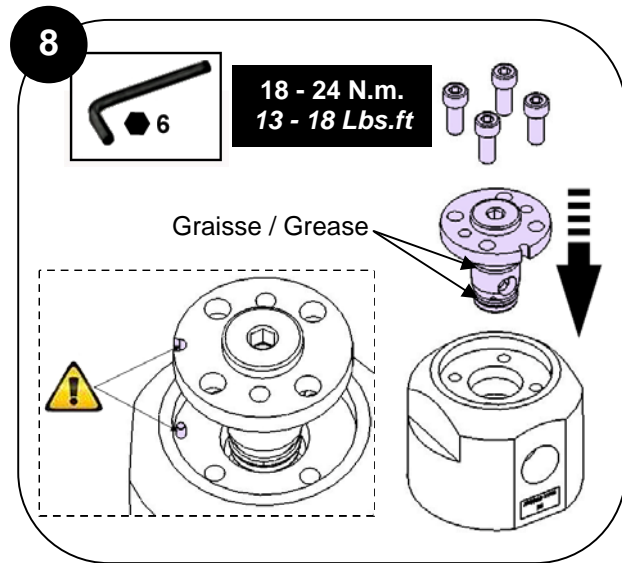
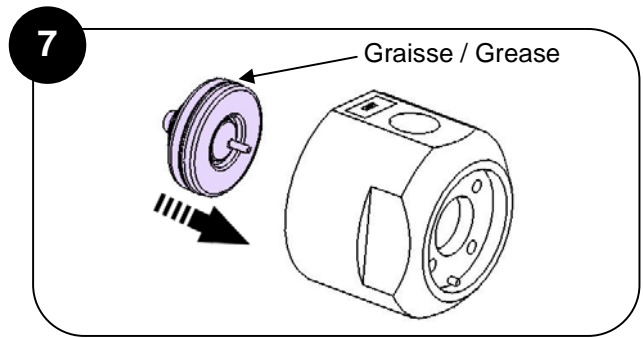
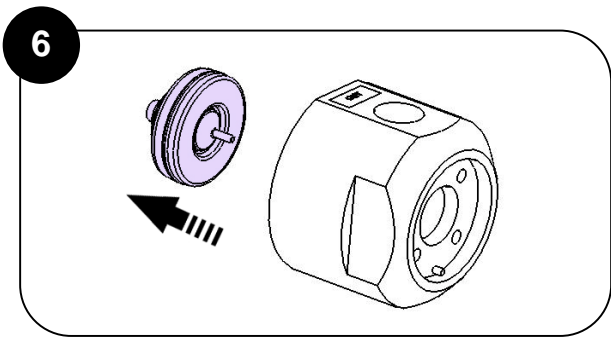
4



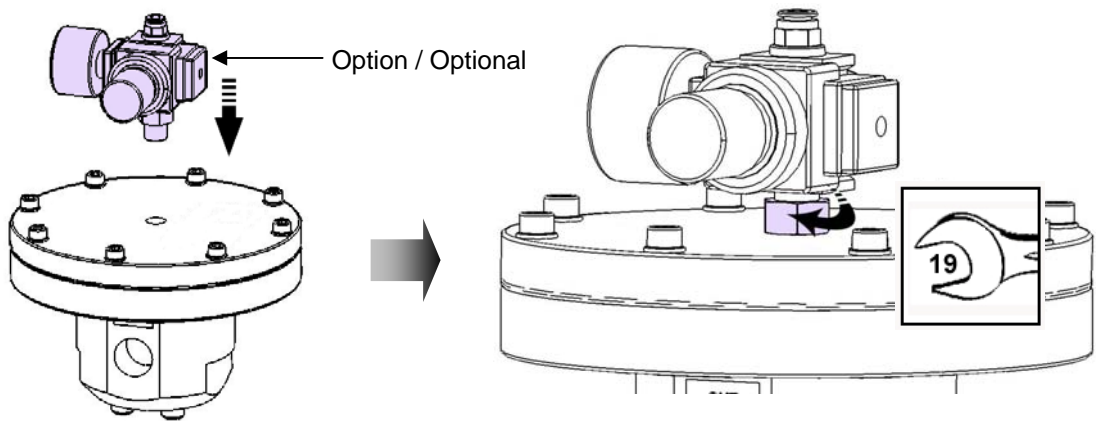
5



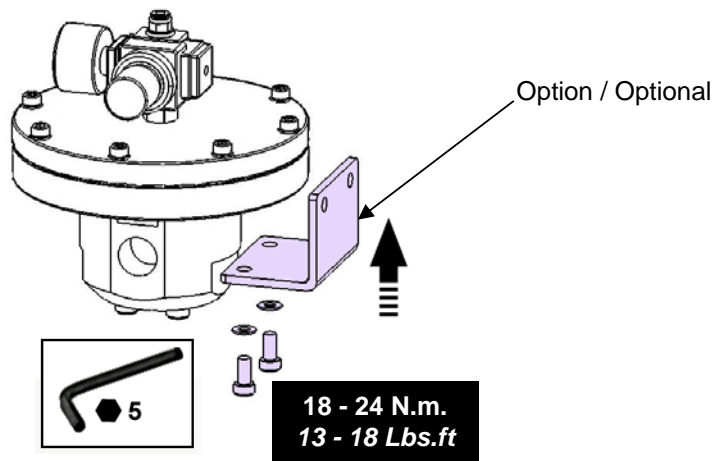
Voir / Refer to p.6-7



11

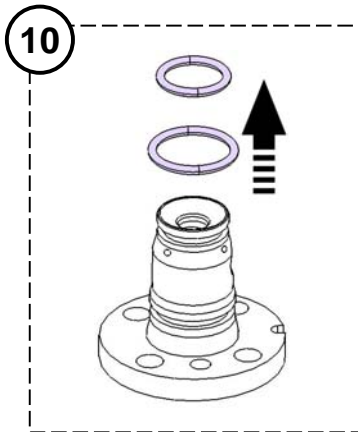
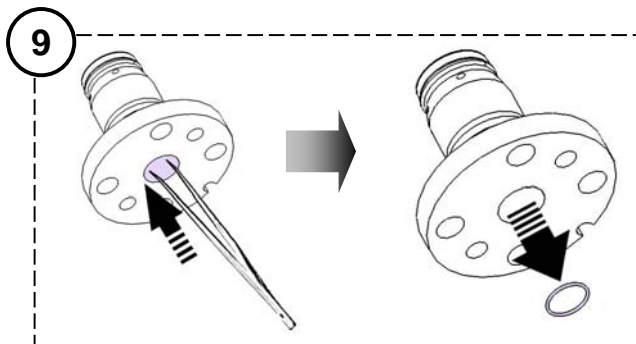
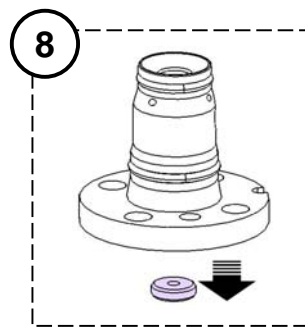
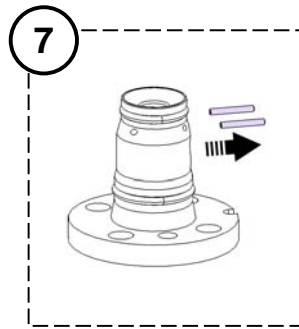
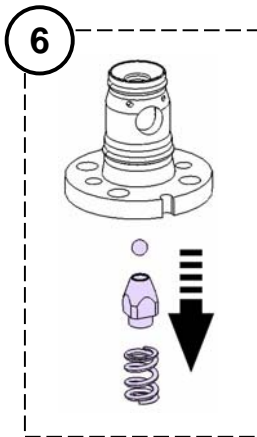
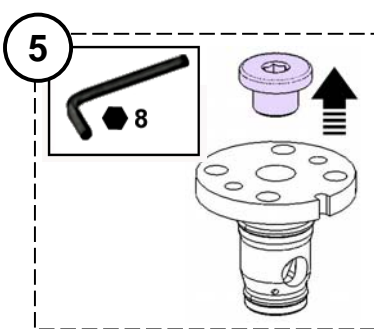
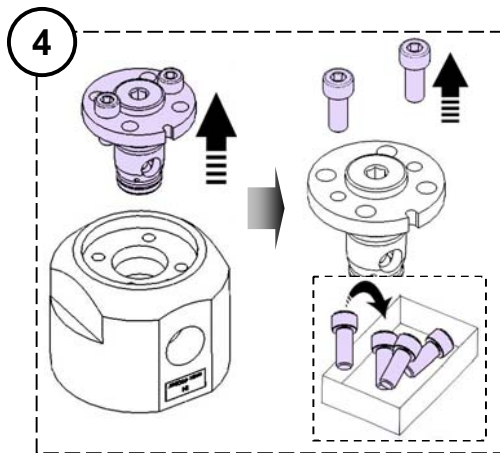
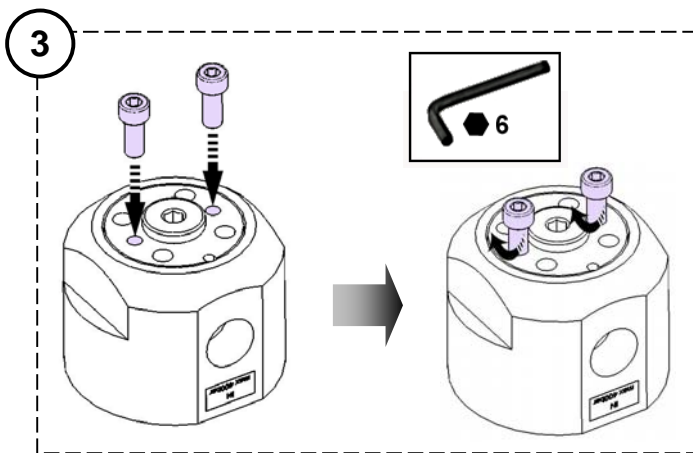
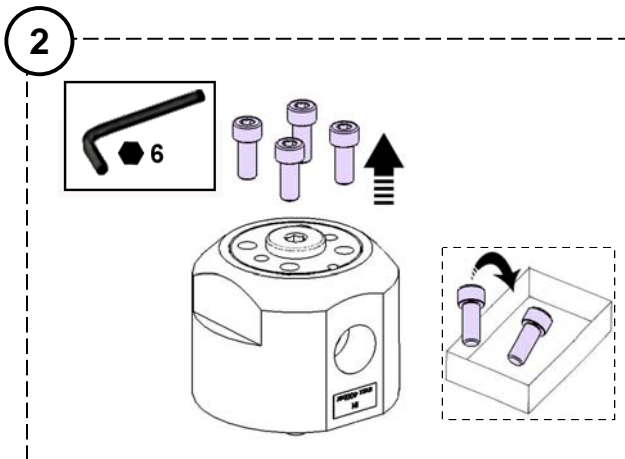
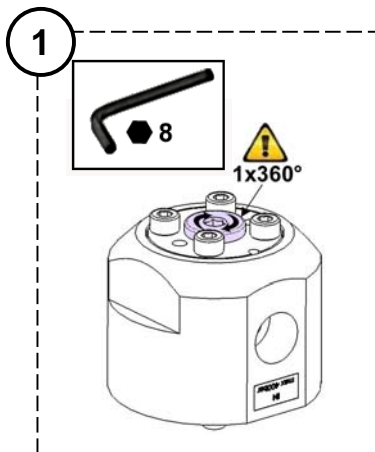


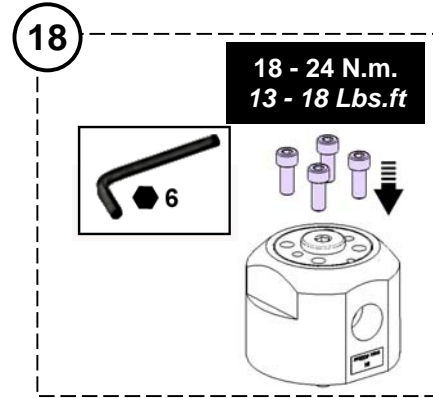
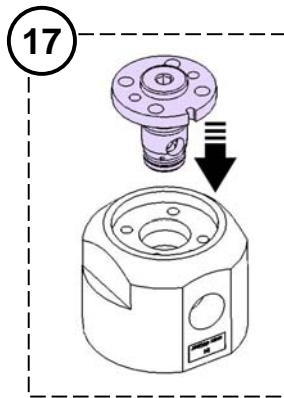
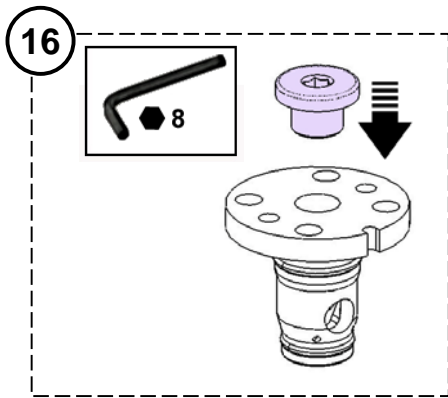
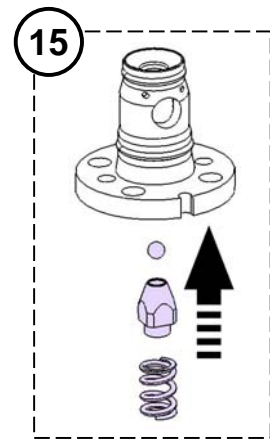
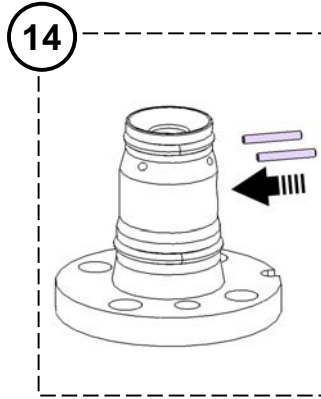
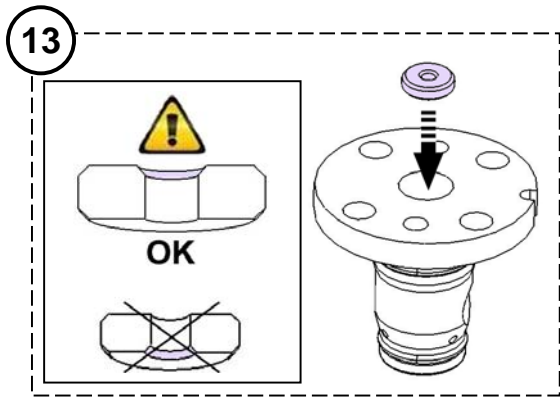
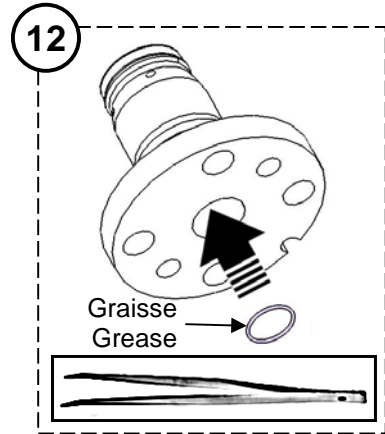
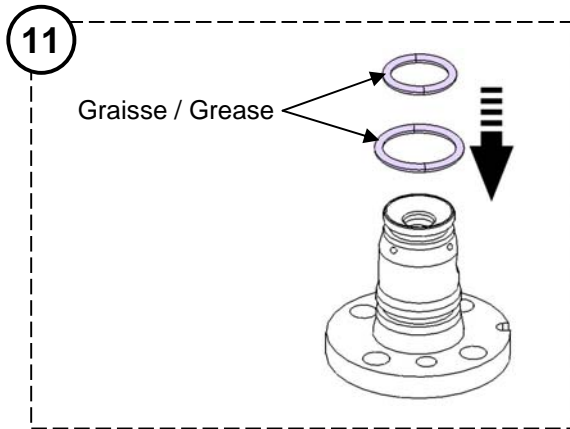
12




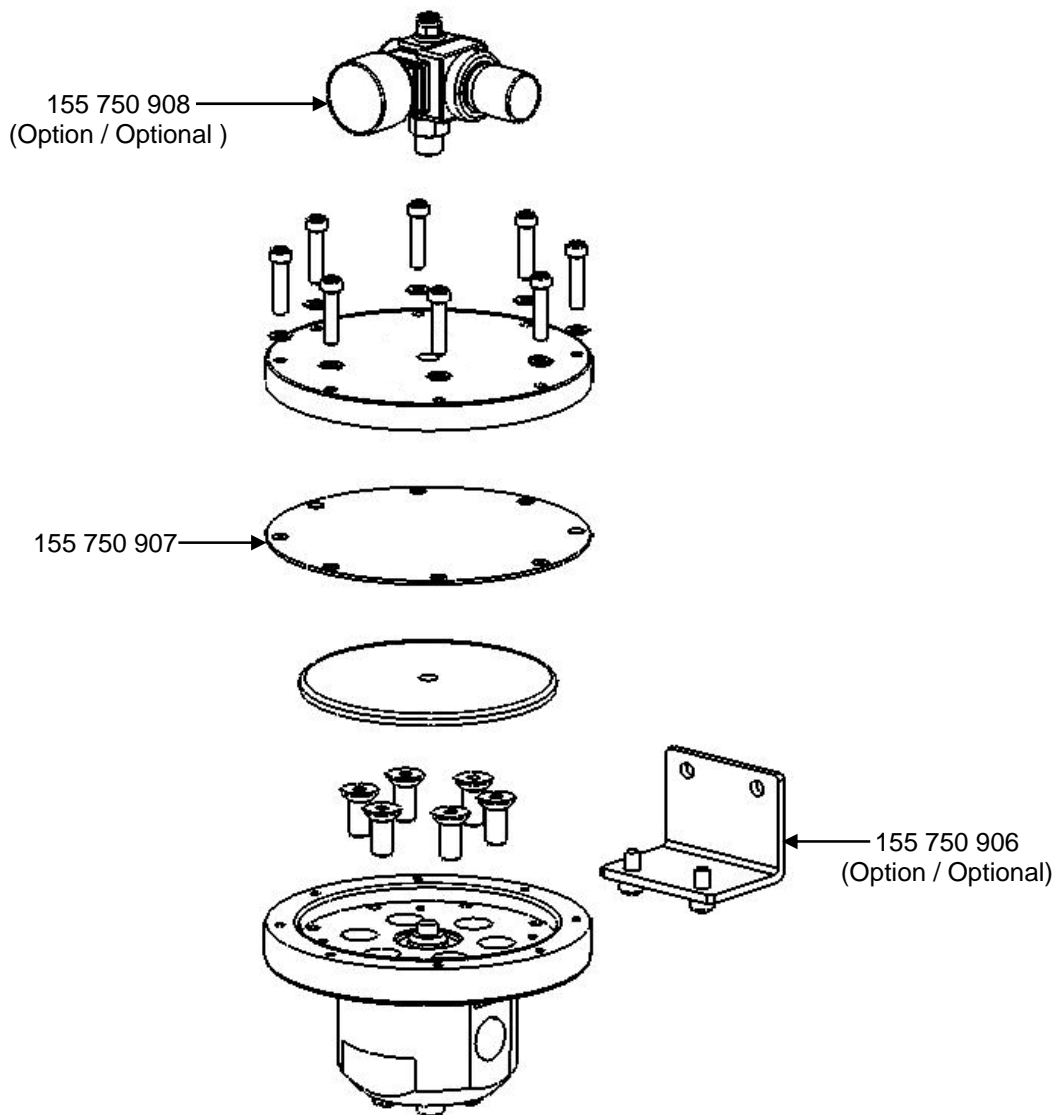
**Ce matériel ne doit en aucun cas être modifié.
Le non-respect de cette préconisation ne saurait engager notre responsabilité.**

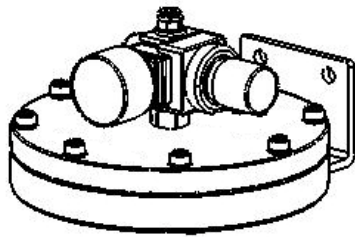
***This material can not be modified.
KREMLIN REXSON will not be held responsible for any failure to comply with that instruction.***



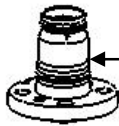



	Bille / Ball Ø	Aluminium #	Inox / Stainless steel #
	6 mm / 0.23 in.	155 750 000	155 751 000
	8 mm / 0.32 in.	155 750 100	155 751 100
	12 mm / 0.46 in.	155 750 200	155 751 200



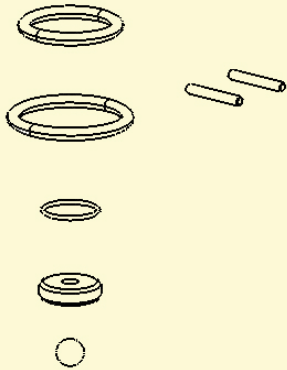
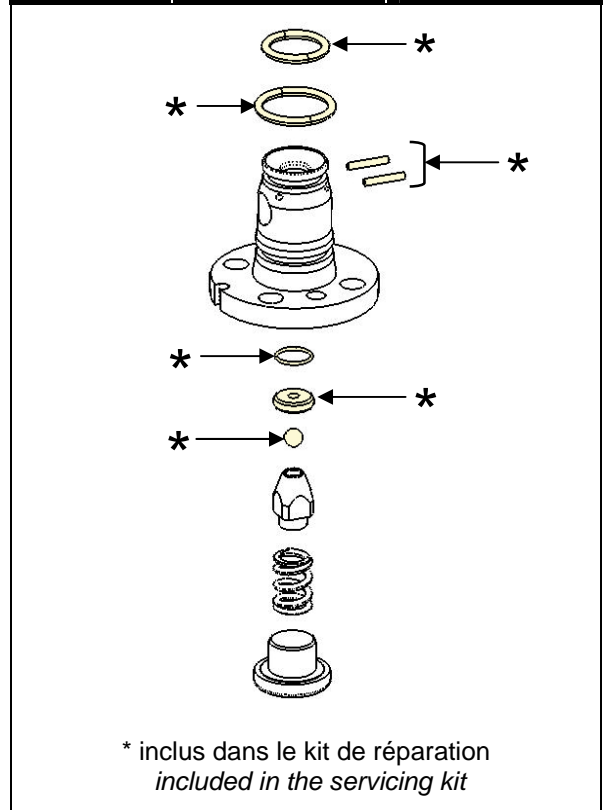


155 750 909



	Bille / Ball Ø	#
	6 mm / 0.23 in.	155 750 903
	8 mm / 0.32 in.	155 750 904
	12 mm / 0.46 in.	155 750 905

Kit de réparation / Servicing kit	
Bille / Ball Ø	#
6 mm / 0.23 in.	155 750 900
8 mm / 0.32 in.	155 750 901
12 mm / 0.46 in.	155 750 902

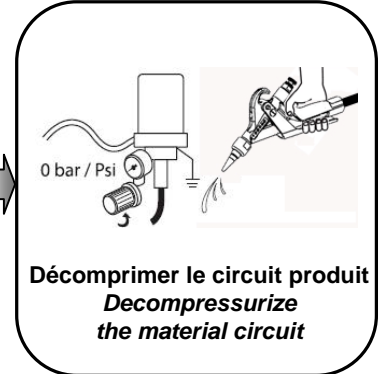
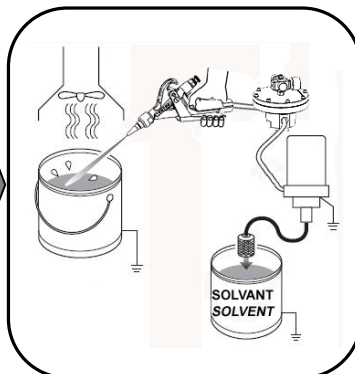
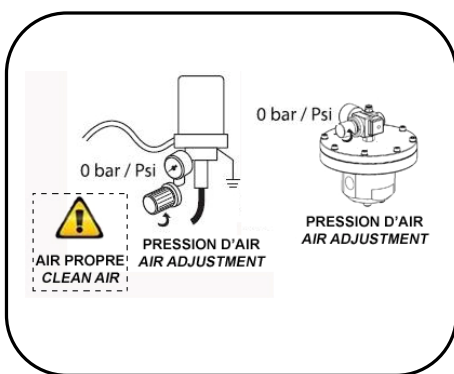



MAINTENANCE PREVENTIVE PREVENTIVE MAINTENANCE

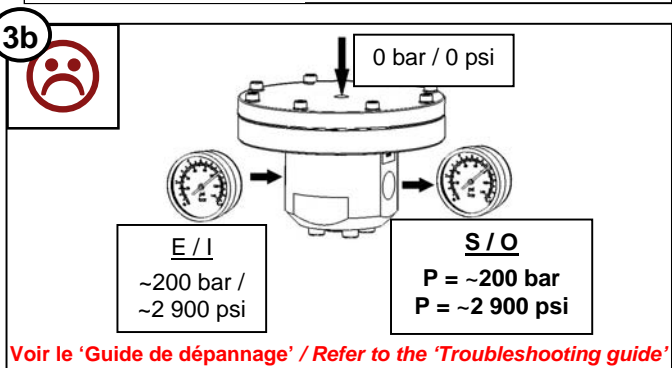
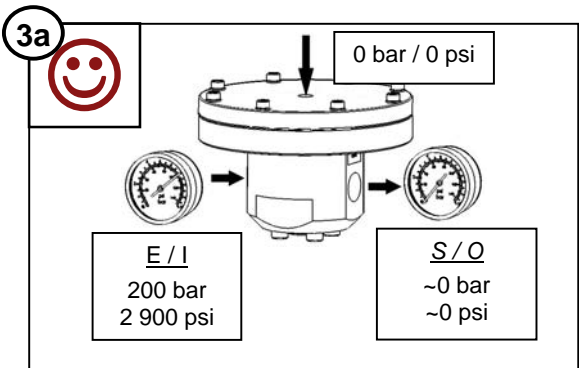
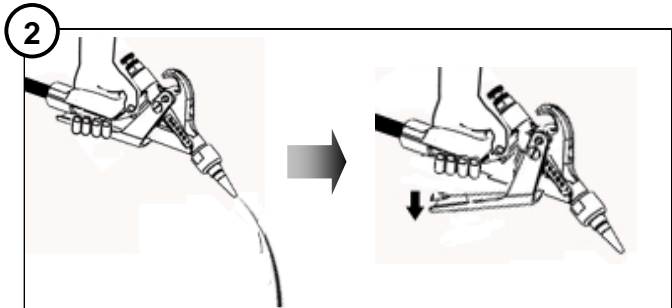
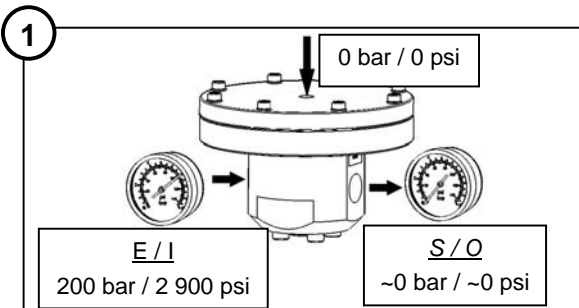
Régulateur de pression produit Fluid pressure regulator



**AVANT CHAQUE OPERATION DE MAINTENANCE / DO THIS BEFORE ANY MAINTENANCE ACTION
ET TOUTES LES SEMAINES / AND WEEKLY TASKS**



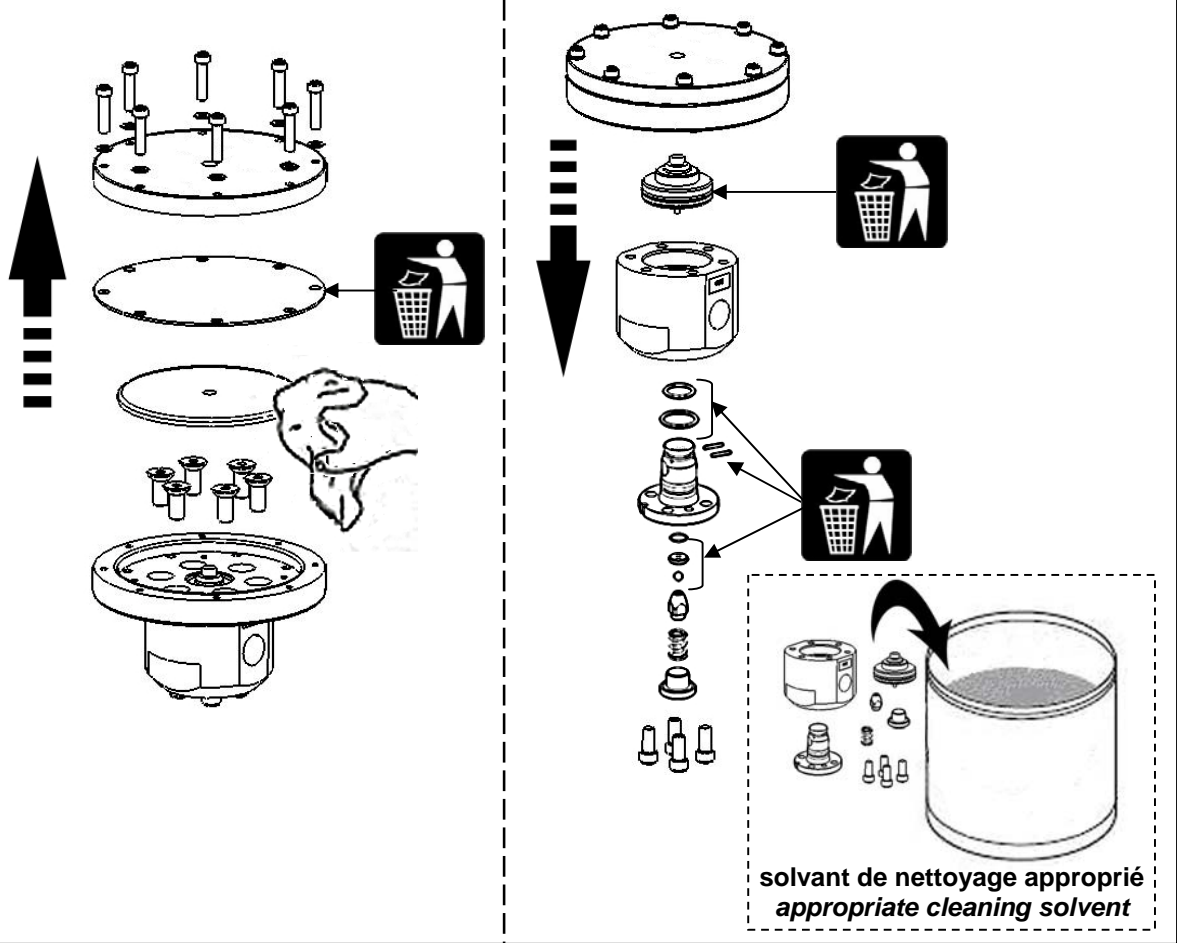
TOUS LES 6 MOIS / HALF-YEARLY SERVICE



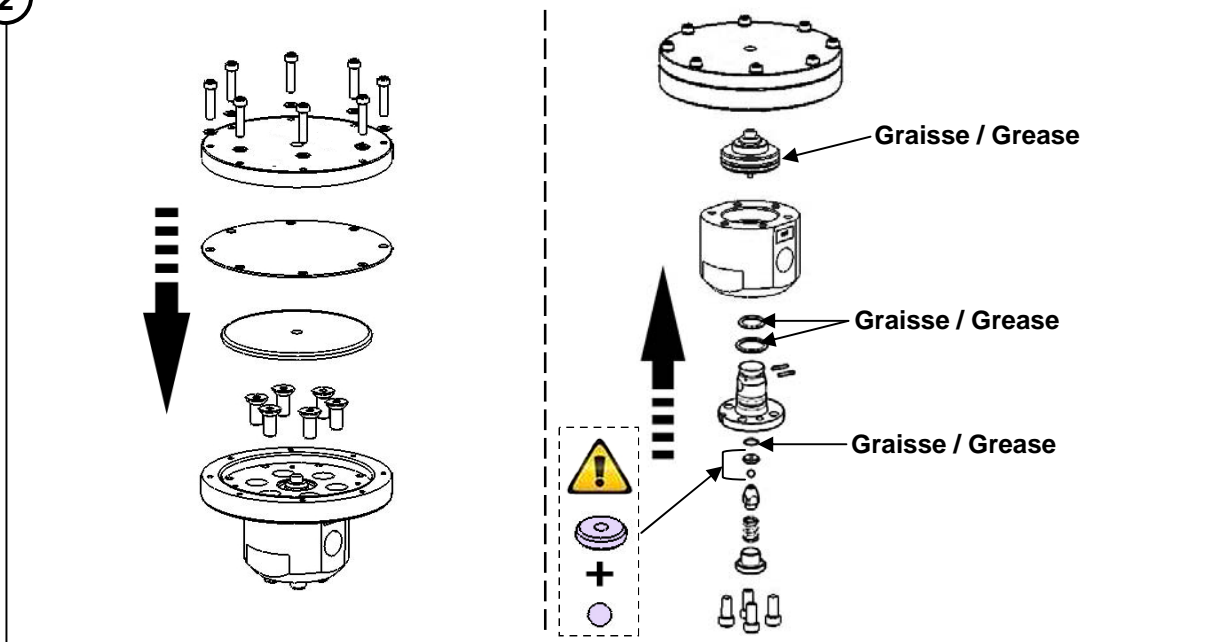
Voir le 'Guide de dépannage' / Refer to the 'Troubleshooting guide'

TOUS LES ANS / YEARLY SERVICE

1



2

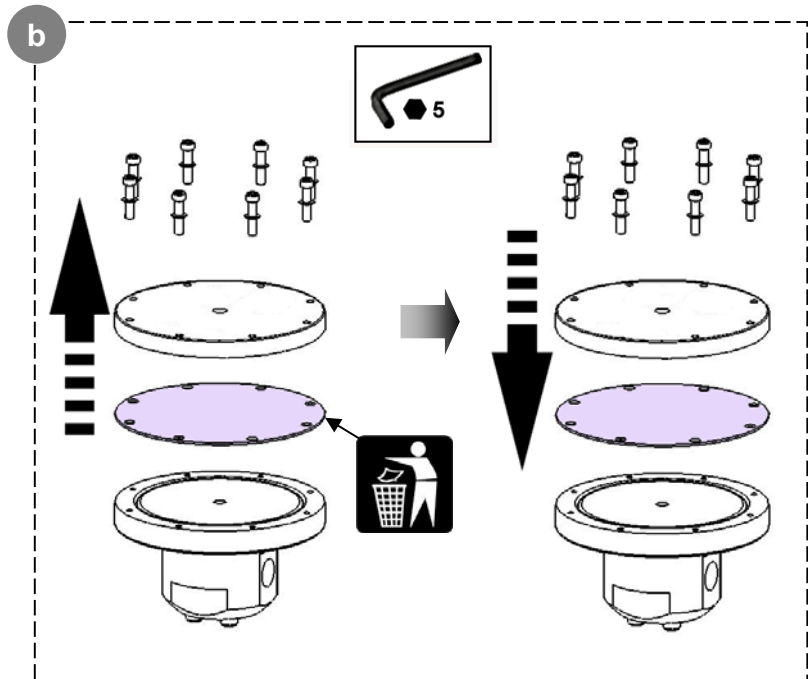
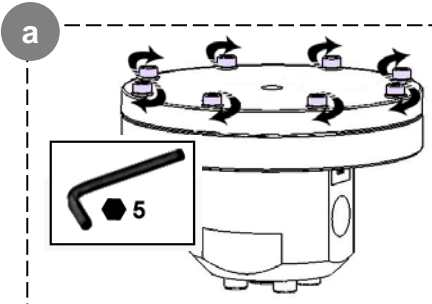
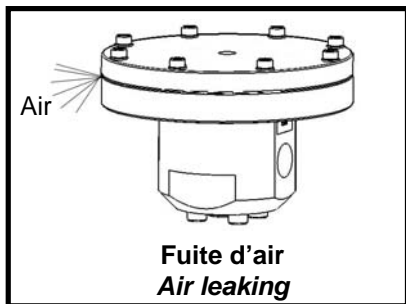
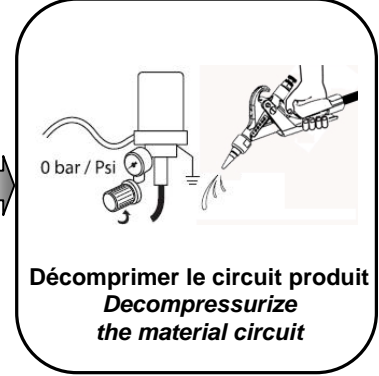
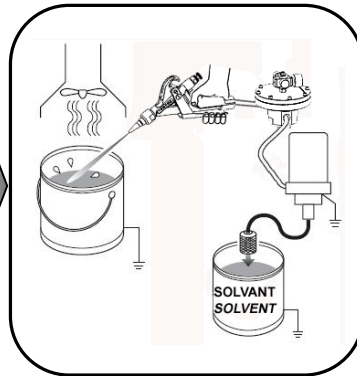
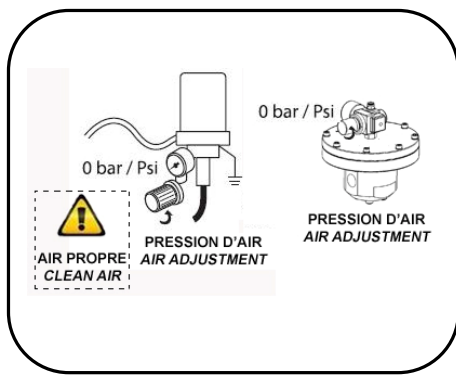


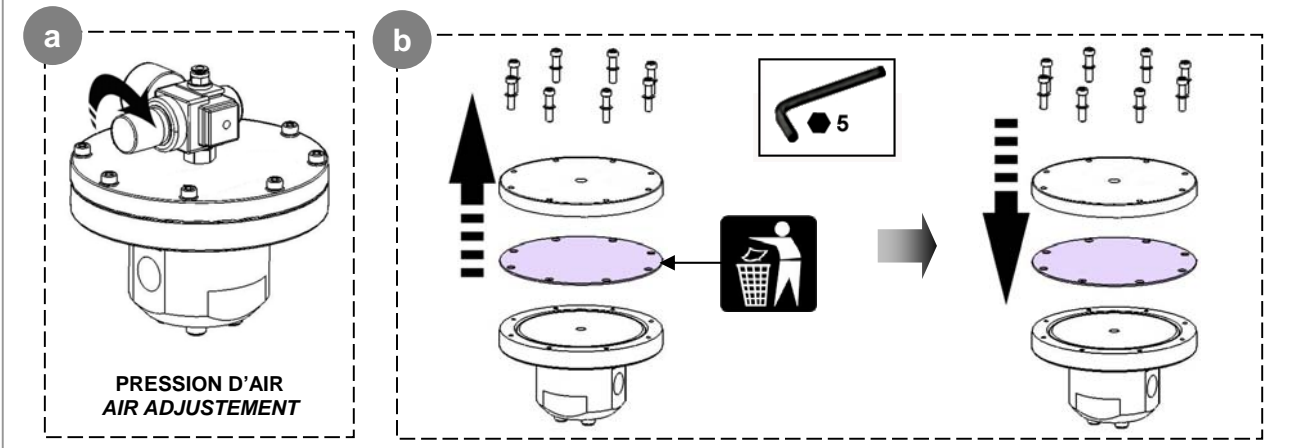
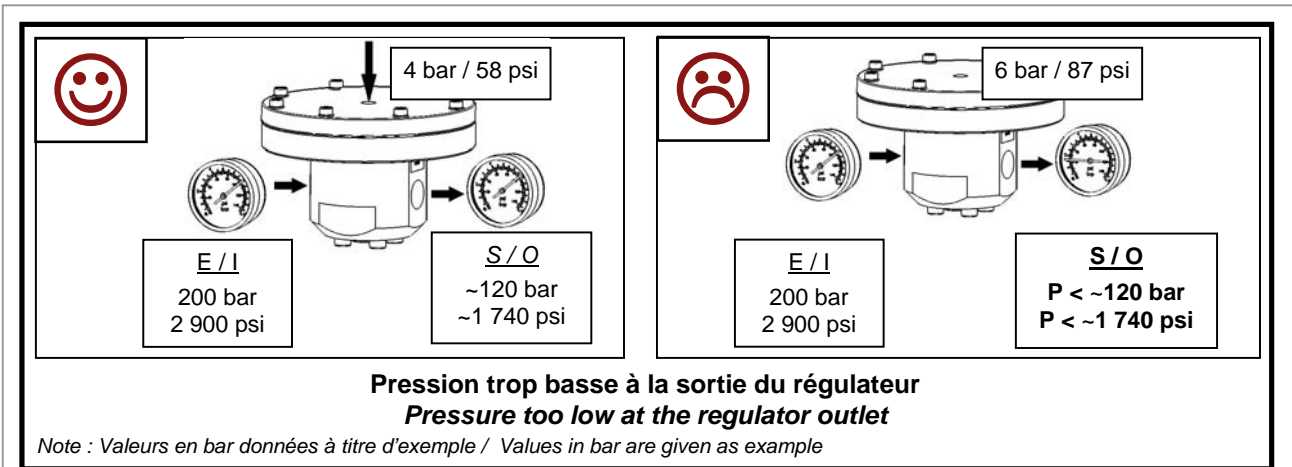
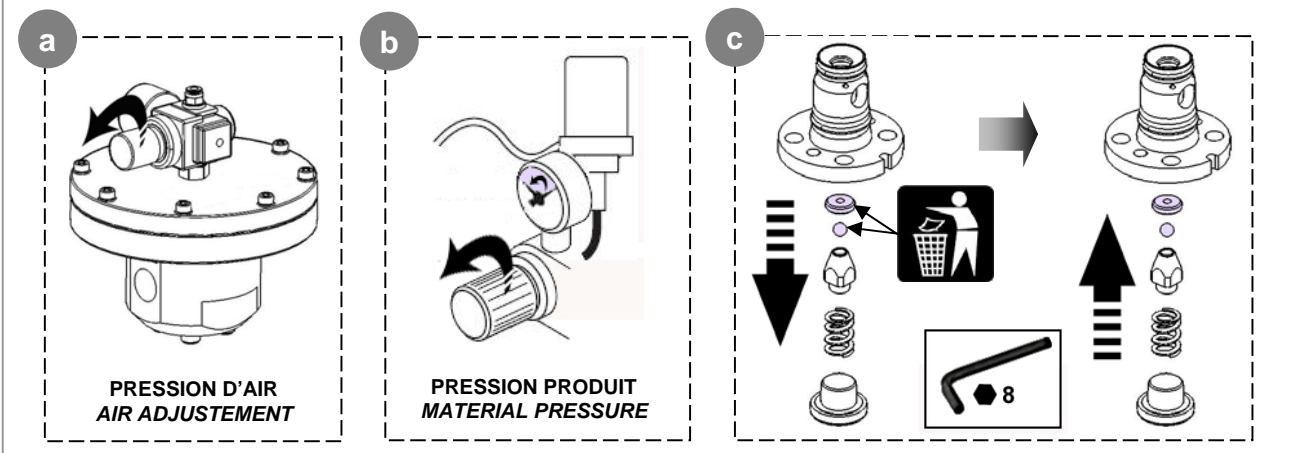
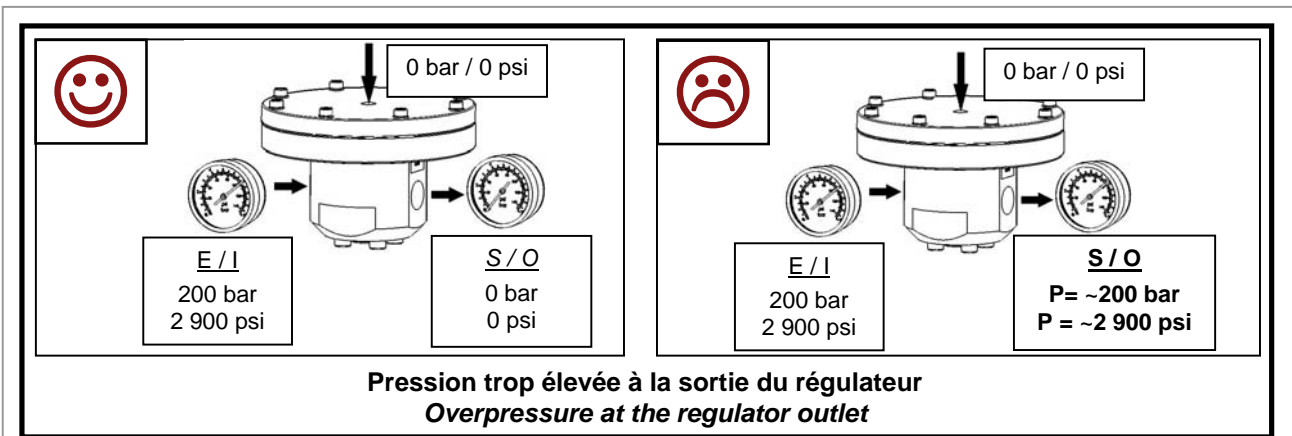
GUIDE DE DEPANNAGE TROUBLESHOOTING

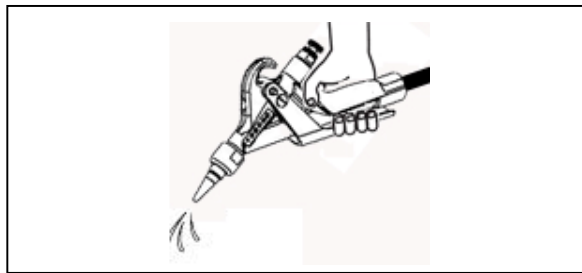
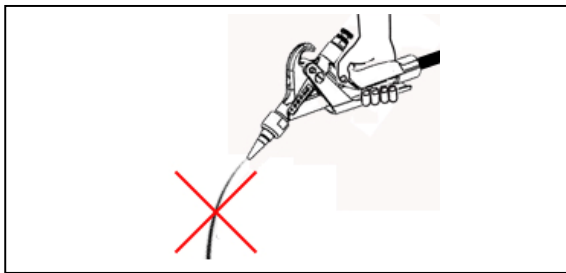
Régulateur de pression produit Fluid pressure regulator



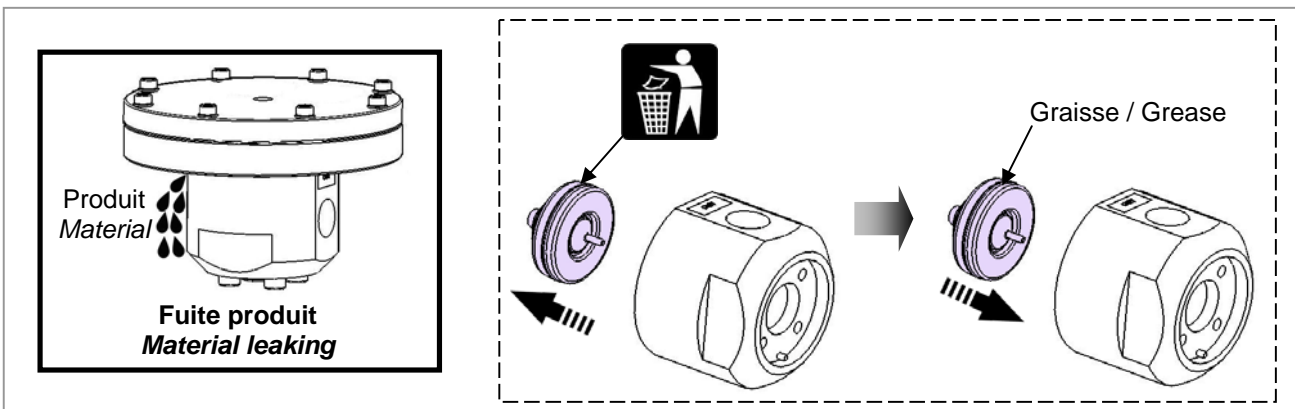
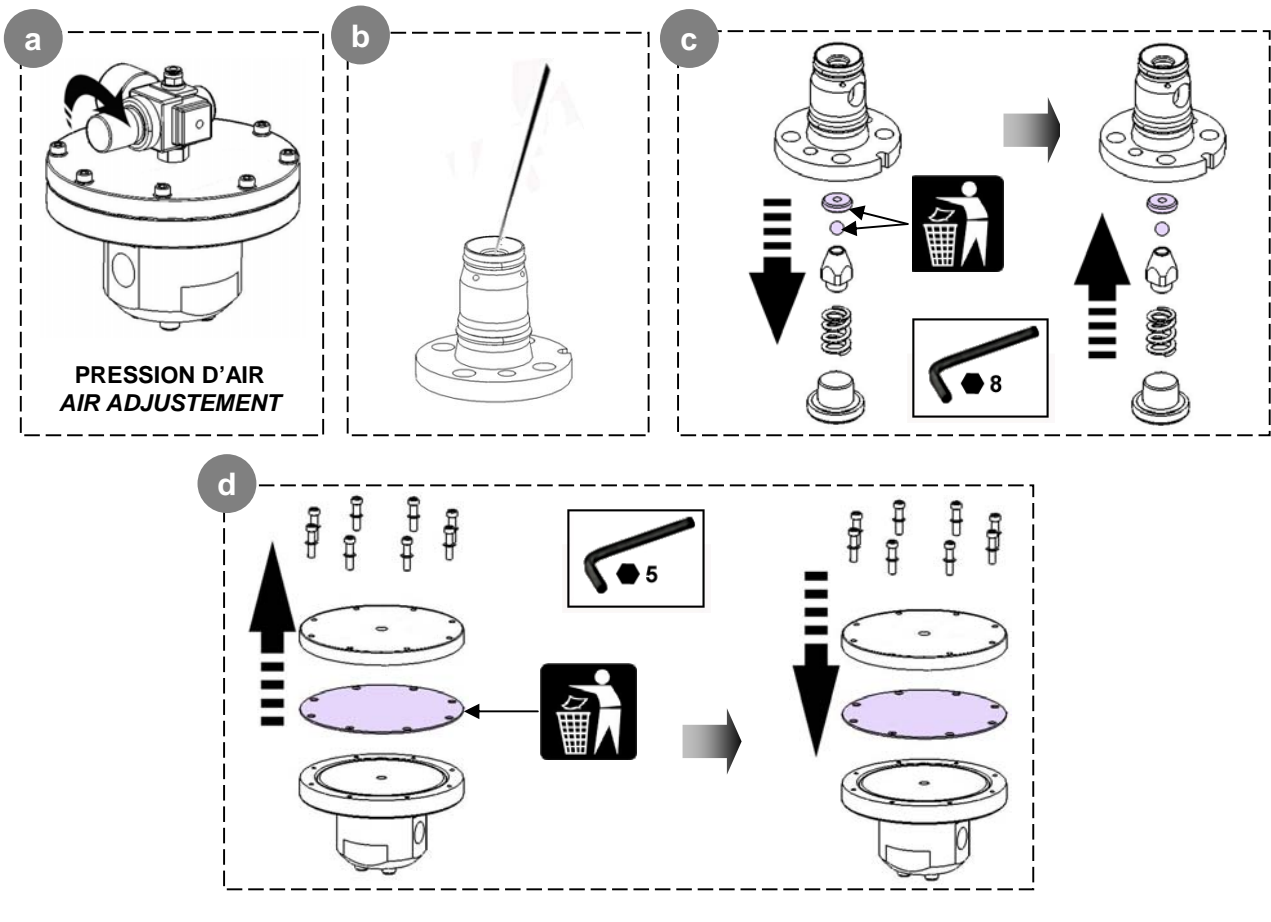
AVANT CHAQUE OPERATION DE MAINTENANCE / DO THIS BEFORE ANY MAINTENANCE ACTION

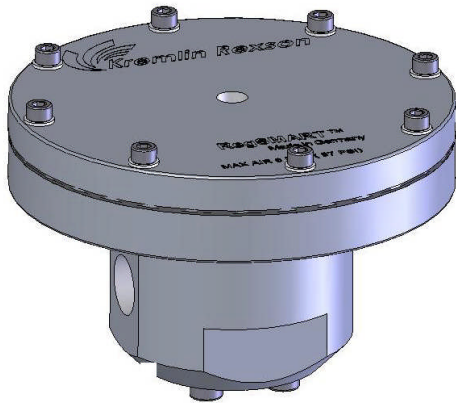






Pas de débit ou débit faible à la sortie du régulateur
No flow or low flow rate at the regulator outlet





FLUID PRESSURE REGULATOR

RegSMART™

Technical features

TRANSLATION OF THE ORIGINAL MANUAL

IMPORTANT : before storage, assembly and start-up, please read and clearly understand all documents relating to this equipment (professional use only).

PICTURES AND DRAWINGS ARE NON CONTRACTUAL. WE RESERVE THE RIGHT TO MAKE CHANGES WITHOUT PRIOR NOTICE.

KREMLIN - REXSON

150, avenue de Stalingrad

93 245 - STAINS CEDEX – France

☎ : 33 (0)1 49 40 25 25 Fax : 33 (0)1 48 26 07 16

www.kremlin-rexson.com

1. DESCRIPTION

The fluid pressure regulator RegSMART™ can be used on installations :

- under low, medium or high pressure,
- for fluid, semi-fluid or viscous materials.

2 versions of the fluid pressure regulator RegSMART™ are available : Aluminum or stainless steel.

The modular ball and seat cartridge configuration are available in 3 different diameters (6mm / 0.23 in., 8mm / 0.32 in. or 12mm / 0.46 in.), this allows you to achieve precise material regulation and flow control.

This regulator is designed for easy flushing.

This regulator is an air operated regulator : adjustment of material fluid pressure on the regulator is controlled by adjusting the air pilot pressure. Please note that the air pilot must be adjusted by using a precision air regulator to achieve a constant control of material regulation.

The pressure regulator is mounted in the fluid circuit between the pump fluid outlet and the gun or dispensing valve fluid inlet, enabling you to accurately control the material pressure/flow to the gun or dispense valve.

2. TECHNICAL FEATURES

Pressure range : - Inlet pressure - Outlet pressure (regulated range) - Air pressure	Max. 400 bar / 5800 psi. From 25 bar min. to 275 bar max. Max. 6 bar / 87 psi.	
Fittings : - Fluid inlet (I) - Fluid outlet (O) - Air inlet	F G 3/4" F G 3/4" F G 1/4"	
Flow rate : - Low flow rate up to 15 cm ³ /s (valve ball 6 mm / 0.23") - Medium flow rate up to 50 cm ³ /s (valve ball 8 mm / 0.32") - High flow rate up to 150 cm ³ /s (valve ball 12 mm / 0,46")	0,9 l/min* 3 l/min* 9 l/min*	
Wetted part	Aluminium version	Stainless steel version
	Aluminium / Stainless steel / PTFE / FFKM	Stainless steel / PTFE / FFKM
Weight (kg / lb)	Aluminium version	Stainless steel version
	4 Kg / 8.8 lb	5.7 Kg / 12.5 lb
Maximum temperature	80°C / 176° F	

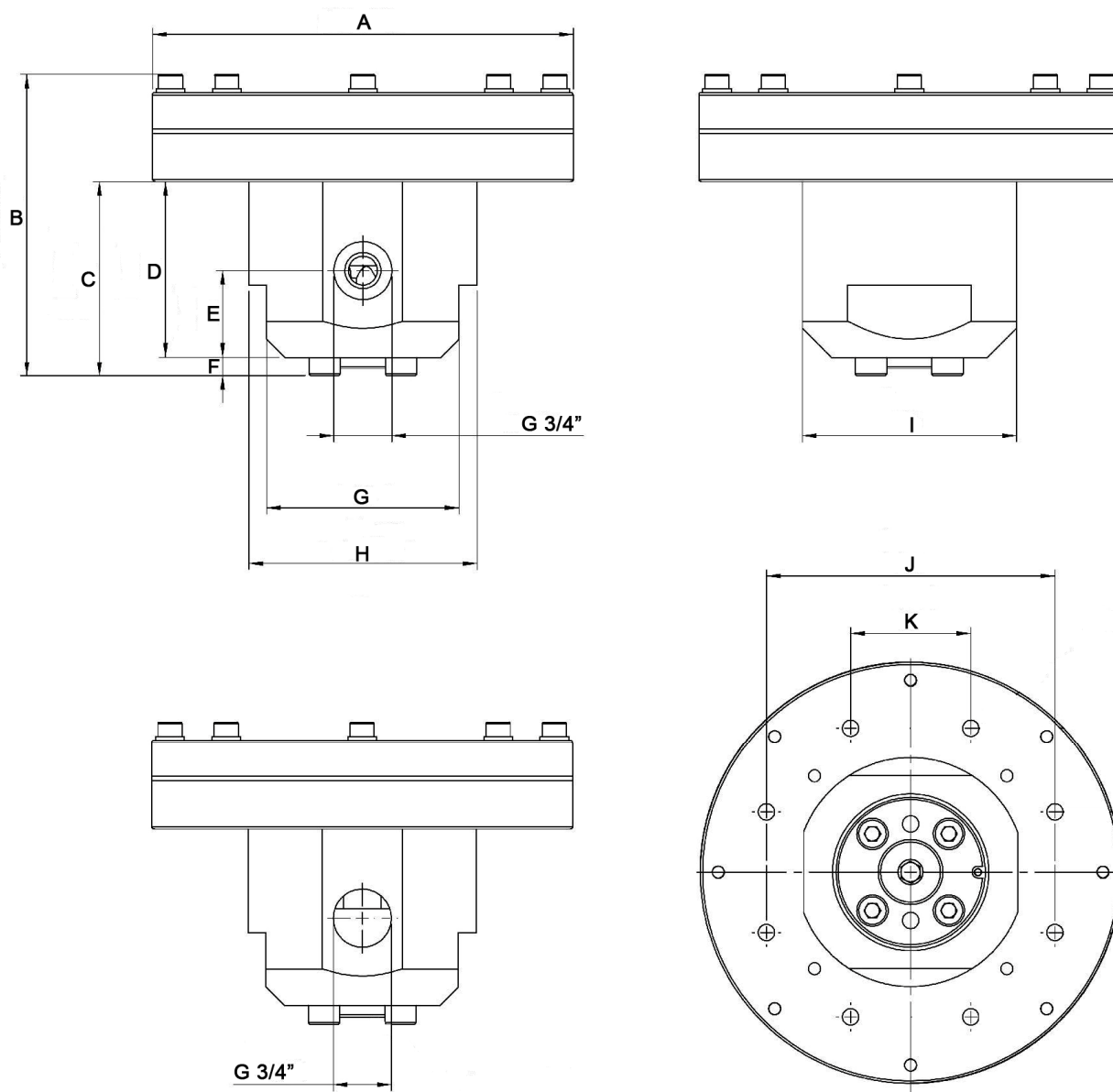
* Depending on the material

■ CORRECT HOSE SELECTION

Please ensure that you select the appropriate hose based on - the material viscosity - the hose length and the required flow rate.

Note : for high length hose or for materials with important viscosity, a higher diameter hose is required.

▪ DIMENSIONS



Ind.	mm	in.	Ind.	mm	in.	Ind.	mm	in.	Ind.	mm	in.
A	Ø 175 (± 0,5)	6,89 (± 0,02)	D	73	2,87	G	80	3,15	J	120	4,72
B	120 (± 1)	4,72 (± 0,04)	E	36	1,42	H	Ø 95 (± 0,5)	Ø 3,74 (± 0,02)	K	50	1,97
C	81	3,19	F	8	0,3	I	89	3,50			