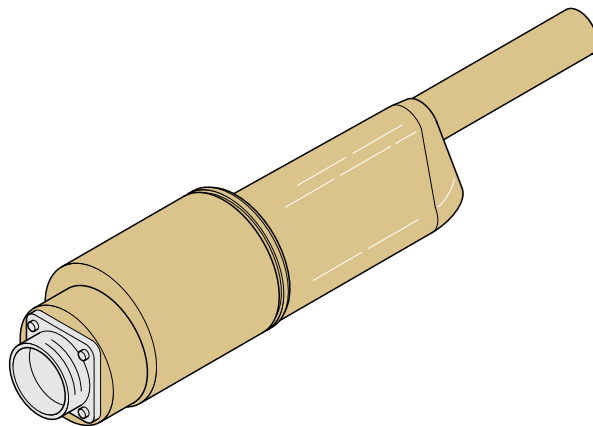




From February 1st, 2017 SAMES Technologies SAS becomes SAMES KREMLIN SAS  
A partir du 1/02/17, SAMES Technologies SAS devient SAMES KREMLIN SAS



DES00128

# User manual

## UHT 153 «US type»

FRANCE **SAMES S.A.** 13 Chemin de Malacher 38243 Meylan Cedex  
Tel. 33 (0)4 76 41 60 60 - Fax. 33 (0)4 76 41 60 90 - Email : [info@sames.com](mailto:info@sames.com) ([www.sames.com](http://www.sames.com))  
USA **SAMES N.A.** 11998 Merriman Road, Livonia, Michigan, 48 150  
Tel. (734) 261.5970 - Fax. (734) 261.5971 - Email : [samesna@sames.com](mailto:samesna@sames.com) ([www.sames.com](http://www.sames.com))

## UHT 153 «US type»

|  |   |
|--|---|
| 1. Introduction- - - - -                         | 3 |
| 2. Description - - - - -                         | 3 |
| 3. Characteristics - - - - -                     | 3 |
| 3.1. <i>Electrical characteristics</i> . . . . . | 3 |
| 4. Mechanical characteristics - - - - -          | 3 |
| 5. Safety précautions- - - - -                   | 3 |
| 6. Electrical connexions - - - - -               | 4 |
| 7. Spare parts- - - - -                          | 5 |

## 1. Introduction

The high voltage unit **UHT 153** permits to feed a paint applicator with high voltage without high voltage cable. This unit is mainly used for the **PPH 607** atomiser or **PPH 308**

## 2. Description

The **UHT 153** comprises:

- A moulded part with:
  - High voltage elements (transformer, cascade, measuring resistance and priming resistance),
  - Low voltage elements (recognition resistance and protection elements)
  - High voltage outlet adapted for use with **PPH 607** atomiser.

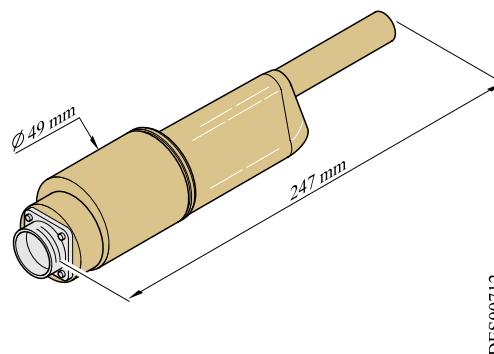
## 3. Characteristics

### 3.1. Electrical characteristics

|                   |                                    |
|-------------------|------------------------------------|
| Max input voltage | 36 V RMS – 25 kHz roughly          |
| Outlet voltage    | 100 kV, 100 µA, negative polarity. |
| * Outlet power    | 10 W max                           |

\* Voltage and current on output 2 of 12 pin plug of **GNM 100-A** or on brown wire (small) : + 15 Vdc ± 2 V with respect to the earth of the generator; maximum current available: 50 mA.  
because of the presence of the thermic circuit breaker, the cabling diagrams of the outside trigger given by manual RT 6212 are not applicable. Only use drawing on next page.

## 4. Mechanical characteristics



## 5. Safety précautions

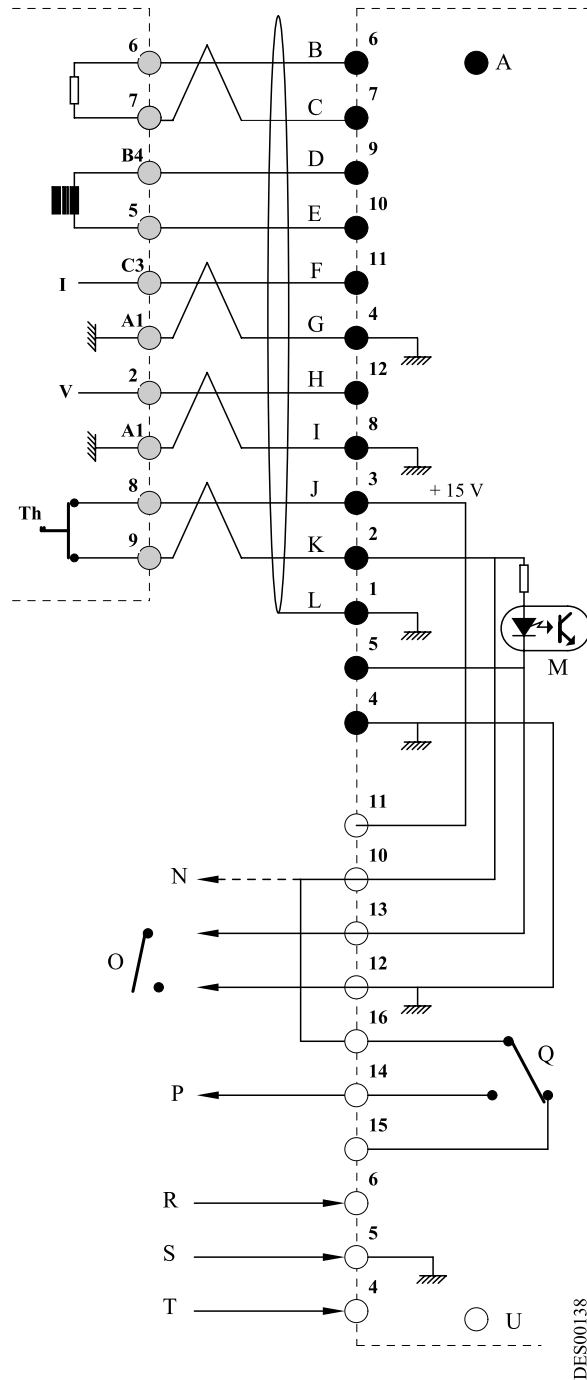
- Clean and grease with vaseline before fitting.
- Never assemble or disassemble with voltage on.
- Do not put the low voltage câble into contact with solvent.
- Câble length between high voltage unit and generator **GNM 100-A** (unit câble + any extension) is 30 m, 98,5 feet.

the **GNM 100-A** must be placed in a zone outside class 1, division 1, or class 1 division 2.

## 6. Electrical connexions

UHT 153

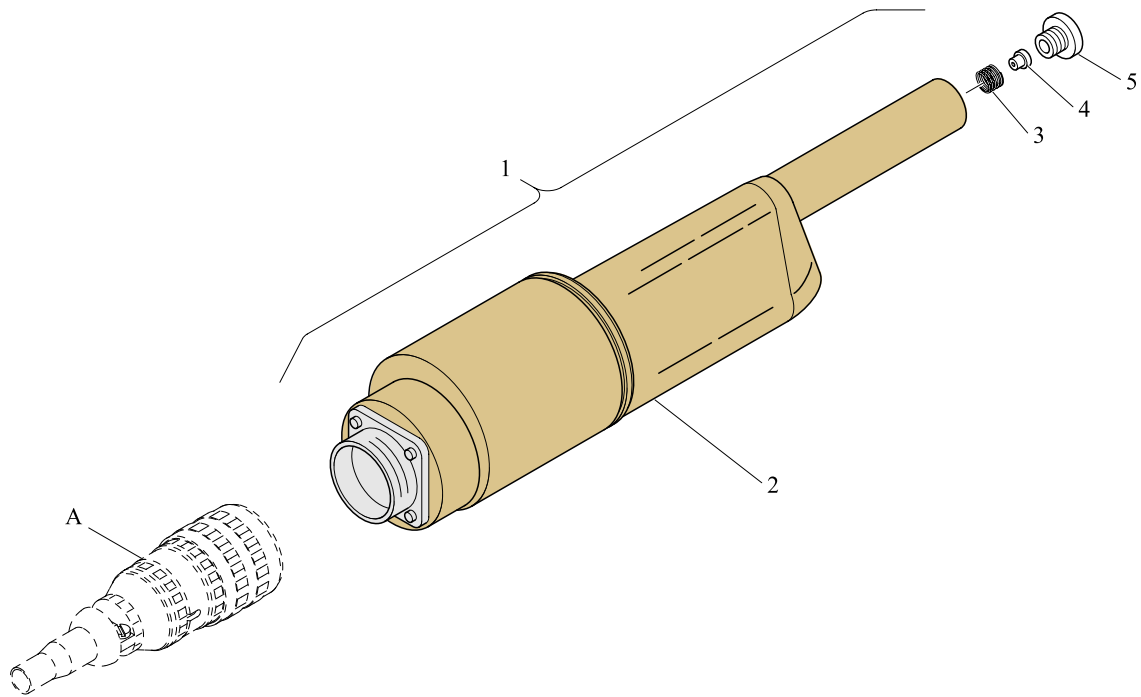
GNM 100



|   |                                       |
|---|---------------------------------------|
| A | 12 pins plug                          |
| B | Red                                   |
| C | Black                                 |
| D | Grey brown                            |
| E | Grey white                            |
| F | Pink                                  |
| G | Grey                                  |
| H | Violet                                |
| I | Blue                                  |
| J | Green                                 |
| K | Brown                                 |
| L | Shielding                             |
| M | Trigger                               |
| N | Thermic fault <b>UHT</b>              |
| O | Exterior trigger                      |
| P | Thermic fault <b>UHT or GNM 100-A</b> |
| Q | OK contact card 16/14 NF              |
| R | Set point 0 / 10 V                    |
| S | Set point 4 / 20 mA                   |
| T | 19 pins plug                          |

DES00138

## 7. Spare parts



DES00713

| Fig. | Part number | Description                   | Qty | Sold in units of |
|------|-------------|-------------------------------|-----|------------------|
| 1    | 1508750     | UHT153 with low voltage cable | 1   | 1                |
| 2    | J2FTDF416   | O ring 41 x 1,78 viton        | 1   | 1                |
| 3 *  | 548303      | HV connector stop             |     |                  |
| 4 *  | 548304      | Low voltage stop              |     |                  |
| 5 *  | Q2HRDC095   | HV spring                     |     |                  |
| A*   | E4PTFS481   | Male plug                     |     |                  |

**Note:** \* These parts are not delivered with the UHT 153. They are only mentioned for information.