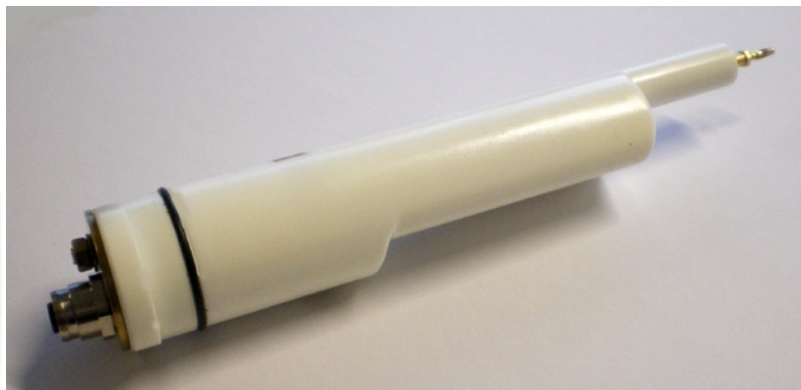




From February 1st, 2017 SAMES Technologies SAS becomes SAMES KREMLIN SAS
A partir du 1/02/17, SAMES Technologies SAS devient SAMES KREMLIN SAS



User manual

UHT 165 High Voltage Unit

FRANCE **SAS SAMES Technologies.** 13 Chemin de Malacher 38243 Meylan Cedex
Tel. 33 (0)4 76 41 60 60 - Fax. 33 (0)4 76 41 60 90 - www.sames.com
USA **Exel North America** 45001 5 Mile Road, Plymouth, Michigan, 48 170
Tel. (734) 979-0100 - Fax. (734) 927.0064 - www.sames.com

All communication or reproduction of this document, in any form whatsoever and all use or communication of its contents are forbidden without express written authorisation from SAMES Technologies.

The descriptions and characteristics mentioned in this document are subject to change without prior notice.

© **SAMES Technologies 2008**



WARNING : SAS Sames Technologies is registered with the Ministry of Labour as a training institution.

Throughout the year, our company offers training courses in the operation and maintenance of your equipment.

A catalogue is available on request. Choose from a wide range of courses to acquire the skills or knowledge that is required to match your production requirements and objectives.

Our training courses can be delivered at your site or in the training centre at our Meylan head office.

Training department:

Tel. 33 (0)4 76 41 60 04

E-mail: formation-client@sames.com

SAS Sames Technologies operating manuals are written in French and translated into English, German, Spanish, Italian and Portuguese.

The French version is deemed the official text and Sames will not be liable for the translations into other languages.

UHT 165
High Voltage Unit

1. Warnings	4
2. Introduction	4
3. Description	4
4. Characteristics	4
4.1. <i>Electrical characteristics</i>	4
4.2. <i>Mechanical characteristics</i>	4
5. Safety precautions	5
6. Electrical connections	5
7. Spare parts	6
7.1. <i>High Voltage Unit UHT 165</i>	6
7.2. <i>Cables</i>	7

1. Warnings



WARNING : This equipment may become a safety hazard if it is not operated, disassembled and reassembled in accordance with the instructions given in this manual.

See the equipment manual.



WARNING : Before High voltage ON, check that the supply connector is correctly tightened.

2. Introduction

The high voltage unit UHT 165 permits to feed a paint applicator with high voltage without high voltage cable. This unit is mainly used for the powder projectors type Inobell.

3. Description

The High Voltage Unit UHT 165 comprises:

- A moulded part with:
 - High voltage elements (transformer, cascade, priming resistance),
 - High voltage outlet adapted for use projectors.
 - M12 molded connector for low voltage cable.

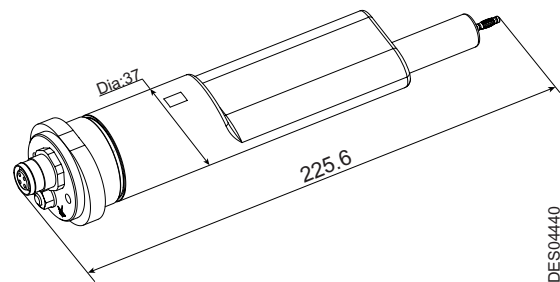
4. Characteristics

4.1. Electrical characteristics

Max input voltage	40 V RMS – 22 kHz roughly
Outlet voltage	75 kV, negative polarity.
Outlet current	100 μ A
Outlet power	7,5 W max

4.2. Mechanical characteristics

Weight: 0,3 Kg - 0.66 Lbs



5. Safety precautions

- Clean and grease the high voltage unit from banana plug to o-ring, (o-ring excluded) with dielectric grease.
- Never assemble or disassemble with voltage on.
- Do not put the low voltage cable into contact with solvent.
- Cable length between high voltage unit and control module CRN 458 is 30 m.



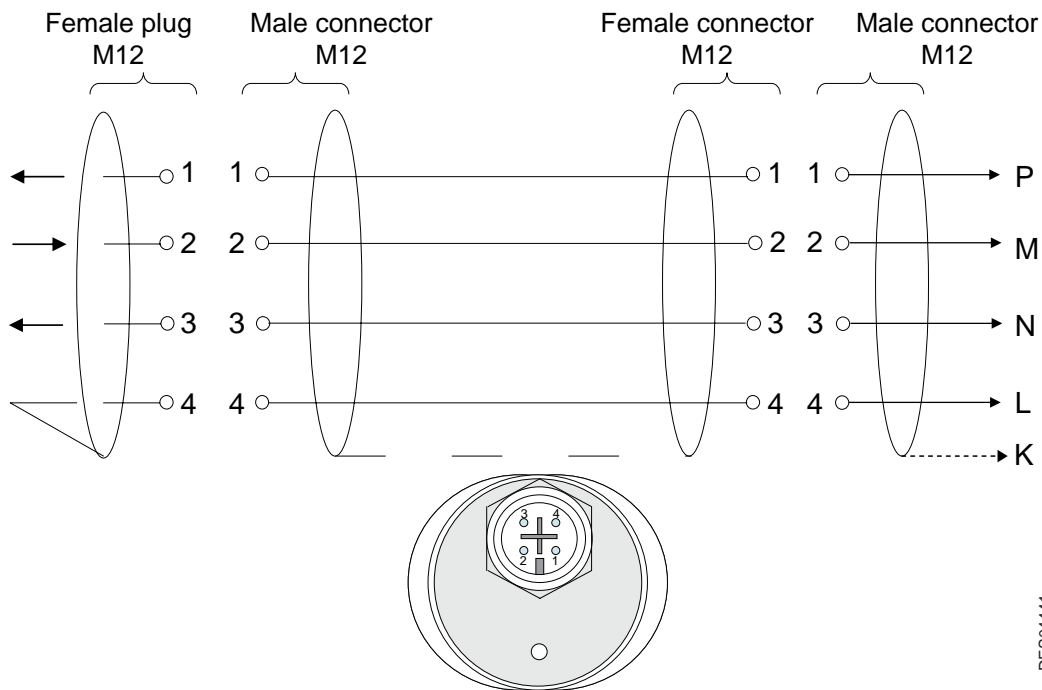
WARNING : the control module TCR must be placed in a anti-fire zone at least 1,5 m (4,9 feet) from the opening of the nearest booth.

6. Electrical connections

Cable diameter: = 0,34 mm²

UHT 165

CRN 458



DES0441

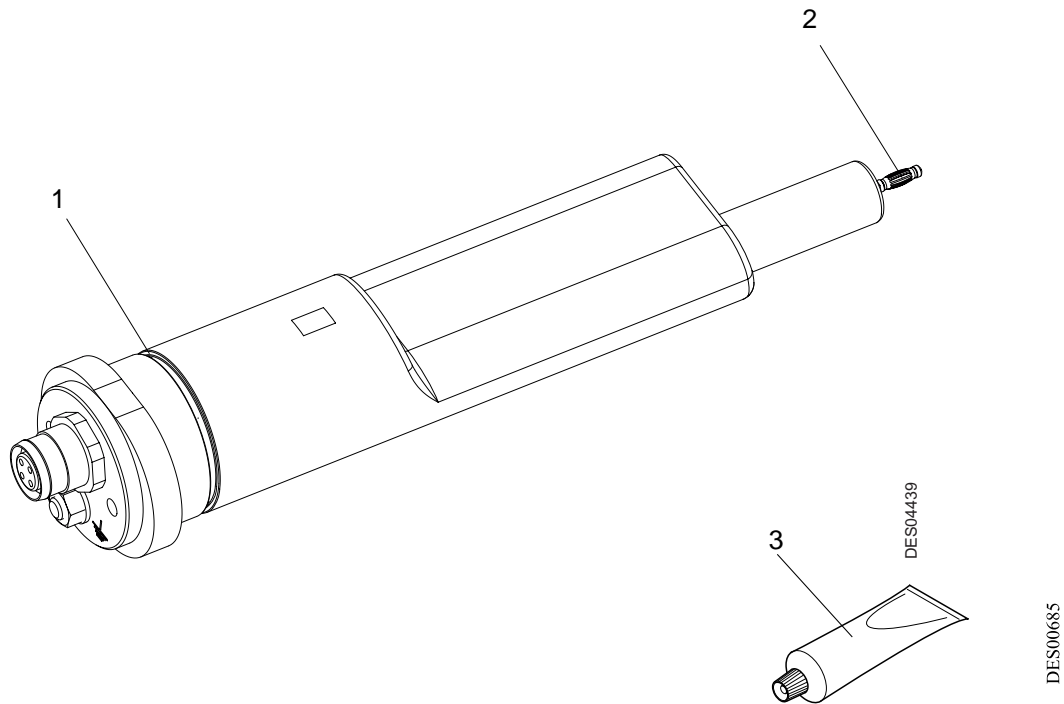
1	U Primary Voltage	Brown	0,34 mm ²
2	I Return current	White	0,34 mm ²
3	U Primary Voltage	Blue	0,34 mm ²
4	Signal	Black	0,34 mm ²



WARNING : It is necessary to use the Sames Technologies cable ([see § 7.2 page 7](#)).

7. Spare parts

7.1. High Voltage Unit UHT 165



Item	Part Number	Description	Qty	Sale unit	Maintenance level for spare parts (*)
	910007590	High voltage unit UHT 165	1	1	3
1	160000077	O-ring	1	1	1
2	900005635	M3 banana plug	1	1	1
3	H1GSYN037	Dielectric grease	1	1	1

(*)

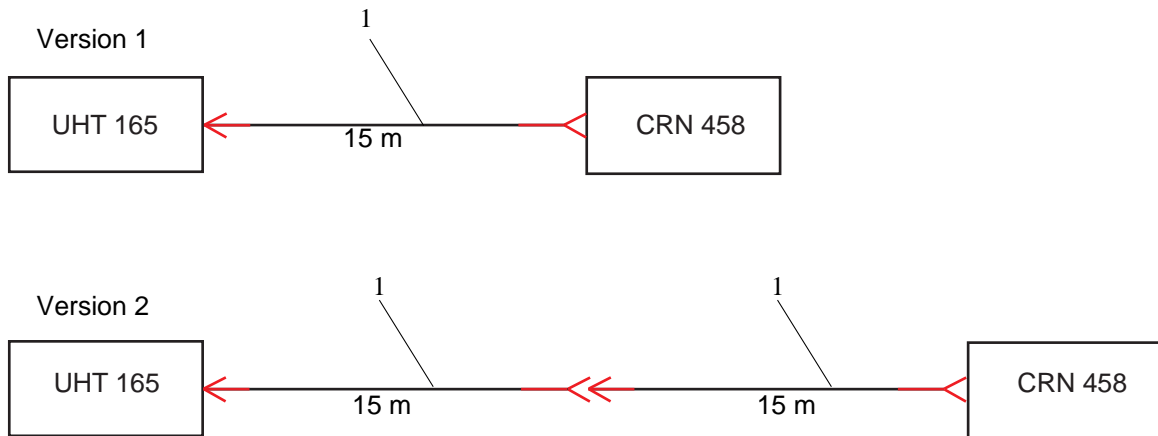
Level 1: Standard preventive maintenance

Level 2: Corrective maintenance

Level 3: Exceptional maintenance

7.2. Cables

Note: Cable has a defined length; for other lengths, please, contact SAMES Technologies.



DES04442

Item	Part Number	Description	Qty	Sale unit
Version 1				
1	110000972	Equipped cable, Male/female molded connectors , Length: 15 m	1	1
Version 2				
1	110000972	Equipped cable, Male/female molded connectors , Length: 15 m	2	1



WARNING : Cable length between the High Voltage Unit UHT 165 and the Control Modul CRN 458 should not exceed 30 m.