



User manual

Nanogun Airspray Options for Automotive Industry

SAMES KREMLIN SAS - 13, Chemin de Malacher - 38240 MEYLAN - FRANCE
Tel. 33 (0)4 76 41 60 60 - www.sames-kremlin.com

Any communication or copying of this document, in any form whatsoever, and any use or divulging of its contents is forbidden without express written permission from SAMES KREMLIN.

The descriptions and characteristics contained in this document may be changed without prior warning and are in no way binding on SAMES KREMLIN.

© SAMES KREMLIN 2015



WARNING : SAMES KREMLIN is registered as a " Training Center " approved by the "Ministry of Employment".
Trainings with the aim of getting the necessary know-how to use and for the maintenance of your equipment can be organized all along the year.
A catalog is available upon request. Among the different training programs proposed, you will be able to find the training which corresponds the best to your needs and production purposes. These trainings can be organized in your premises or in our training center based in our headquarters in Meylan.

Training Department :
Tel.: 33 (0)4 76 41 60 04
E-mail: formation-client@sames-kremlin.com

SAMES KREMLIN SAS operating manuals are written in French and translated into English, German, Spanish, Italian and Portuguese.

The French version is deemed the official text and SAMES KREMLIN will not be liable for the translations into other languages.

Nanogun Airspray

Options for Automotive Industry

1. Health and Safety Instructions- - - - -	4
2. The options for Nanogun Airspray spray gun - - - - -	4
2.1. Coil for metallic paints	4
2.1.1. Nanogun Airspray HR with coil.	5
2.2. Lockable lateral air tape	8
2.3. Quick fitting for paint hose	9
2.4. Paint return	10
2.5. Paint regulator / Return	11



WARNING: This 7111 user manual is inseparable of the 7105 user manual of Nanogun Airspray.

1. Health and Safety Instructions



WARNING: [see RT Nr 7105](#)

2. The options for Nanogun Airspray spray gun

2.1. Coil for metallic paints



WARNING: The coil is used only with a product the resistivity of which is superior to 10 MΩ.cm.

This option is more particularly adapted to the spraying of metallic products, basic performances of the spray gun, in particular, flow, efficiency on deposit and sharpness of spraying remain unchanged ([see RT Nr 7105](#)).

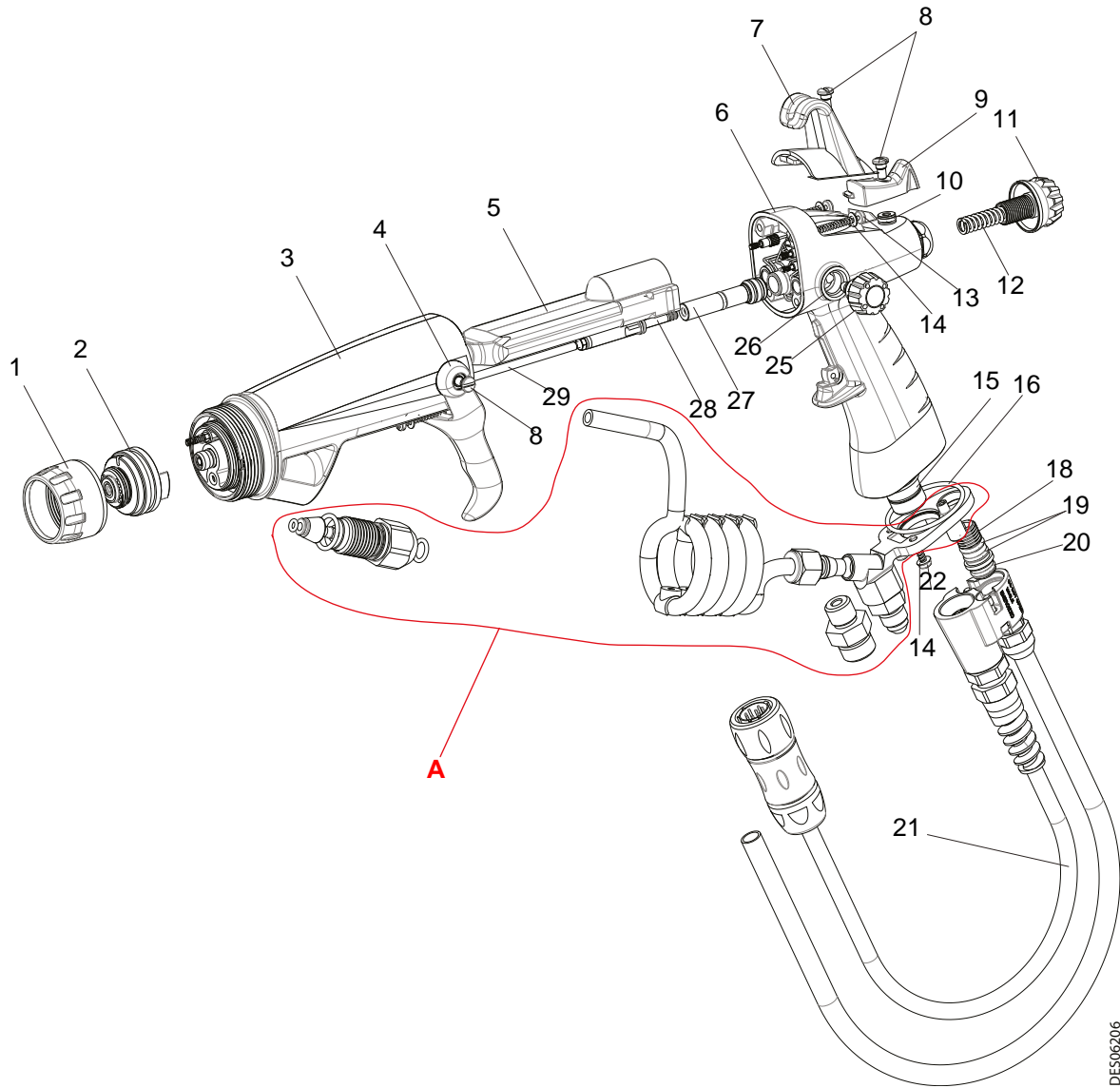
The coil can be installed in first in factory or by dispensation by a subsidiary.

Item	Part number	Description	Qty	Unit of sale	Spare Part Level (*)
	910020035	Nanogun Airspray HR, fan spray, coil	1	1	3
1	1406402	SP nozzle assembly	1	1	3
2	900009014	High efficiency air cap	1	1	1
3	910015921	Air cap ring	1	1	3
4	-	Nanogun Airspray HR with coil (see § 2.1.1 page 5)	-	-	-

2.1.1. Nanogun Airspray HR with coil



WARNING: For any maintenance operations, [see RT Nr 7105](#).



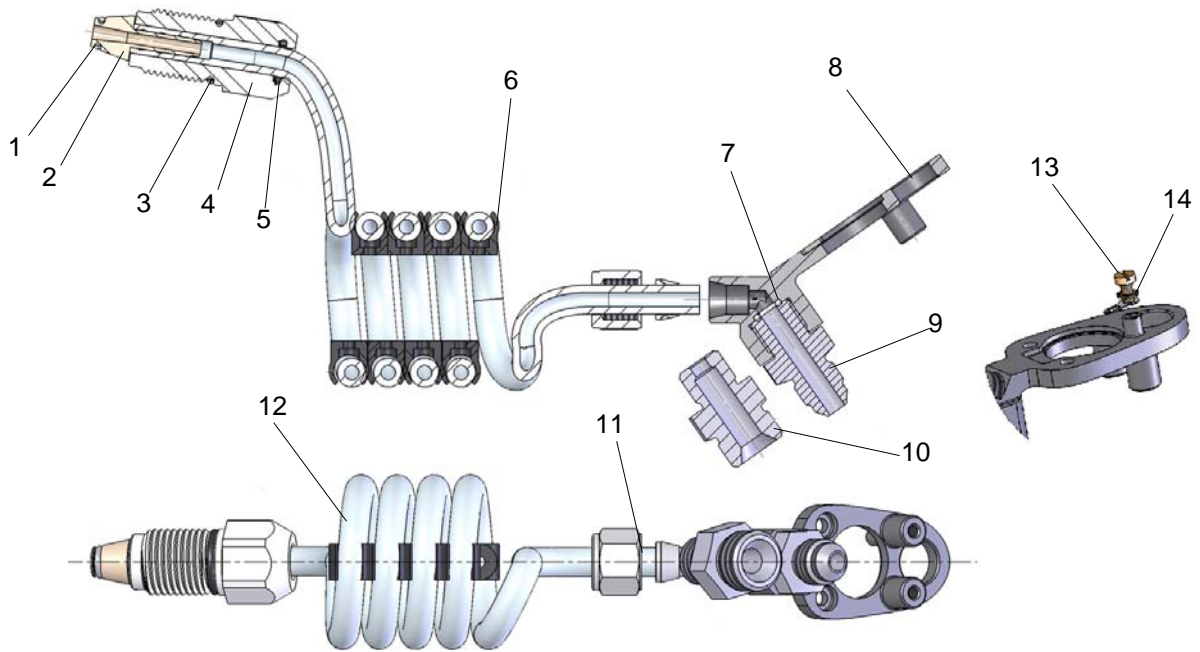
Item	Part number	Description	Qty	Unit of sale	Spare Part Level (*)
	-	Nanogun Airspray with coil spray gun	-	-	-
From items 1 to 29 (except items 17, 23 and 24) see RT Nr 7105					
1	900000320	Nozzle nut	1	1	3
2	910015721	Nozzle support (see § 13.7 page 56 RT 7105)	1	1	1
3	910018202	Equipped barrel (see § 13.4 page 54 RT 7105)	1	1	3
4	900010237	Trigger	1	1	3
5	910015508	High voltage unit	1	1	3
6	910015944	Nanogun Airspray equipped handle	1	1	3
7	900010239	Fixing hook	1	1	3
8	900010385	Shouldered C M4 screw	4	1	3
9	910018204	ON/OFF button with magnet and o-ring	1	1	3
10	J3STKL005	Chemically inert o-ring (included in item 10)	1	1	1
11	900010240	Paint flow button	1	1	3
12	900010265	8 bar paint spring	1	1	1
13	250000036	Screw securing handle/barrel	4	1	3
14	J4BRND039	Fiber seal for securing screw	6	1	3
15	160000041	O-ring chemically inert (included in item 6)	1	1	1
16	160000067	O-ring FKM red (included in item 6)	1	1	1
18	910006118	Air nipple	1	1	2
19	J2FTCF018	O-ring FKM black (included in item 18)	2	1	1
20	J3STKL018	O-ring chemically inert grey (included in item 18)	1	1	1
21	910015869	Electropneumatic coupling sets (see § 13.10 page 58 RT 7105)	1	1	3
22	250000037	Securing screw of handle base	2	1	3
25	910014166	Lateral tape equipped	1	1	3
26	J2FTDF121	O-ring FKM black (included in item 25)	1	1	1
27	910018203	Air valve (see § 13.5 page 55 RT 7105)	1	1	3
28	900010253	Needle rear stop	1	1	3
29	910018219	Needle (see § 13.9 page 58 RT 7105)	1	1	1
A	910019627	Equipped coil for Nanogun Airspray	1	1	3

(*)

Level 1: Standard preventive maintenance.

Level 2: Corrective maintenance.

Level 3: Exceptional maintenance.



Item	Part number	Description	Qty	Unit of sale	Spare Part Level (*)
A	910019627	Equipped coil for Nanogun Airspray	1	1	3
1	J3STKL005	O-ring chemically inert	1	1	1
2	900010707	Paint male connector	1	1	2
3	J2FTCF178	O-ring FKM (included in item 4)	1	1	1
4	910020041	Hose paint nut with o-rings	1	1	3
5	J2FTDF106	O-ring FKM (included in item 4)	1	1	1
6	X9CCFT066	Tube fastener D: 8mm (set of 7)	2	1	3
7	J3TTCN009	O-ring PTFE	1	2	1
8	900013005	Spray gun base	1	1	3
9	900013369	Male connector 1/4 NPSM 1/2 JIC	1	1	3
10	900013073	Connector 1/4 NPSM	Option	1	3
11	910020038	Rings and nut assembly	1	1	2
12	910020039	Coil assembly (including items 1, 6, 11)	1	1	2
13	X7CVCB064	Brass C M3 x16 screw	1	1	3
14	X2BDVX003	Fan washer	1	1	3

(*)

Level 1: Standard preventive maintenance.

Level 2: Corrective maintenance.

Level 3: Exceptional maintenance.

2.2. Lockable lateral air tape

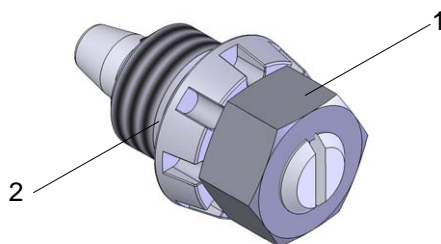
The lockable lateral air tape is compatible with all the versions of Nanogun Airspray spray gun.

It allows to lock and / or to prevent the involuntary rotation of the standard air tape and so, to keep the same width of impact. However the adjustment always remains possible by using a flat screwdriver and a 13 mm open end spanner.

This option can be directly settled in factory, either on-site by a subsidiary or by a SAMES KREMLIN authorized dealer or by a customer beforehand trained.

This tape is completely exchangeable with a standard tape:

- Unscrew the H M8 nut using a flat wrench.
- Unscrew the tape using tool (P/N 900010973).
- Install the new tape.



Item	Part number	Description	Qty	Unit of sale	Spare Part Level (*)
	910019632	Lockable lateral air tape	1	1	3
1	X4KEHU008	SS H M8 nut	1	1	3
2	J2FTDF121	O-ring FKM	1	1	1

(*)

Level 1: Standard preventive maintenance.

Level 2: Corrective maintenance.

Level 3: Exceptional maintenance.

2.3. Quick fitting for paint hose

The quick fitting is installed when numerous colors are used with a circulating to insure their supply. He allows a quick change of colors and minimizes the loss of paint.



WARNING: It is imperative not to use this option with a conductive product (Resistivity lower than 10 MΩ.cm).

It is recommended to use this option with the option coil.

If this feature presents numerous advantages (quick color change with a minimum loss of paint...), however it weighs down the spray gun and can limit its handiness.

This option can be directly settled in factory, either on-site by a subsidiary or by a SAMES KREMLIN authorized dealer or by a customer beforehand trained.

Remarks: A connector is necessary to install this quick union.



Item	Part number	Description	Qty	Unit of sale	Spare Part Level (*)
1	900013073	Connector 1/4 NPT	1	1	3
2	130001344	Male quick fitting (spray gun side)	1	2	3
3	130001345	Female quick fitting (paint hose side)	1	1	3

(*)

Level 1: Standard preventive maintenance.

Level 2: Corrective maintenance.

Level 3: Exceptional maintenance.

2.4. Paint return

The paint return is recommended for products having a strong trend to be sedimented (Ex: metallic bases).



WARNING: It is imperative not to use this option with a conductive product (resistivity lower than 10 MΩ.cm).

It is recommended to use this option with the option coil.

If this feature presents numerous advantages (prevention of the pigments sedimentation, possibility of spraying the paint with constant temperature by adding a heater), however it weighs down the spray gun and can limit its handiness.

This option can be directly settled in factory, either on-site by a subsidiary or by a SAMES KREMLIN authorized dealer or by a customer beforehand trained.

Remarks: A connector is necessary to install this quick fitting.



Item	Part number	Description	Qty	Unit of sale	Spare Part Level (*)
1	900013073	Connector 1/4 NPT	1	1	3
2	130001344	Male quick union (spray gun side)	1	1	3
3	130001352	Quick fitting with return	1	1	3
4	130001353	Quick fitting, standard connection	1	1	3

(*)

Level 1: Standard preventive maintenance.

Level 2: Corrective maintenance.

Level 3: Exceptional maintenance.

2.5. Paint regulator / Return



WARNING: It is imperative not to use this option with a conductive product (resistivity lower than 10 MΩ.cm).

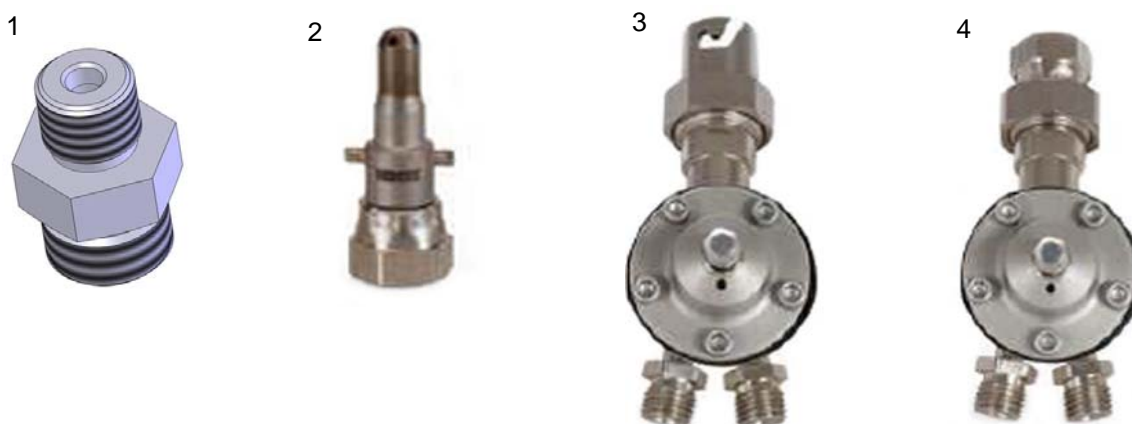
It is recommended to use this option with the option coil.

If this feature presents numerous advantages (accessible and quick adjustment, prevention of the pigments sedimentation, possibility of spraying the paint with constant temperature by adding a heater...), however it weighs down the spray gun and can limit its handiness.

This option can be directly settled in factory, either on-site by a subsidiary or by a SAMES KREMLIN authorized dealer or by a customer beforehand trained.

Remarks: A connector is necessary to install this quick fitting.

Max. paint input pressure	14 bar
Output pressure	from 0.3 bar to 2.4 bar
Max. viscosity	see RT Nr 7105
Max. flow rate	see RT Nr 7105



Item	Part number	Description	Qty	Unit of sale	Spare Part Level (*)
1	900013073	Connector 1/4 NPT	1	1	3
2	130001344	Male quick union (spray gun side)	1	2	3
3	130001354	Regulator with quick fitting	1	1	3
4	130001355	Regulator with standard fitting	1	1	3

(*)

Level 1: Standard preventive maintenance.

Level 2: Corrective maintenance.

Level 3: Exceptional maintenance.