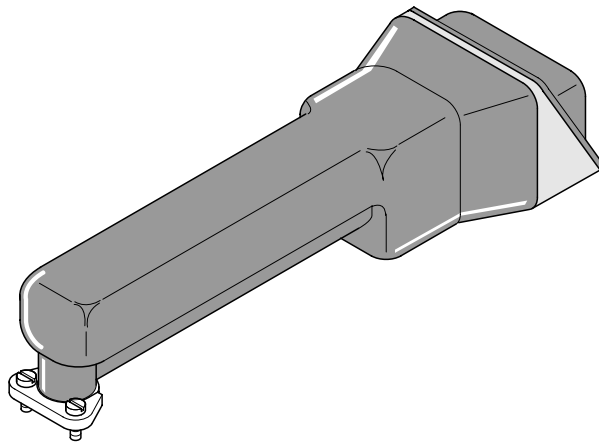




From February 1st, 2017 SAMES Technologies SAS becomes SAMES KREMLIN SAS
A partir du 1/02/17, SAMES Technologies SAS devient SAMES KREMLIN SAS



DES00344

User manual

UHT 152 EEx e High Voltage Unit

FRANCE **SAMES Technologies** 13 Chemin de Malacher 38243 Meylan Cedex
Tel. 33 (0)4 76 41 60 60 - Fax. 33 (0)4 76 41 60 90 - www.sames.com

USA **Exel North America, Inc** 11998 Merriman Road, Livonia, Michigan, 48 150
Tel. (734) 261.5970 - Fax. (734) 261.5971 - www.sames.com

Any communication or copying of this document, in any form whatsoever, and any use or divulging of its contents is forbidden without express written permission from SAMES Technologies.

The descriptions and characteristics contained in this document may be changed without prior warning and are in no way binding on SAMES Technologies.

© SAMES Technologies 2002



WARNING : Sames Technologies is registered as a "Training Center" approved by the "Ministry of Employment".
Trainings with the aim of getting the necessary know-how to use and for the maintenance of your equipment can be organised all along the year.
A catalog is available upon request. Among the different training programmes proposed, you will be able to find the training which corresponds the best to your needs and production purposes. These trainings can be organised in your premises or in our training center based in our headquarters in Meylan.

Training Department :
Tel.: 33 (0)4 76 41 60 04
E-mail : formation-client@sames.com

UHT 152 EEx e
High Voltage Unit

1. Safety instructions - - - - -	4
1.1. <i>The high voltage unit UHT 152 EEx e marking</i>	4
2. Introduction - - - - -	4
3. Description - - - - -	4
4. Characteristics - - - - -	4
4.1. <i>Electrical characteristics</i>	4
4.2. <i>Mechanical characteristics</i>	4
5. Safety precautions - - - - -	5
6. Maintenance - - - - -	6
6.1. <i>Electrical connexions</i>	6
6.2. <i>Low voltage CableReplacement</i>	6
7. Spare parts - - - - -	7
7.1. <i>High voltage unit UHT 152 EEx e</i>	7
7.2. <i>Cables</i>	8

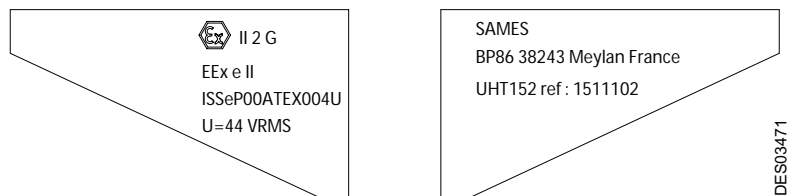
1. Safety instructions



WARNING : This equipment may become a safety hazard if it is not operated, disassembled and reassembled in accordance with the instructions given in this manual.

See the equipment manual.

1.1. The high voltage unit UHT 152 EEx e marking



2. Introduction

The high voltage unit UHT 152 permits to feed a paint applicator with high voltage by a low voltage cable only (without high voltage cable).

This high voltage unit is mainly used for the TRP 500 spray gun.

3. Description

The UHT 152 comprises :

- A moulded part with :
 - High voltage elements (transformer, cascade, measuring resistance and priming resistance,
 - Low voltage elements (recognition resistance and protection elements),
- High voltage outlet adapted for use with paint applicator,
- Low voltage terminal box in accordance with the mode of protection EEX e.

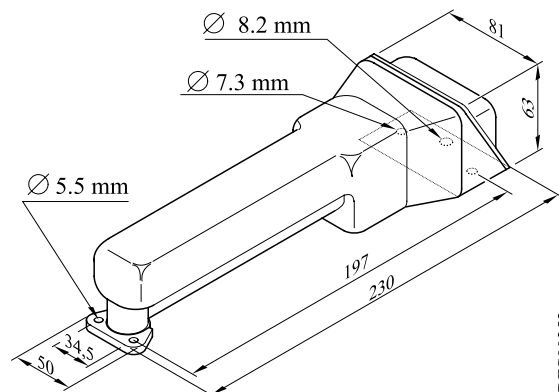
4. Characteristics

4.1. Electrical characteristics

Maximum inlet voltage	36 V RMS – 25 kHz roughly.
Outlet voltage	100 kV negative polarity.
Outlet current	200 μ A
Outlet power	20 W max.

4.2. Mechanical characteristics

Weight	0,900 Kg
--------	----------



5. Safety precautions

- Clean and grease the high voltage well with dielectric grease before fitting.
- Never assemble or disassemble with voltage on.
- Do not put the low voltage cable into contact with solvent.
- Maximum cable length between high voltage unit and generator GNM 200 is 30 m, 98.42 feet .

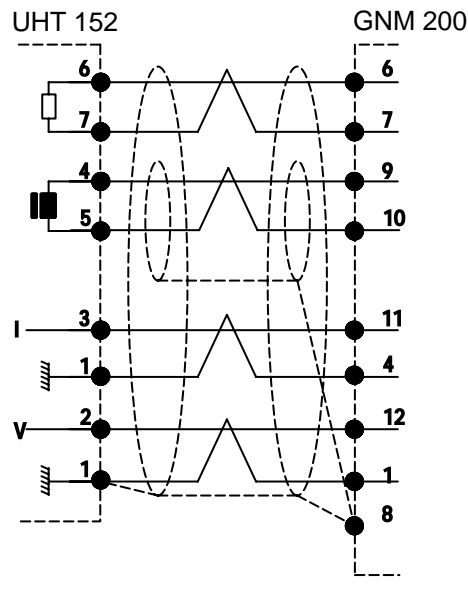


WARNING : the GNM 200-A must be placed in a anti-fire zone at least 1,5 m (4,9 feet) from the opening of the nearest booth.

6. Maintenance

6.1. Electrical connexions

Connection between high voltage unit UHT 152 and low voltage generator GNM 200 is described below:



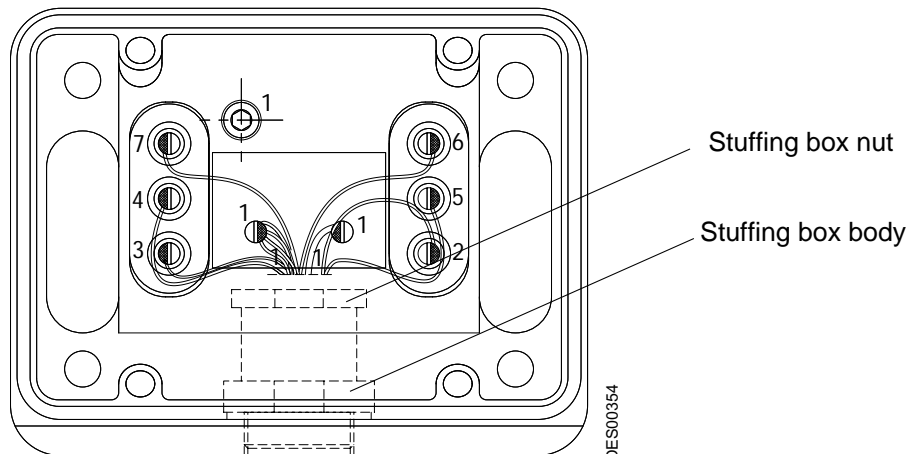
DES00352

The cable used for the connections must respect :

- a section of wires comprised between $0,3 \text{ mm}^2$ and $0,8 \text{ mm}^2$ (to enter the clips),
- a diameter mini. 5,5 mm and maxi. 8 mm (diameter adapted for the grommet),
- a complete shielding and a second shielding for each pair of wire.

Nota : Should some wires are not used, they should be connected to the ground.

Terminal box connection



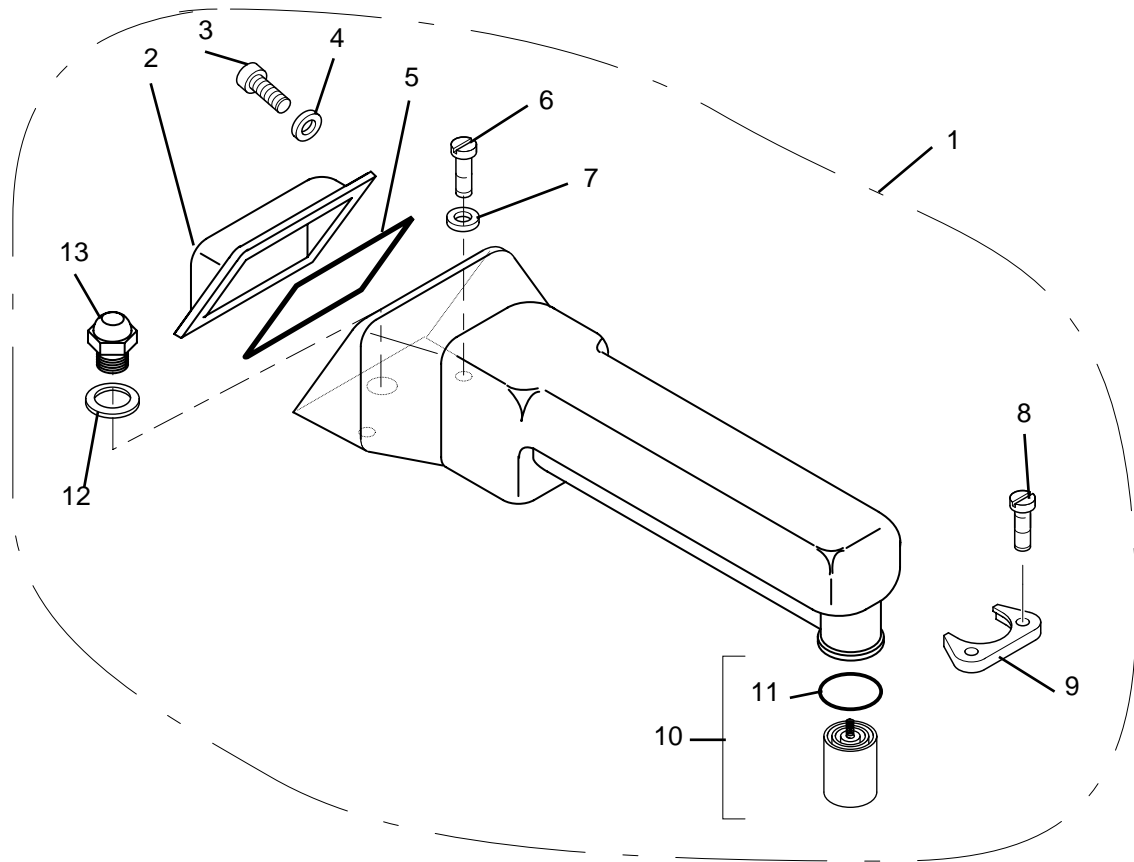
DES00354

6.2. Low voltage Cable Replacement

- Unscrew the four screws of the terminal box cover. Remove it
- Unplug each electrical wire.
- Maintaining the body of the stuffing box, loosen the nut in order to unblock the cable.
- Pass one by one wire through the stuffing box and to delicately draw in order to completely leave them the high voltage unit.

7. Spare parts

7.1. High voltage unit UHT 152 EEx e

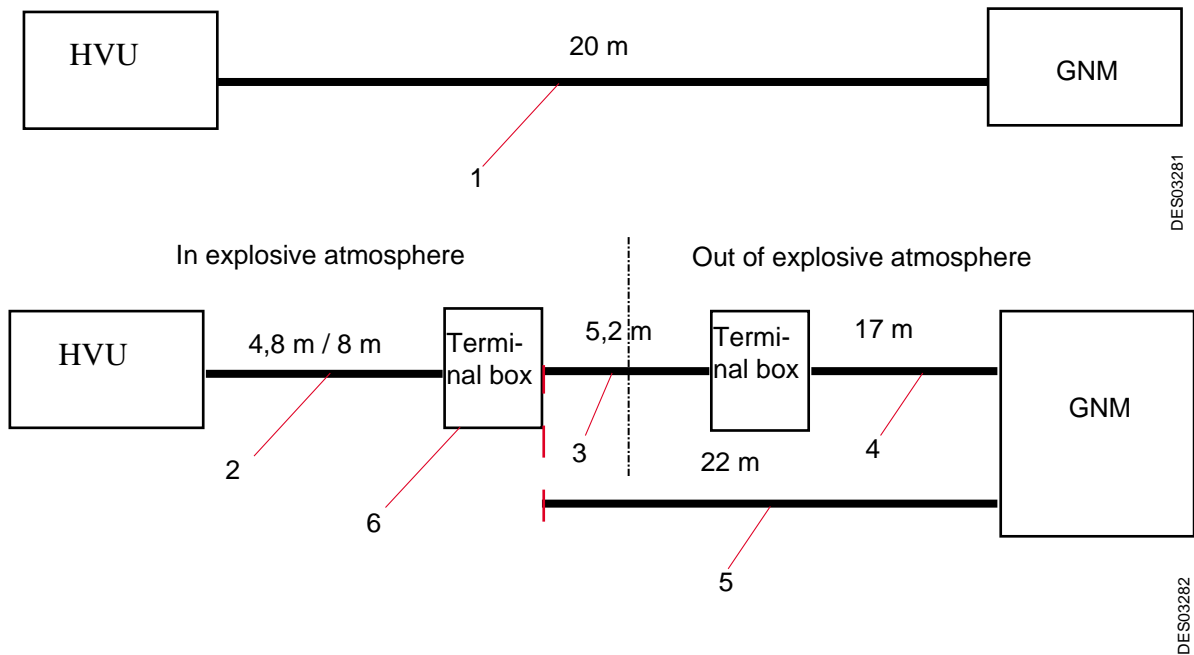


DES00356

Item	Part number	Description	Qty	Sale unit	First Emergency	Consumable
1	1511102	UHT152 EEx e	1	1	X	
2	1306147	Cover	1	1	-	-
3	X2BVCB118	Screw C M 4 x 10 stainless steel	4	1	-	-
4	J2CRAN104	Seal washer	4	1	-	-
5	J2CTEP605	O-ring	1	1		X
6	X9NVCB223	Screw C M 6 x 16 nylon	2	1	-	-
7	J2CRAN071	Seal washer	2	1	-	-
8	X9SVCB186	Screw C M 5 x 20 glass filled nylon	2	1	-	-
9	1302193	Fixing flange	1	1	-	-
10	448768	Isolator assy	1	1	X	
11	J3ETOR046	O-ring	1	2		X
12	E3RPLJ009	O-ring, grommet	1	1	-	-
13	1406058	Grommet	1	1	-	-

7.2. Cables

Note: Each cable has a defined length; for other lengths, please, contact SAMES Technologies.



Item	Part number	Description	Qty	Sale unit
1	1514591	Equipped low voltage cable, Length: 20 m	1	1
2	1527252	Low voltage cable, Length: 4,8 m (HVU to terminal box)	1	1
	910001236	Low voltage cable, Length: 8 m (HVU to terminal box)	option	1
3	910000086	Connection cable, Length: 5,2 m	1	1
4	910000070	Low voltage cable, Length: 17 m (Connection terminal box to GNM)	1	1
5	1520516	Low voltage cable, Lg: 22 m (Connection terminal box to GNM)	1	1
6	1303899AT	Terminal box	1	1

Cable length between the High Voltage Unit and the Control Modul GNM (unit cable + any extension) should not exceed 30 m.