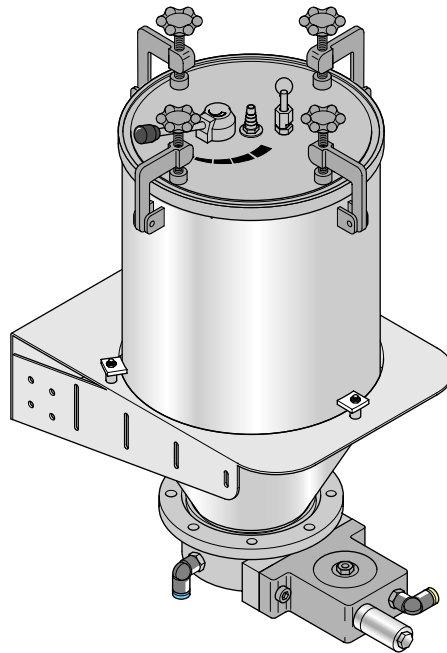




From February 1st, 2017 SAMES Technologies SAS becomes SAMES KREMLIN SAS
A partir du 1/02/17, SAMES Technologies SAS devient SAMES KREMLIN SAS



DES00408

User manual

CSV 217 Tank

SAMES Technologies. 13 Chemin de Malacher 38243 Meylan Cedex
Tel. 33 (0)4 76 41 60 60 - Fax. 33 (0)4 76 41 60 90 - www.sames.com

Any communication or copying of this document, in any form whatsoever, and any use or divulging of its contents is forbidden without express written permission from SAMES Technologies.

The descriptions and characteristics contained in this document may be changed without prior warning and are in no way binding on SAMES Technologies.

© SAMES Technologies 2005



WARNING : Sames Technologies is registered as a "Training Center" approved by the "Ministry of Employment".
Trainings with the aim of getting the necessary know-how to use and for the maintenance of your equipment can be organised all along the year.
A catalog is available upon request. Among the different training programmes proposed, you will be able to find the training which corresponds the best to your needs and production purposes. These trainings can be organised in your premises or in our training center based in our headquarters in Meylan.

Training Department :
Tel.: 33 (0)4 76 41 60 04
E-mail : formation-client@sames.com

CSV 217 Tank

1. Safety Rules - - - - -	4
2. Description - - - - -	4
3. General characteristics - - - - -	5
3.1. <i>Characteristics</i>	5
3.2. <i>Pneumatic Characteristics</i>	5
4. Diagrams - - - - -	5
5. Fonctionnement - - - - -	6
6. Tools - - - - -	6
7. Installation - - - - -	7
8. Adjustments - - - - -	7
9. Maintenance - - - - -	8
9.1. <i>Maintenance and Periodic Checks</i>	8
9.2. <i>Disassembly and Reassembly of Tank CSV 217</i>	8
9.2.1. <i>Disassembly</i>	8
9.2.2. <i>Reassembly</i>	8
10. Troubleshooting - - - - -	8
11. Spare Parts - - - - -	9

1. Safety Rules



WARNING : Tank CSV 217 is designed only for storing powder paint.

The tank must always be connected to an electrical ground.

This device may become a safety hazard if it is not operated in accordance with the instructions given in this manual.



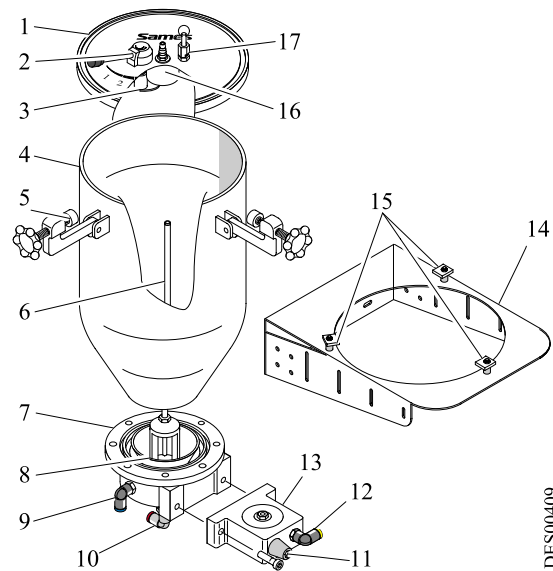
WARNING : Operating temperature range: 0 °C to 40 °C (32 °F to 104 °F).

2. Description

Tank CSV 217 is designed to supply powder to manual powder spraying equipment.

The main components of tank CSV217 are:

Item	Description
1	Cover
2	Lever
3	Shutter
4	Tank body containing powder paint
5	Locking clamps (4)
6	Powder ejector tube
7	Fluidization chamber assembly used to fluidized the powder
8	Porous cone
9	Elbow union
10	Elbow union
11	Silencer
12	Elbow union
13	Vibrator
14	Support
15	Rubber studs
16	Funnel
17	Quick release valve



DES00409

3. General characteristics

3.1. Characteristics

- Capacity of the CSV 217: 24 liters (i.e. approx. 12 kg of fluidized powder).
- The vibrator used on tank CSV 217 is a turbine model with compressed air supply. The acoustic pressure level produced by the vibrator at one meter from the tank is never more than 70 dB(A).

3.2. Pneumatic Characteristics

Characteristic	Value
Fluidization air pressure	1 bar (15 psi)
Characteristics of the compressed air supply as per standard ISO 8573-1	
Maximum dew point at 6 bar (90 psi)	Classe 4 soit + 3 °C (+ 38 °F)
Maximum grain size of solid foreign matter	Classe 3 soit 5 microns
Maximum oil concentration	Classe 1 soit 0,01 mg/m ₀ ³ (*)
Maximum concentration of solid foreign matter	Classe 3 soit 5 mg/m ₀ ³ (*)
Air flow rate	15 m ₀ ³ /h

m₀³ : volume reduced to normal atmospheric pressure (1013 mbar) and a temperature of 0 °C (34 °F).

4. Diagrams

None.

5. Fonctionnement

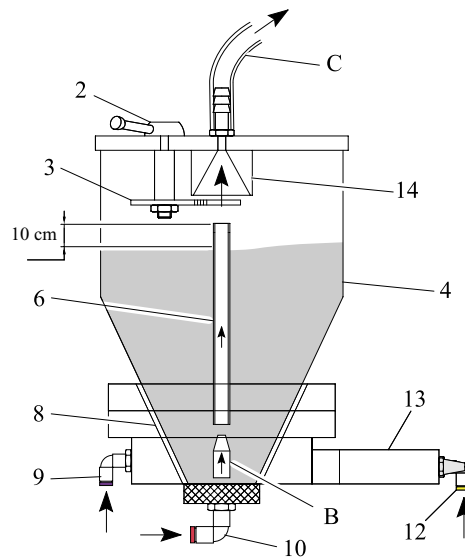
Injection air from union (10) is used to pressurize tank **CSV 217**.

The powder contained in the tank (4) is fluidized in the fluidization chamber by an air jet from union (9) crossing the porous cone (8).

The vibrator (13) prevents powder buildup in the porous cone.

The air blast from the injector (B) takes along the powder towards the ejector tube (Rep.6).

The lever (2) on the cover is used to adjust the power flow rate. The lever actuates the shutter (3) which varies opening/closing of the powder ejector tube. Finer adjustment is possible by varying the injection air pressure.



DES00410



WARNING : The powder level in the tank must never be higher than a threshold of 10cm to the bottom of the injection tube .

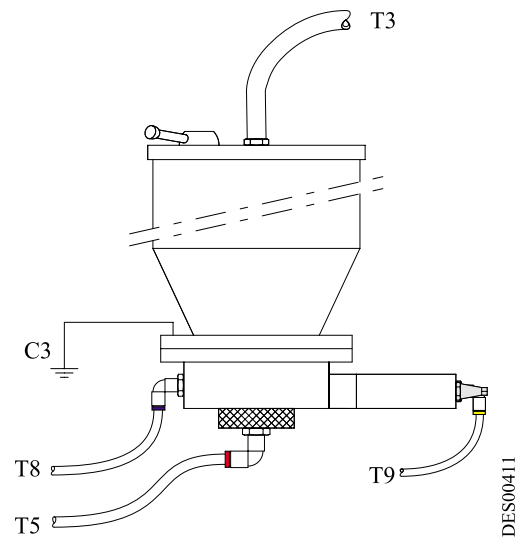
6. Tools

No specific tools.

7. Installation

Connect the equipment as follows:

- powder supply hose (T3) -
Ø 6/9 mm or Ø 8/12 mm (according to the desired flow-rate) - to the powder sprayer,
- the injection air hose (T5) - Ø 6 / 8 mm, blue
- to the CSV 217 (see the diagram opposite)
and to the module CRN 457 (see RT Nr 6382).
- the fluidization air hose (T8) Ø - 4/6 mm yellow
- to the CSV 217 (see the diagram opposite)
and to the module CRN 457 (see RT Nr 6382).
- the vibrator air supply hose (T9) - Ø 6/8 mm
red
- to the CSV 217 (see the diagram opposite)
and to the module CRN 457 (see RT Nr 6382).
- the ground connection cable (C3).



8. Adjustments

See manual for the equipment concerned. [see RT Nr 6382](#) chapter "Adjustments and operating".

9. Maintenance

9.1. Maintenance and Periodic Checks



WARNING : Use an air jet, a cloth or possibly a brush for all cleaning operations. Water must never be used to clean the equipment.

Maintenance schedule	Action
Between 40 and 60 hours of operation.	- Drain the tank. - Clean the tank with a suction cleaner.

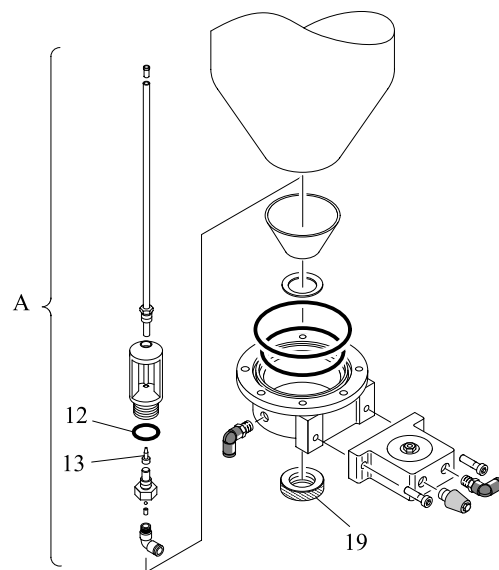
9.2. Disassembly and Reassembly of Tank CSV 217

9.2.1. Disassembly

- Place a container below the tank.
- Remove the tank cover.
- Unscrew n the nut (Item 19) then pull the assembly (item A) upwards.
- Drain the contents of the tank.
- Clean the assembly (ItemA) using compressed air, paying special attention to the injector (Item13).
- Clean the tank with a suction cleaner.

9.2.2. Reassembly

- Reassemble the parts of assembly (Item A) making sure that the seal (Item 12) is fitted.
- Position the assembly (Item A) on the base plate, then tighten the nut (Item 19).

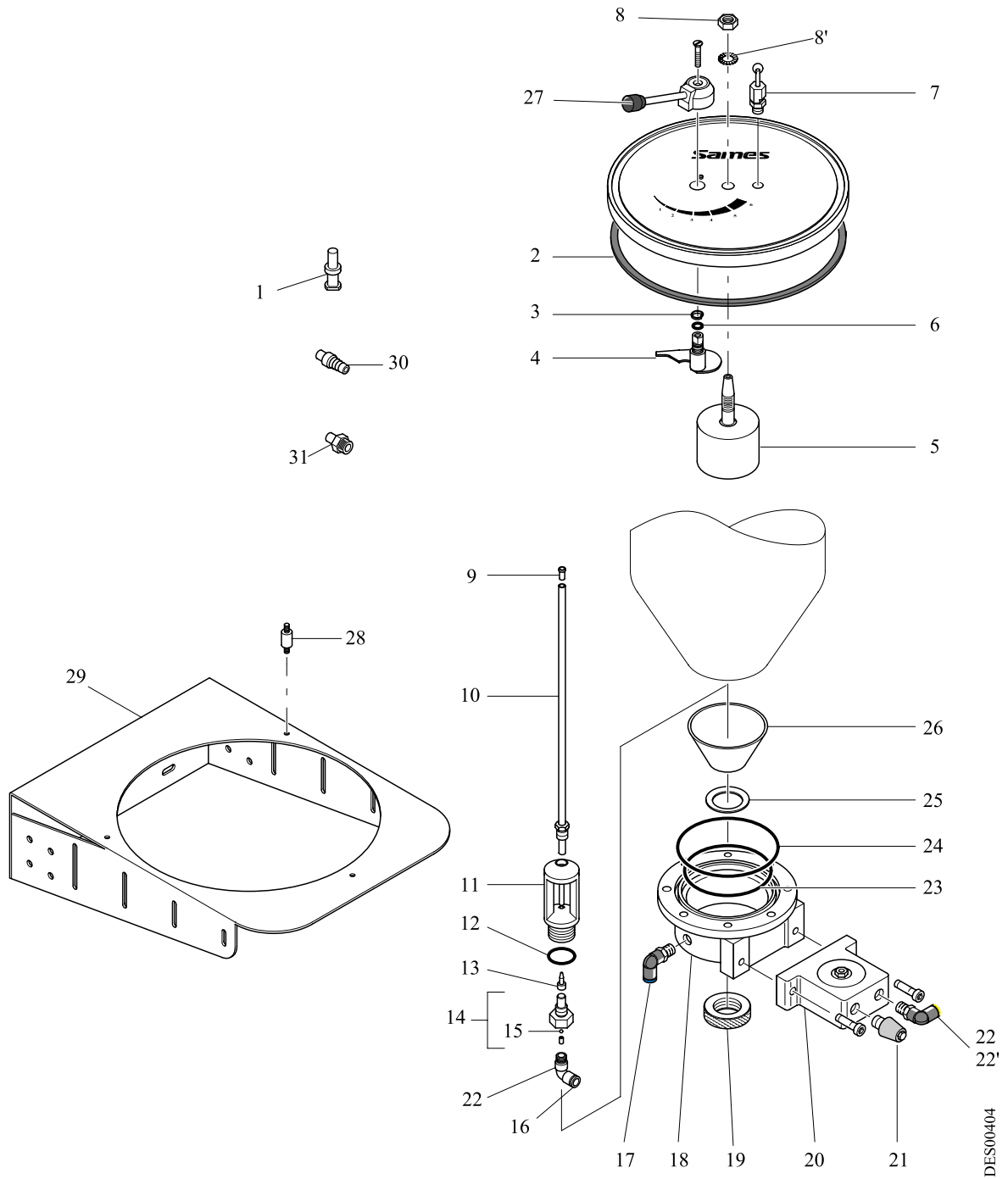


DES00405

10. Troubleshooting

Symptoms	Probable causes	Remedies
The powder comes out in spurts.	Inadequate powder fluidization.	Increase the fluidization air pressure (see installation instructions) Change the porous cone if it is clogged.
	Diameter of powder supply hose unsuitable.	Use a hose adapted to the desired flow-rate: Dia: 6/9 for the "low flow-rate" D: 8/12 for the ""high flow-rate" .
	Seal (Item 12) missing see § 11 page 9.	Fit a seal (Item 12) see § 11 page 9

11. Spare Parts



DES00404

Item	Part number	Description	Qty	Unit of sale
	1504721	Complete tank CSV 217	1	1
1	F6RLZX396	Plug	1	10
2	440014	Cover seal	1	1
3	J3TSEG121	Ring	1	1
4	1203225	Shutter with shaft	1	1
5	440005	Funnel	1	1
6	J2CTCN021	O-ring	1	6
7	F1SSRL015	Quick release valve	1	1
8	X2BEHU012	Nut, H M 12	1	1
8'	X2BDZU012	Tooth washer M 12	1	1
9	441216	End-piece	1	1
10	441998	Powder ejector tube	1	1
11	442001	Body	1	1
12	J2CTCN067	O-ring	1	5
13	1405926	Injector calibre 17	1	1
	1405927	Injector calibre 27	Option	1
14	456423	Piston assembly	1	1
15	K6RKBL118	Ball	1	5
16	F6RLZB403	Red collar	1	10
17	F6RLCS184	Elbow union	1	1
17'	F6RLZB410	Blue cap	1	1
18	325829	Fluidization chamber	1	1
19	440021	Nut	1	1
20	K3VARC009	Vibrator with silencer	1	1
21	F2SSIL015	Silencer alone	1	1
22	F6RLCS185	Elbow union	1	1
22'	F6RLZB405	Yellow collar	1	10
23	J2CTCN190	O-ring	1	1
24	J2CTCN229	O-ring	1	2
25	440022	Flat seal	1	5
26	302398	Porous cone	1	1
27	Q1BPGN139	Lever	1	1
28	305381	Plastic support	3	1
29	1200602	CSV 217 support	1	1
30	F6RLJF311	Quick-release union	1	1
31	1409627	Powder pipe connector	1	1