



DOCUMENTATION - DOKUMENTATION - DOCUMENTACIÓN

POMPE / PUMP / PUMPE / BOMBA

40-25 F

AIRLESS®

Notice / Manual / Betriebsanleitung / Libro : 582.034.110 - 1605

Date / Datum / Fecha : 27/05/16

Annule / Supersede / Ersetzt / Anula :

Modif. / Änderung :

**NOTICE ORIGINALE / TRANSLATION FROM THE ORIGINAL MANUAL**  
**/ ÜBERSETZUNG DER ORIGINAL BETRIEBSANLEITUNG**  
**/ TRADUCCIÓN DEL MANUAL ORIGINAL**

**IMPORTANT : Lire attentivement tous les documents avant le stockage, l'installation ou la mise en service du matériel concerné (à usage strictement professionnel).**

**Before assembly and start-up, please read and clearly understand all the documents relating to this equipment (professional use only).**

**WICHTIGER HINWEIS: Vor Lagerung, Installation oder Inbetriebnahme des Geräts bitte sämtliche Dokumente sorgfältig lesen (Einsatz nur von geschultem Personal).**

**IMPORTANTE : Lea con atención todos los documentos antes de almacenar, instalar o poner en marcha el equipo (uso exclusivamente profesional).**

PHOTOS ET ILLUSTRATIONS NON CONTRACTUELLES. MATÉRIELS SUJETS A MODIFICATION(S) SANS PREAVIS.

THE PICTURES AND DRAWINGS ARE NON CONTRACTUAL. WE RESERVE THE RIGHT TO MAKE CHANGES WITHOUT PRIOR NOTICE.

ALLE IN DIESEM DOKUMENT ENTHALTENEN SCHRIFTLICHEN ANGABEN UND ABBILDUNGEN STELLEN DIE NEUESTEN PRODUKTINFORMATIONEN DAR. WIR BEHALTEN UNS DAS RECHT VOR, JEDERZEIT OHNE VORANKÜNDIGUNG ÄNDERUNGEN VORZUNEHMEN.

LAS FOTOGRAFÍAS E ILUSTRACIONES NO SON VINCULANTES. LOS MATERIALES ESTÁN SUJETOS A CAMBIOS SIN PREVIO AVISO.

**KREMLIN - REXSON**

150, avenue de Stalingrad

93 245 - STAINS CEDEX - France

☎ : 33 (0)1 49 40 25 25      Fax : 33 (0)1 48 26 07 16

**[www.kremlin-rexson.com](http://www.kremlin-rexson.com)**



# INSTALLATION AND SAFETY INSTRUCTIONS

## TRANSLATION OF THE ORIGINAL MANUAL

**IMPORTANT** : Before assembly and start-up, please read and clearly understand all the documents relating to this equipment (professional use only).

*THE PICTURES AND DRAWINGS ARE NON CONTRACTUAL. WE RESERVE THE RIGHT TO MAKE CHANGES WITHOUT PRIOR NOTICE.*

### **KREMLIN - REXSON**

150, avenue de Stalingrad

93 245 - STAINS CEDEX – France

**☎** : 33 (0)1 49 40 25 25      *Fax* : 33 (0)1 48 26 07 16

**[www.kremlin-rexson.com](http://www.kremlin-rexson.com)**

# 1. SAFETY INSTRUCTIONS

## GENERAL SAFETY INSTRUCTIONS



**CAUTION** : The equipment can be dangerous if you do not follow our instructions concerning installation and servicing described in this manual and in accordance with applicable European standards and local national safety regulations.

Please carefully read all the instruction literature before operating your equipment.

**Only trained operators can use the equipment** (To acquire an essential training, please contact the "KREMLIN REXSON University" training center - Stains).

The foreman must ensure that the operator has understood the safety instructions for this equipment as well as the instructions in the manuals for the different parts and accessories.

Read carefully all instruction manuals, label markings before operating the equipment.



















Incorrect use may result in injury. This equipment is for professional use only. It must be used only for what it has been designed for. Never modify the equipment. The parts and accessories supplied must be regularly inspected. Defective or worn parts must be replaced.

**Guards (motor cover, coupling shields, connectors,...) have been designed for a safe use of the equipment.**  
**The manufacturer will not be held responsible for bodily injury or failure and / or property damage due to destruction, the overshadowing or the partial or total removal of the guards.**

**Never exceed the equipment components' maximum working pressure.**

Comply with regulations concerning safety, fire risks, electrical regulations in force in the country of final destination of the material. Use only products or solvent compatible with the parts in contact with the material (refer to data sheet of the material manufacturer).

## PICTOGRAMS

					
NIP HAZARD	WARNING MOVING ELEVATOR	WARNING MOVING PARTS	WARNING MOVING SHOVEL	DO NOT EXCEED THIS PRESSURE	HIGH PRESSURE HAZARD
					
RELIEF OR DRAIN VALVE	WARNING HOSE UNDER PRESSURE	WEAR GLASSES OBLIGATORY	WEAR OF GLOVES IS OBLIGATORY	PRODUCT VAPOR HAZARDS	WARNING HOT PARTS OR AREAS
					
ELECTRICAL HAZARD	WARNING FIRE HAZARDS	EXPLOSION HAZARDS	GROUNDING	WARNING (USER)	WARNING SERIOUS INJURIES

## FIRE - EXPLOSION - SPARKS - STATIC ELECTRICITY HAZARDS

A poor earth connection, inadequate ventilation, sparks or static electricity can cause an explosion or fire. to avoid these risks when using or servicing KREMLIN REXSON equipment, the following safety procedures must be followed :



- ensure a good earth connection and ground the parts to be handled i.e. solvents, materials, components and equipment,
- ensure adequate ventilation,
- keep working area clean and free from waste solvents, chemicals, or solid waste i.e. rags, paper and empty chemicals drums,
- never use electrical switches / power if in an atmosphere of volatile solvent vapour,
- stop working immediately in case of electrical arcs,
- never store chemicals and solvents in the working area.
- use paint whose flash point is the highest possible to prevent from any formation of gas and inflammable vapours (refer to materials' safety instructions),
- install a cover on the drums to reduce the diffusion of gas and vapours in the spraybooth.

## TOXIC PRODUCT HAZARDS

Toxic products or vapours can cause severe injury not only through contact with the body, but also if the products are ingested or inhaled. It is imperative :



- to know the material products and their risks,
- notified or hazardous materials must be stored in accordance with the regulations,
- the material must be stored in an appropriate container, never place materials in a container where there is a risk of spillage or leakage,
- a procedure must be applied for the safe disposal of waste material. It must comply with all prevailing regulations and legislations of the country where the equipment is to be used,
- protective clothing should always be worn in compliance with the material manufacturers' recommendations,
- depending on the application and chemical safety instructions, safety glasses, hearing protective earplug, gloves, foot wear, protective masks and possible breathing equipment should be worn to comply with the regulations (Refer to chapter "Safety equipment of KREMLIN selection guide).



### **CAUTION!**



It is forbidden to use material containing high concentrations of halogenated hydrocarbon solvents with **aluminium or zinc fillers** .Non-compliance with the instructions may cause explosion risk causing serious or fatal injury.

## **EQUIPMENT REQUIREMENTS**

**Guards (motor cover, coupling shields, connectors,...) have been designed for a safe use of the equipment.**

**The manufacturer will not be held responsible for bodily injury or failure and / or property damage due to destruction, the overshadowing or the partial or total removal of the guards.**

### **PUMP**



Before carrying out any work, it is imperative to read and clearly understand the disassembly and reassembly instructions before servicing. The operator must understand the equipment and the safety instructions. These instructions are available in the equipment manuals.



The air motor is designed to be mounted with a pump. Never modify any components or couplings. When operating, please keep hands away from moving parts. Before starting up the equipment, please read the PRESSURE RELIEF instructions. Please ensure that any relief or drain valves fitted are in good working order.

### **HOSES**

- Keep hoses out of circulation areas, moving parts or hot surfaces,
- Never expose product hoses to temperature higher than + 60°C / 140° F or lower than 0°C / 32° F,
- Never pull or use the hoses to move the equipment,
- Tighten all fittings as well as the hoses before operating the equipment,
- Check the hoses regularly; change them if they are damaged,
- Never exceed the working pressure (WP) indicated on the hose.

## **USED PRODUCTS**

Considering the wide variety of products that are available and can be used in our equipment it is impossible to check and make recommendations for all chemical data, regarding the risks of possible chemical attack and their long term chemical reaction

KREMLIN REXSON can not be held liable for :

- Compatibility of wetted parts,
- Risks to staff and the surroundings,
- for worn or defective parts, for faulty equipment or units, or the quality of final product.

It is the responsibility of the user to know and prevent any possible risks such as toxic vapours, fires or explosions. He shall determine the risks of immediate reactions or pursuant to repeated exposures of the staff,

KREMLIN REXSON shall not be liable for physical injuries, direct or indirect material damages caused by the use of chemicals.

## 2. HANDLING



### **Check the weight and the dimensions of the equipment**

**(☞ refer to 'Technical features' section of the instruction manual**

If weight and dimensions are too important, the unloading must be carried out by means of a forklift or any other appropriate means with a qualified personnel and in a clear horizontal area to prevent from risks of damage injury or an accident.

The centre of gravity is not in the centre of the machine : carry out by hand a stability-test after having lifted the whole at 10 cm / 3.937" maximum.

After the unloading, the handling of the whole (eg: elevator pump) is carried out by means of a pallet truck taking the bottom part of the frame.

**Remark : Each pump motor is fitted with a ring. The ring is designed for the hoisting of one pump and can not be used for the handling of the complete machine.**

## 3. STORING

Storing before installation :

- Storing ambient temperature : 0 / +50 °C / 0 / +122°F
- Protect the whole against dust, water trickling, dampness and shocks.

Storing after installation :

- Operating temperature : +15 / +35 °C / +59 / +138.2° F
- Protect the whole against dust, water trickling, dampness and shocks.

## 4. INSTALLATION OF THE EQUIPMENT

The machine is installed on a stable horizontal floor (for eg a concrete flag).



**To avoid risks caused by static electricity, the equipment as well as its components must be grounded.**

- **For the pumping equipments** (pumps, pneumatic rams, frame...), a section wire of 2.5 mm<sup>2</sup> is fixed on the material. Use this wire to connect the material to "the general ground". In case of severe environments (mechanical protection of the wire of earthing insufficient, vibrations, mobile material...) where function damages at the ground are probable, the user have to replace the provided wire of 2.5 mm<sup>2</sup> by a device more adapted to its environment (wire with a more important section, bonding strip, fixing by thimble with eyelet...),

The continuity of the ground must be controlled by a qualified electrician. If the continuity of the ground is not ensured, check the terminal, the wire and the earthing point. **Never** use the material without have solved this problem.

- In the severe cases of environments (mechanical protection of the wire of earthing insufficient, vibrations, mobile material...) where damages of the function put at the ground are probable, the user will have to replace the wire of 2.5 mm<sup>2</sup> provided, by a device more adapted to its environment (wire of more important section, bonding strip, fixing by thimble with eyelet...),
- **The gun** must be 'grounded' via a material hose or an air hose. In case of spraying by means of a gun with cup, the air hose must be conductive,
- **The materials to be painted** must also be grounded.

**All the materials situated in the working area shall be grounded.**



- **Never store** more than necessary inflammable materials inside the working area,
- The materials must be stored into **approved drums** and grounded,
- Use only grounded **metals containers** for the use of cleaning solvents,
- **Cardboard and paper are prohibited.**

## 5. MARKING OF THE EQUIPMENT

Each equipment has a marking plate.

The plate consists of the name of the manufacturer, the equipment part number and important information for correct use of the equipment (air pressure, electric power,...).



<p align="center"><b>FR</b></p> <p><b>Pour une utilisation sûre, il est de votre responsabilité de :</b></p> <ul style="list-style-type: none"> <li>• Lire attentivement tous les documents contenus dans le CD joint avant la mise en service de l'équipement,</li> <li>• D'installer, d'utiliser, d'entretenir et de réparer l'équipement conformément aux préconisations de KREMLIN REXSON ainsi qu'aux réglementations nationales et/ou locales,</li> <li>• Vous assurez que les utilisateurs de cet équipement ont été formés, ont parfaitement compris les règles de sécurité et qu'ils les appliquent.</li> </ul>	<p align="center"><b>UK</b></p> <p><b>To ensure safe use of the machinery, it is your responsibility to:</b></p> <ul style="list-style-type: none"> <li>• Carefully read all documents contained on the enclosed CD before putting the machinery into service,</li> <li>• Install, use, maintain and repair the machinery in accordance with KREMLIN REXSON's recommendations and national and/or local regulations,</li> <li>• Make sure that the users of the machinery have received proper training and that they have perfectly understood the safety rules and apply them.</li> </ul>	<p align="center"><b>DE</b></p> <p><b>Eine sichere Nutzung setzt voraus, dass Sie: :</b></p> <ul style="list-style-type: none"> <li>• alle in der CD enthaltenen Dokumente vor der Inbetriebnahme der Anlage aufmerksam lesen,</li> <li>• die Anlage im Einklang mit den Empfehlungen von KREMLIN REXSON sowie mit den nationalen und/oder lokalen Bestimmungen installieren, verwenden, warten und reparieren,</li> <li>• sich vergewissern, dass die Nutzer dieser Anlage angemessen geschult wurden, die Sicherheitsbestimmungen verstanden haben und sie anwenden.</li> </ul>
<p align="center"><b>ES</b></p> <p><b>Para una utilización segura, será de su responsabilidad:</b></p> <ul style="list-style-type: none"> <li>• leer atentamente todos los documentos que se incluyen en el CD adjunto antes de la puesta en servicio del equipo,</li> <li>• instalar, utilizar, efectuar el mantenimiento y reparar el equipo con arreglo a las recomendaciones de KREMLIN REXSON y a la normativa nacional y/o local,</li> <li>• cerciorarse de que los usuarios de este equipo han recibido la formación necesaria, han entendido perfectamente las normas de seguridad y las aplican.</li> </ul>	<p align="center"><b>IT</b></p> <p><b>Per un uso sicuro, vi invitiamo a:</b></p> <ul style="list-style-type: none"> <li>• leggere attentamente tutta la documentazione contenuta nel CD allegato prima della messa in funzione dell'apparecchio,</li> <li>• installare, utilizzare, mantenere e riparare l'apparecchio rispettando le raccomandazioni di KREMLIN REXSON, nonché le normative nazionali e/o locali,</li> <li>• accertarvi che gli utilizzatori dell'apparecchio abbiano ricevuto adeguata formazione, abbiano perfettamente compreso le regole di sicurezza e le applichino.</li> </ul>	<p align="center"><b>PT</b></p> <p><b>Para uma utilização segura, é da sua responsabilidade:</b></p> <ul style="list-style-type: none"> <li>• Ler atentamente todos os documentos incluídos no CD em anexo antes de pôr o equipamento em funcionamento,</li> <li>• Proceder à instalação, utilização, manutenção e reparação do equipamento de acordo com as preconizações de KREMLIN REXSON, bem como com outros regulamentos nacionais e/ou locais aplicáveis,</li> <li>• Assegurar-se que os utilizadores do equipamento foram devidamente capacitados, compreenderam perfeitamente e aplicam as devidas regras de segurança.</li> </ul>
<p align="center"><b>NL</b></p> <p><b>Voor een veilig gebruik dient u:</b></p> <ul style="list-style-type: none"> <li>• alle document op de bijgevoegde cd aandachtig te lezen alvorens het apparaat in werking te stellen,</li> <li>• het apparaat te installeren, gebruiken, onderhouden en repareren volgens de door KREMLIN REXSON gegeven aanbevelingen en overeenkomstig de nationale en/of plaatselijke reglementeringen,</li> <li>• zeker te stellen dat de gebruikers van dit apparaat zijn opgeleid, de veiligheidsregels perfect hebben begrepen en dat zij die ook toepassen.</li> </ul>	<p align="center"><b>SE</b></p> <p><b>För en säker användning av utrustningen ansvarar ni för följande:</b></p> <ul style="list-style-type: none"> <li>• Läs noga samtliga dokument som finns på den medföljande cd-skivan innan utrustningen tas i drift.</li> <li>• Installera, använd, underhåll och reparera utrustningen enligt anvisningarna från KREMLIN REXSON och enligt nationella och/eller lokala bestämmelser.</li> <li>• Försäkra er om att användare av denna utrustning erhållit utbildning, till fullo förstått säkerhetsföreskrifterna och tillämpar dem.</li> </ul>	<p align="center"><b>FI</b></p> <p><b>Käytön turvallisuuden varmistamiseksi velvollisuutesi on:</b></p> <ul style="list-style-type: none"> <li>• Lukea huolella kaikki CD:llä olevat asiakirjat ennen laitteiston käyttöönottoa,</li> <li>• Noudattaa laitteiston asennuksessa, käytössä, kunnossapidossa ja huollossa KREMLIN REXSON in suosituksia sekä kansallisia ja/tai paikallisia määräyksiä,</li> <li>• Varmistaa, että laitteiston käyttäjät ovat koulutettuja ja ymmärtävät täysin turvallisuusmääräykset ja miten niitä sovelletaan.</li> </ul>
<p align="center"><b>PL</b></p> <p><b>Dla zapewnienia bezpiecznego użytkowania na użytkownika spoczywa obowiązek:</b></p> <ul style="list-style-type: none"> <li>• Uważnego zapoznania się ze wszystkimi dokumentami znajdującymi się na załączonej płycie CD przed pierwszym uruchomieniem urządzenia,</li> <li>• Instalowania, użytkowania, konserwacji i naprawy urządzenia zgodnie z zaleceniami firmy KREMLIN REXSON oraz z przepisami miejscowymi,</li> <li>• Upewnienia, że wszyscy przeszkoleni użytkownicy urządzenia zrozumieli zasady bezpieczeństwa i stosują się do nich.</li> </ul>	<p align="center"><b>CS</b></p> <p><b>Pro bezpečné používání jste povinni:</b></p> <ul style="list-style-type: none"> <li>• Před uvedením zařízení do provozu si pozorně přečíst veškeré dokumenty obsažené na příloženém CD,</li> <li>• Nainstalovat, používat, udržovat a opravovat zařízení v souladu s pokyny firmy KREMLIN REXSON a s národními a/nebo místními legislativními předpisy,</li> <li>• Ujistit se, že uživatelé tohoto zařízení byli vyškoleni, že dokonale pochopili bezpečnostní pravidla a že je dodržují.</li> </ul>	<p align="center"><b>RU</b></p> <p><b>Для целей безопасного использования необходимо:</b></p> <ul style="list-style-type: none"> <li>• Ознакомиться со всеми документами, содержащимися в прилагаемом компакт-диске до ввода оборудования в эксплуатацию;</li> <li>• Устанавливать, использовать, производить техническое обслуживание и ремонт оборудования в соответствии с рекомендациями KREMLIN REXSON и национальным и/или местным законодательством;</li> <li>• Убедиться, что пользователи настоящего оборудования прошли подготовку, надлежащим образом усвоили правила безопасности и обеспечивают их соблюдение.</li> </ul>

Déclaration(s) de conformité au verso de ce document / Declaration(s) of conformity at the back of this document / Konformitätserklärung(en) auf der Rückseite dieser Unterlage / Declaración (es) de conformidad en el reverso de este documento / Dichiarazione/i di conformità sul retro del presente documento / Declaração(ões) de conformidade no verso do documento / Conformiteitsverklaring(en) op de keerzijde van dit document / Försäkran om överensstämmelse på omstående sida av detta dokument / Vaatimustenmukaisuusvakuutukset tämän asiakirjan kääntöpuolella / Deklaracja(e) zgodności na odwrocie dokumentu / Prohlášení o shodě se nachází/nacházejí na zadní straně tohoto dokumentu / Сертификат(ы) соответствия расположены на оборотной стороне настоящего документа



**VALABLE JUSQU'AU 19 AVRIL 2016**  
**VALID UNTIL 19 APRIL 2016**  
**GÜLTIG BIS ZUM 19. APRIL 2016**  
**VALIDEZ HASTA EL 19 DE ABRIL DE 2016**  
**VALIDO FINO AL 19 APRILE 2016**  
**APLICÁVEL ATÉ 19 DE ABRIL DE 2016**  
**GELDIG TOT 19 APRIL 2016**  
**GÄLLER TILL OCH MED DEN 19 APRIL 2016**  
**VOIMASSA 19.4.2016 SAAKKA**  
**WAŻNOŚĆ DO 19 KWIETNIA 2016 R.**  
**PLATÍ DO 19. DUBNA 2016**  
**ДЕЙСТВИТЕЛЬНО ДО 19 АПРЕЛЯ 2016 ГОДА**



**DECLARATION CE DE CONFORMITE**  
**EC DECLARATION OF CONFORMITY**  
**EG KONFORMITÄTSEKTLÄRUNG**  
**DECLARACIÓN CE DE CONFORMIDAD**  
**DICHIARAZIONE CE DI CONFORMITÀ**  
**DECLARAÇÃO CE DE CONFORMIDADE**  
**EG-VERKLARING VAN OVEREENSTEMMING**  
**EG-FÖRSÄKRAN OM ÖVERENSSTÄMMELSE**  
**EY-VAATIMUKSEN MUKAISUUSVAKUUTUS**  
**DEKLARACJA ZGODNOŚCI CE**  
**CE PROHLÁŠENÍ O SHODĚ**  
**ДЕКЛАРАЦИЯ СООТВЕТСТВИЯ CE**

Le fabricant / The manufacturer / Der Hersteller / El fabricante / Il produttore / O fabricante / De fabrikant / Tillverkare / Valmistaja / Producent / Výrobce / Изготовитель:	<b>KREMLIN REXSON</b> 150, avenue de Stalingrad 93 240 - STAINS - FRANCE Tél. 33 (0)1 49 40 25 25 - Fax : 33 (0)1 48 26 07 16
--	--

Déclare que le matériel désigné ci-après / Herewith declares that the equipment / erklärt hiermit, dass die / Declara que el material designado a continuación / Dichiaro che il materiale sottoindicato / Declara que o material a seguir designado / verklaart dat de hieronder aangeduide apparatuur / Kungör att den utrustning som anges här nedan / ilmoittaa, että alla mainitut laitteistot / Oświadczka, że wymienione poniżej urządzenia / Prohlašuje, že níže uvedené vybavení / Декларирует, что ниженазванное оборудование:

**POMPES AIRLESS® FLOWMAX® / AIRLESS PUMPS - FLOWMAX®**  
**/ AIRLESS® PUMPE - FLOWMAX® / BOMBAS AIRLESS FLOWMAX®**

34 A2	40-25 F	
	40-50 F	
	40-130 F	40-130 F2
	65-130 F	65-130 F2

Est conforme à la législation d'harmonisation de l'Union applicable suivante / Is in conformity with the relevant Union harmonisation legislation / Erfüllt die einschlägigen Harmonisierungsrechtsvorschriften der Union / es conforme con la legislación de armonización pertinente de la Unión / è conforme alla pertinente normativa di armonizzazione dell'Unione / in overeenstemming met de desbetreffende harmonisatiewetgeving van de Unie / med den relevanta harmoniserade unionslagstiftningen / on asiaa koskevan unionin yhdenmukaistamislainsäädännön vaatimusten mukainen / jest zgodny z odpowiednimi wymaganiami unijnego prawodawstwa harmonizacyjnego / Shoduje se s následující příslušnou evropskou harmonizační legislativou / Соответствует следующим стандартизированным нормам Союза

Directive ATEX / ATEX Directive / ATEX Richtlinie / Directiva ATEX / Direttiva ATEX / Diretiva ATEX / ATEX-Richtlijn / ATEX-direktivet / ATEX-direktivi / Dyrektywa ATEX / Směrnice ATEX / Директива ATEX 	<b>94/9/CE</b>
---	----------------

Dominique LAGOUGE

Directeur Général / Chief Executive Officer / Generaldirektor / Director General / Direttore Generale / Director Geral / Algemeen Directeur / Generaldirektör / Pääjohtaja / Dyrektor Naczelny / Dyrektor Generalny / Generální ředitel / Генеральный директор

Fait à Stains, le / Established in Stains, on / Geschehen zu Stains, am / En Stains, a / Redatto a Stains, / Vastgesteld te Stains, / Utformat i Stains, den / Stains, Ranska, / Sporządzono w Stains, dnia / Stains, dnia / Издано в г. Стен (Stains) 21/01/2010 - 01/21/2010

**VALABLE A PARTIR DU 20 AVRIL 2016**  
**VALID FROM 20 APRIL 2016**  
**GÜLTIG AB DEM 20. APRIL 2016**  
**VALIDEZ A PARTIR DEL 20 DE ABRIL DE 2016**  
**VALIDO A PARTIRE DAL 20 APRILE 2016**  
**APLICÁVEL A PARTIR DE 20 DE ABRIL DE 2016**  
**GELDIG VANAF 20 APRIL 2016.**  
**GÄLLER FRÅN OCH MED DEN 20 APRIL 2016**  
**VOIMASSA 20.4.2016 ALKAEN**  
**WAŻNOŚĆ OD 20 KWIETNIA 2016 R.**  
**PLATÍ OD 20. DUBNA 2016**  
**ДЕЙСТВИТЕЛЬНО С 20 АПРЕЛЯ 2016 ГОДА**



**DECLARATION UE DE CONFORMITE**  
**UE DECLARATION OF CONFORMITY**  
**EU-KONFORMITÄTSEKTLÄRUNG**  
**DECLARACIÓN UE DE CONFORMIDAD**  
**DICHIARAZIONE DI CONFORMITÀ UE**  
**DECLARAÇÃO UE DE CONFORMIDADE**  
**EU-CONFORMITEITSVERKLARING**  
**EU-FÖRSÄKRAN OM ÖVERENSSTÄMMELSE**  
**EU-VAATIMUKSEN MUKAISUUSVAKUUTUS**  
**DEKLARACJA ZGODNOŚCI UE**  
**EU PROHLÁŠENÍ O SHODĚ**  
**ДЕКЛАРАЦИЯ О СООТВЕТСТВИИ НОРМАМ ЕС**

Le fabricant / The manufacturer / Der Hersteller / El fabricante / Il produttore / O fabricante / De fabrikant / Tillverkare / Valmistaja / Producent / Výrobce / Изготовитель:	<b>KREMLIN REXSON</b> 150, avenue de Stalingrad 93 240 - STAINS - FRANCE Tél. 33 (0)1 49 40 25 25 - Fax : 33 (0)1 48 26 07 16
--	--

Déclare que le matériel désigné ci-après / Herewith declares that the equipment / erklårt hiermit, dass die / Declara que el material designado a continuación / Dichiaro che il materiale sottoindicato / Declara que o material a seguir designado / verklaart dat de hieronder aangeduide apparatuur / Kungör att den utrustning som anges här nedan / ilmoittaa, että alla mainitut laitteistot / Oświadczka, że wymienione poniżej urządzenia / Prohlašuje, že níže uvedené vybavení / Декларирует, что ниженазванное оборудование:

**POMPES AIRLESS® FLOWMAX® / AIRLESS PUMPS - FLOWMAX®**  
**/ AIRLESS® PUMPE - FLOWMAX® / BOMBAS AIRLESS FLOWMAX®**

34 A2	40-25 F	
	40-50 F	
	40-130 F	40-130 F2
	65-130 F	65-130 F2

Est conforme à la législation d'harmonisation de l'Union applicable suivante / Is in conformity with the relevant Union harmonisation legislation / Erfüllt die einschlägigen Harmonisierungsrechtsvorschriften der Union / es conforme con la legislación de armonización pertinente de la Unión / è conforme alla pertinente normativa di armonizzazione dell'Unione / in overeenstemming met de desbetreffende harmonisatiewetgeving van de Unie / med den relevanta harmoniserade unionslagstiftningen / on asiaa koskevan unionin yhdenmukaistamislainsäädännön vaatimusten mukainen / jest zgodny z odpowiednimi wymaganiami unijnego prawodawstwa harmonizacyjnego / Shoduje se s následující příslušnou evropskou harmonizační legislativou / Соответствует следующим стандартизированным нормам Союза

Directive ATEX / ATEX Directive / ATEX Richtlinie / Directiva ATEX / Direttiva ATEX / Diretiva ATEX / ATEX-Richtlijn / ATEX-direktivet / ATEX-direktivi / Dyrektywa ATEX / Směrnice ATEX / Директива ATEX 	<b>2014/34/UE</b>
Procédure d'évaluation de la conformité : Module A Documentation technique (Annexe VIII) archivée par : / Conformity assessment procedure: Module A Technical documentation (ANNEX VIII) recorded by: / Verfahren zur Konformitätsbewertung: Modul A Technische Unterlagen (ANLAGE VIII) archiviert durch: / Procedimiento de evaluación de la conformidad: Módulo A Documentación técnica (ANEXO VIII) archivada por: / Procedura di valutazione della conformità: Modulo A Documentazione tecnica (ALLEGATO VIII) archiviata a cura di: / Procedimento de avaliação da conformidade: Módulo A Documentação técnica (ANEXO VIII) arquivada por: / Conformiteitsbeoordelingsprocedure: Module A Technische documentatie (BIJLAGE VIII) gearkiveerd door: / Förfarande för bedömning av överensstämmelse: Modul A Teknisk dokumentation (BILAGA VIII) arkiverad av: / Vaatimustenmukaisuusarviointimenetelmä: moduuli A Tekninen dokumentaatio (LIITE VIII) arkistoitu: / Procedura oceny zgodności: Moduł A Dokumentacji technicznej (ZAŁĄCZNIK VIII) zarchiwizowane przez: / Postup posuzování shody: Modul A Technická dokumentace (PŘÍLOHA VIII) archivována: / Процедура оценки соответствия: Модуль A Техническая документация (ПРИЛОЖЕНИЕ VIII), архивированная: ISSeP Zoning A. Schweitzer Rue de la Platerie B - 7340 COLFONTAINE BELGIQUE	

Dominique LAGOUGE

Directeur Général / Chief Executive Officer / Generaldirektor  
 / Director General / Direttore Generale / Director Geral / Algemeen  
 Directeur / Generaldirektör / Pääjohtaja / Dyrektor Naczelny  
 / Dyrektor Generalny / Generální ředitel / Генеральный директор

Fait à Stains, le / Established in Stains, on / Geschehen zu Stains, am / En Stains, a / Redatto a Stains, / Vastgesteld te Stains, / Utformat i Stains, den / Stains, Ranska, / Sporządzono w Stains, dnia / Stains, dnia / Издано в г. Стен (Stains) 13/04/2016 - 04/13/2016



## **AIRLESS PUMP**

**40-25 F**

***Disassembly / Reassembly***

### **TRANSLATION FROM THE ORIGINAL MANUAL**

***IMPORTANT : Before assembly and start-up, please read and clearly understand all the documents relating to this equipment (professional use only).***

THE PICTURES AND DRAWINGS ARE NON CONTRACTUAL. WE RESERVE THE RIGHT TO MAKE CHANGES WITHOUT PRIOR NOTICE.

#### **KREMLIN - REXSON**

150, avenue de Stalingrad

93 245 - STAINS CEDEX – France

**☎** : 33 (0)1 49 40 25 25      **Fax** : 33 (0)1 48 26 07 16

**[www.kremlin-rexson.com](http://www.kremlin-rexson.com)**



---

---

**CAUTION :**

Before any action on the pump, shut off the compressed air supply and depressurize the system.

---

---

**The pump is manufactured under the ATEX agreement and can not be modified. KREMLIN REXSON will not be held responsible for any failure to comply with that instruction.**

---

---

**DISASSEMBLY / REASSEMBLY OF THE FLUID SECTION**

---

---

**Guards (air motor cover, coupling shields, housings ...) have been designed for safe use of the equipment.**

**The manufacturer will not be held responsible for bodily injury or failure and / or damage to property due to removal or partial removal of the guards**

Unscrew fitting (38) and screws (41 and 43) to remove attachment fluid tube (39).

▪ **SUCTION VALVE (DOC. 573.115.050)**

Unscrew suction valve (35) by holding cylinder (27).

The ball (22) is secured on the valve (35) by means of a circlips (21).

Clean the parts.

Reinstall suction valve (35) and seal (23). Replace them if necessary.

▪ **EXHAUST VALVE AND MOBILE PACKING**

Unscrew cylinder (27) and pull it downwards.

Unscrew stuffing-box (33) to release GT seal (31) from exhaust valve (34).

Unscrew exhaust valve (34) by holding piston (24).

Remove ball (32).

Clean the parts and reinstall them. Replace them if necessary.

▪ **UPPER TIGHTNESS SEAL**

Unscrew the 4 screws (30).

Remove tightness seal (28) by pulling discharge flange (25) downwards.

Replace tightness seal (28), O-Rings (29 and 11).

Reinstall the parts in the reverse order of the disassembly sequence.

## DISASSEMBLY / REASSEMBLY OF THE COUPLING (BELLOWS)

---

---

**Guards (air motor cover, coupling shields, housings ...) have been designed for safe use of the equipment.**

**The manufacturer will not be held responsible for bodily injury or failure and / or damage to property due to removal or partial removal of the guards**

**Disassemble the fluid section prior to carrying out the following procedure :**

### ▪ BELLOWS

Unscrew nuts (14) from the tie-rods.

Remove suction flange (1) and cylinder (2) by pulling them downwards.

Remove screws (12) to separate suction bearing (3) from air motor.

Dissociate intermediate piston (9) from air motor rod.

Remove coupling parts.

Remove bellows flange (4) by unscrewing screws (12) to free the upper part of the bellows.

Unscrew skirt (8) to free the lower part of the bellows. Replace bellows (5).

When installing bellows push it into skirt firmly (8).

Insert intermediate piston (9) into bellows (5) and screw the skirt at the piston end.

Insert bellows and piston (9) into the suction bearing (3).

Insert flange (4) in the suction bearing (3) and tighten the whole with screws (13).

Connect bellows-piston set to motor rod and secure the whole on the lower support of the air motor by using screws (12).

Reinstall fluid section piston (24) on intermediate piston (9).

Replace seals (11). Then install cylinder (2) and suction flange (1).

Install the whole on tie-rods and tighten it with nuts (14).

## AIR MOTOR

**Guards (air motor cover, coupling shields, housings ...) have been designed for safe use of the equipment.**

**The manufacturer will not be held responsible for bodily injury or failure and / or damage to property due to removal or partial removal of the guards**

### ▪ REVERSING BLOCK (DOC.573.087.040)

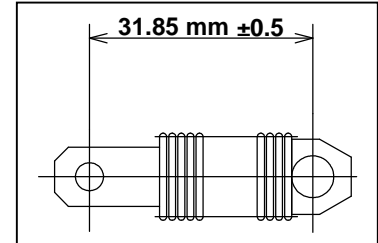
Disassemble cover (32) by removing the 3 CHc screws (33).

Dissociate female yoke (12) from reversing block lever (9).

Dismount reversing block by removing screws (10 and 8).

Reinstall the new reversing block in the reverse order of the disassembly sequence.

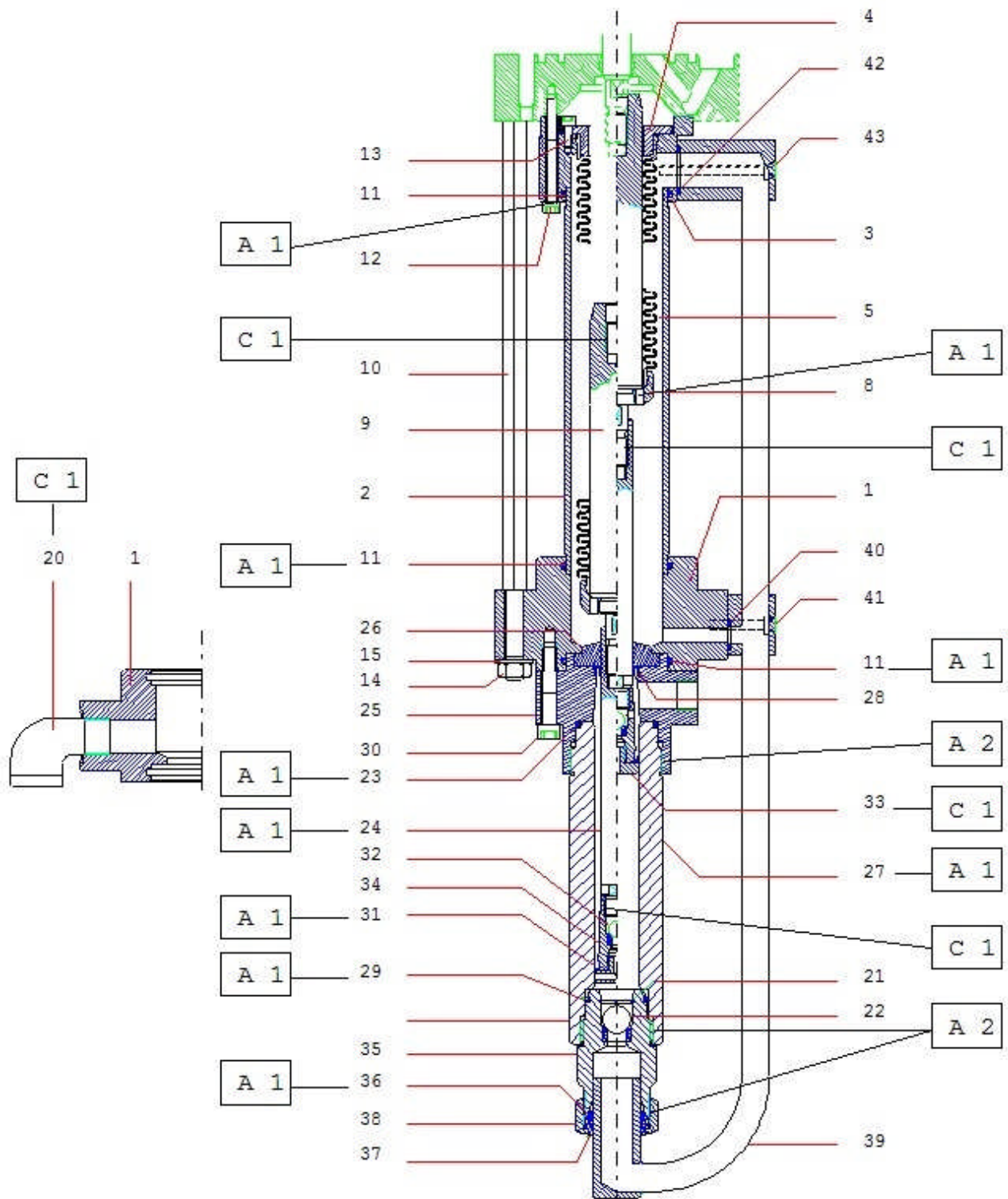
➡ **CAUTION :** The number of spirals must equally be distributed on each fastening parts to get the above dimension.



### Before reassembling :

- Clean the parts with the appropriate cleaning solvent.
- Install new seals if it is necessary after having lubricated them with PTFE grease.
- Lubricate the piston and the inside of the cylinder to prevent from damaging the seals.
- Install new parts if it is necessary.

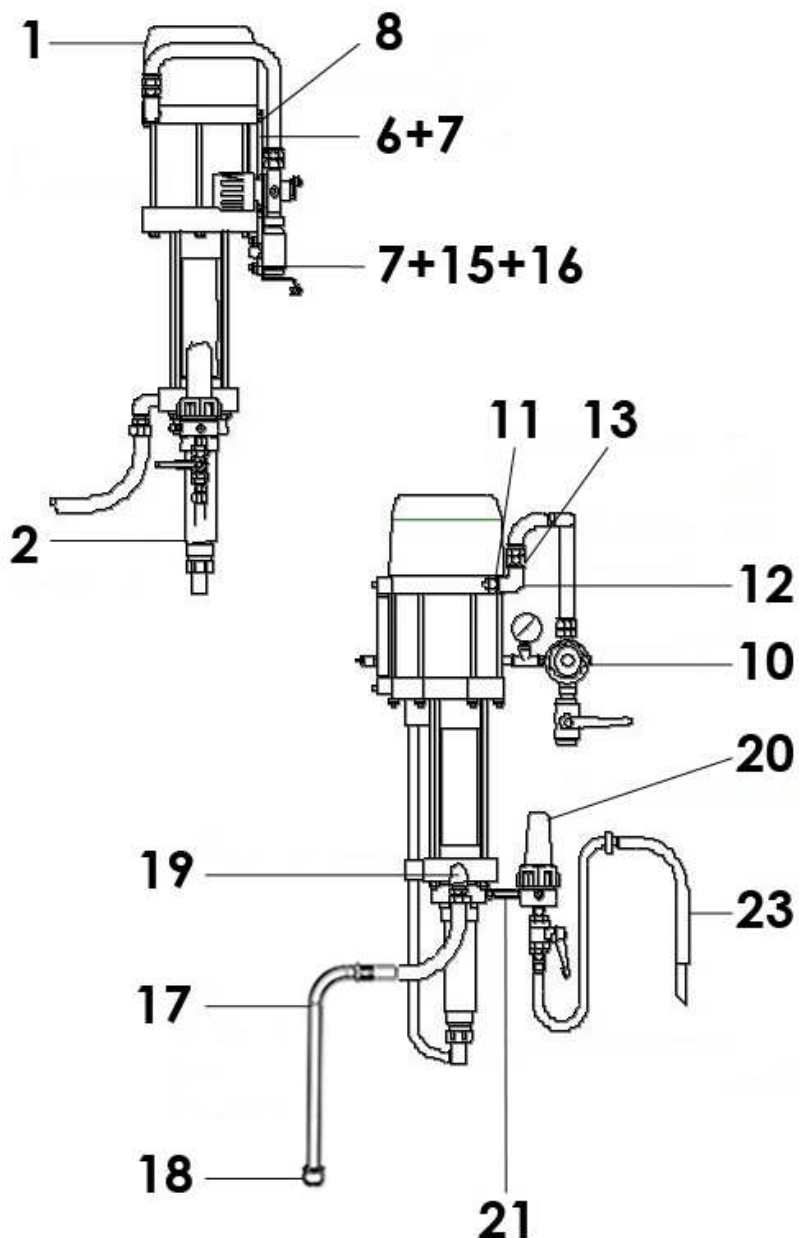
■ ASSEMBLY INSTRUCTIONS



Pos.	Montage-Hinweis	Bezeichnung	Artikel-Nr.
A 1	PTFE-Fett	PTFE Fett (10 ml)	560.440.101
A 2	Grafit Fett	Grafit Fett (450 g Dose)	560.420.005
C 1	Mittelfester anaerober Kleber	Loctite 577 (250 ml)	554.180.015

<b>Doc. 573.121.050</b> Date/Datum/Fecha : 19/02/14 Annule/Cancela/ Ersetzt/Anula : 12/03/12	<b>Modif. / Änderung :</b> # Ind. / Pos. 17 (049 596 110 → 149 596 150) + Ind. / Pos. 18 (149 591 400 → 149 596 152) + options / on request / optional / opciones	<b>Pièces de rechange</b> <b>Spare parts list</b> <b>Ersatzteilliste</b> <b>Piezas de repuesto</b>
---	---	---

<b>POMPE FLOWMAX®, modèle 40-25 F</b>	<b>FLOWMAX® PUMP, model 40-25 F</b>
<b>FLOWMAX® PUMPE, Modell 40-25 F</b>	<b>BOMBA FLOWMAX®, tipo 40-25 F</b>





<b>POMPE MURALE, modèle 40-25 F sans filtre</b>	<b>WALL MOUNTED PUMP, model 40-25 F without filter</b>	<b>#</b>  <b>151.776.100</b>
<b>WANDANLAGE, Modell 40-25 F ohne Filter</b>	<b>BOMBA MURAL, tipo 40-25 F sin filtro</b>	

Ind	#	Désignation	Description	Bezeichnung	Denominación	Qté
-	151 776 000	<b>Pompe 40.25 F nue</b>	<b>Bare pump, model 40.25 F</b>	<b>Pumpe 40.25 F, nackt</b>	<b>Bomba sola, tipo 40.25 F</b>	<b>1</b>
*1	146 275 000	▪ Moteur 1000-4 (voir Doc. 573.045.050)	▪ Air motor, model 1000-4 (refer to Doc. 573.045.050)	▪ Luftmotor 1000-4 (siehe Dok. 573.045.050)	▪ Motor, tipo 1000-4 (consultar Doc. 573 045 050)	1
*2	144 950 200	▪ Hydraulique FLOWMAX 25 F (voir Doc. 573.115.050)	▪ Fluid section,model FLOWMAX 25 F (refer to Doc. 573.115.050)	▪ FLOWMAX Hydraulikteil 25 F (siehe Dok. 573.115.050)	▪ Hidráulica FLOWMAX 25 F (consultar Doc. 573.115.050)	1
6	051 770 101	Plaque d'interface	Plate	Befestigungsplatte	Placa	1
7	933 011 279	Vis M 8 x 20	Screw, M 8 x 20	Schraube M 8 x 20	Tornillo, M 8 x 20	3
8	933 151 147	Vis CHc - M 8 x 10	Screw, CHc - M 8 x 10	Schraube CHc M 8 x10	Tornillo CHc - M 8 x 10	1
<b>10</b>	<b>151 790 160</b>	<b>Equipement d'air (voir Doc. 573.403.050)</b>	<b>Air supply (refer to Doc. 573.403.050)</b>	<b>Luftausrüstung (siehe Dok. 573.403.050)</b>	<b>Equipo de aire (consultar Doc. 573.403.050)</b>	<b>1</b>
11	904 523 006	Raccord, M 3/8 BSP - M 1/2 BSP	Fitting, double male, 3/8 BSP - 1/2 BSP	Doppelnippel AG 3/8 BSP - 1/2 BSP	Racor, M 3/8 BSP - M 1/2 BSP	1
12	904 123 004	Coude FF 1/2	Elbow, FF 1/2	Winkelnippel IG 1/2	Codo, HH 1/2	1
13	050 102 401	Raccord, M 1/2 BSP - M 3/4 NPS	Fitting, double male, 1/2 BSP - 3/4 NPS	Doppelnippel AG 1/2 BSP - 3/4 NPS	Racor, M 1/2 BSP - M 3/4 NPS	1
15	963 040 019	Rondelle MN 8	Washer, MN 8	Scheibe MN 8	Arandela, MN 8	2
16	953 010 019	Ecrou HM 8	Nut, HM 8	Mutter HM 8	Tuerca, HM 8	2
17	149 596 150	Canne d'aspiration Ø 25 (Lg. 600 mm)	Suction rod Ø 25 (Length 600 mm)	Saugschlauch Ø 25 (Länge 600 mm)	Caña de aspiración Ø 25 (Longitud 600 mm)	1
18	149 596 152	▪ Crépine Ø 25	▪ Strainer Ø 25	▪ Siebkörbe Ø 25	▪ Piña Ø 25	1
19	050 102 437	Raccord inox M 1/2 BSP - M 26 x 125	Fitting, stainless steel, double male, 1/2 BSP - 26 x 125	Doppelnippel Edelstahl AG 1/2 BSP - M 26 x 1,25	Racor inox M 1/2 BSP - M 26 x 125	1

<b>POMPE MURALE, modèle 40-25 F avec filtre</b>	<b>WALL MOUNTED PUMP, model 40-25 F with filter</b>	<b>#</b>  <b>151.776.200</b>
<b>WANDANLAGE , Modell 40-25 F mit Filter</b>	<b>BOMBA MURAL, tipo 40-25 F con filtro</b>	

Ind	#	Désignation	Description	Bezeichnung	Denominación	Qté
-	151 776 100	Pompe murale sans filtre	Wall mounted pump without filter	Wandpumpe ohne Filter	Bomba mural sin filtro	1
20	155 580 400	Filtre AIRLESS® inox 3/8 (voir Doc. 573.299.050)	AIRLESS filter 3/8, stainless steel (refer to Doc. 573.299.050)	AIRLESS® Filter 3/8, Edelstahl (Siehe Dok. 573.299.050)	Filtro AIRLESS® inox 3/8 (consultar Doc. 573.299.050)	1
21	055 580 301	Manchon inox MM 3/8 NPT	Sleeve, stainless steel MM 3/8 NPT	Muff Edelstahl AG 3/8 NPT	Manguito inox MM 3/8 NPT	1
23	049 596 000	Canne de purge inox	Drain rod, stainless steel	Entleerungsrohr, Edelstahl	Caña de purga inox	1

<b>POMPE 40-25 F SUR CHARIOT</b>	<b>CART MOUNTED PUMP, model 40-25 F</b>	<b>#</b>  <b>151.776.400</b>
<b>PUMPE 40-25 F FAHRBAR</b>	<b>BOMBA 40-25 F SOBRE CARRETILLA</b>	

Ind	#	Désignation	Description	Bezeichnung	Denominación	Qté
-	151 776 200	Pompe murale avec filtre	Wall mounted pump with filter	Wandpumpe mit Filter	Bomba mural con filtro	1
-	051 221 000	Chariot (2 bras)	Cart (2 arms)	Fahrgestell (2 Arme)	Carretilla (2 brazos)	1
-	056 100 199	Panneau de fixation	Wall bracket unit	Wandplatte	Soporte de fijación	1

### OPTIONS - ON REQUEST - OPTIONEN - OPCIONES

Ind	#	Désignation	Description	Bezeichnung	Denominación	Qté
17	149 596 160	Canne d'aspiration Ø 25 pour fût 200L (Lg. 1m)	Suction rod Ø 25 for drum 200L (Length : 1m)	Saugschlauch Ø 25 für 200L Fass (Länge : 1m)	Caña de aspiración Ø 25 para bidón de 200L (Longitud : 1m)	1
18	149 596 152	▪ Crépine Ø 25	▪ Strainer Ø 25	▪ Siebkörbe Ø 25	▪ Piña Ø 25	1
-	151 740 200	Kit air de pulvérisation (voir Doc. 573.035.050)	Atomizing air kit (refer to Doc.573.035.050)	Zerstäuberluftset (siehe Dok. 573.035.050)	Kit aire de pulverización (consultar Doc. 573.035.050)	1

\* Pièces de maintenance préconisées.

\* Preceding the index number denotes a suggested spare part.

\* Bezeichnete Teile sind empfohlene Ersatzteile.

\* Piezas de mantenimiento preventivas.

*Nota : Dans le cas d'une pompe nue pour fixation murale, commander la pompe nue , la plaque d'interface (ind.6) et le support réf. 044.910.121 (rep. 1 - Doc. 573.403.050)*

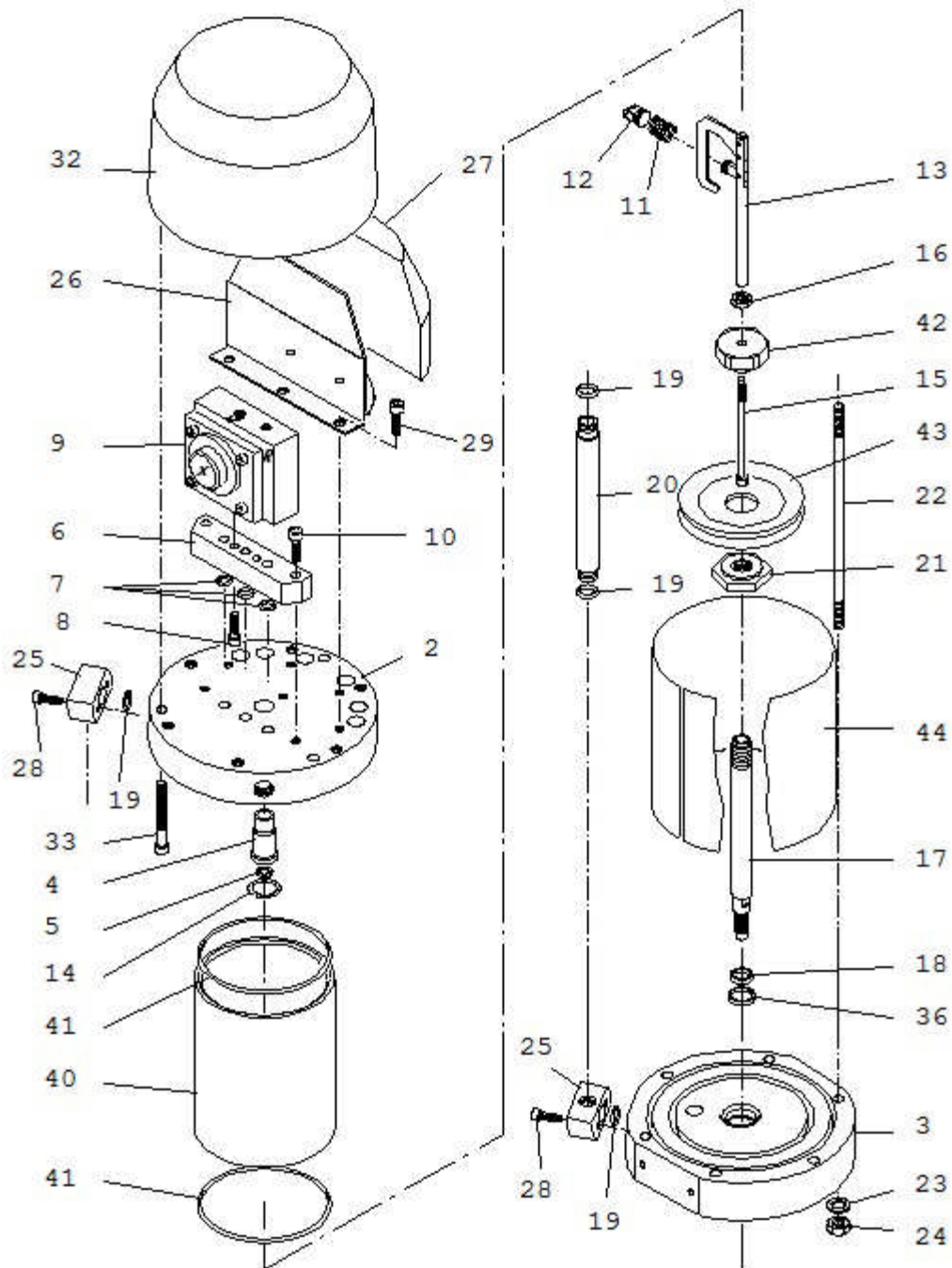
*Nota : For a bare pump with wall bracket, order bare pump, plate (ind. 6) and bracket - P.N°. 044.910.121 (ind. 1 - Doc. 573.403.050)*

*Hinweis : Für eine nackte Pumpe mit Wandhalterung, bestellen Sie die nackte Pumpe, die Umsteuerplatte (Pos. 6) und die Halterung Bestell-Nr. 044.910.121 (Pos. 1 - Dok. 573.403.050)*

*Nota : En caso de una bomba sola con fijación mural, encargue Vd. la bomba sola, la placa (ind. 6) y el soporte con la referencia 044.910.121 (índ. 1 - Doc. 573.403.050).*

<b>Doc. 573.045.050</b> Date/Datum/Fecha : 20/05/14 Annule/Cancel/ Ersetzt/Anula : 01/03/12	<b>Modif. / Änderung :</b> # 146.270.991, # 146.270.995 + Nota / Hinweis + Ind. / Pos. 55	<b>Pièces de rechange</b> <b>Spare parts list</b> <b>Ersatzteilliste</b> <b>Piezas de repuesto</b>
--	--	---

<b>MOTEUR A AIR, modèle 1000-4 &amp; 1000-4T</b>	<b>AIR MOTOR, model 1000-4 &amp; 1000-4T</b>
<b>LUFTMOTOR, Modell 1000-4 &amp; 1000-4T</b>	<b>MOTOR DE AIRE, tipo 1000-4 &amp; 1000-4T</b>



<b>MOTEUR A AIR, modèle 1000-4</b>	<b>AIR MOTOR, model 1000-4</b>	<b>#</b>  <b>146.275.000</b>
<b>LUFTMOTOR, Modell 1000-4</b>	<b>MOTOR DE AIRE, tipo 1000-4</b>	

Ind	#	Désignation	Description	Bezeichnung	Denominación	Qté
		<b>Pièces spécifiques au moteur 1000-4</b>	<b>Specific parts to the air motor, model 1000-4</b>	<b>Spezielle Teile für Luftmotor 1000-4</b>	<b>Partes específicas al motor, tipo 1000-4</b>	
2	046 270 901	Fond supérieur	Upper flange	Oberer Flansch	Fondo superior	1
6	046 230 005	Embase bloc inverseur	Base, reversing-block	Grundplatte, Umsteuerblock	Base bloque inversor	1
20	046 144 901	Tube d'alimentation	Tube, connecting	Versorgungsrohr	Tubo de alimentación	1
25	046 270 903	Collecteur	Collector	Verbindungsflansch	Colector	2
26	046 270 904	Support (silencieux)	Support (silencer)	Halterung (Schalldämpfer)	Soporte (silenciador)	1
27	046 270 905	Silencieux (mousse)	Silencer	Schalldämpfer (Schaumstoff)	Silenciador	1
28	933 151 443	Vis CHc M 6 x 35	Screw, CHc M 6 x 35	Schraube CHc AG 6 x35	Tornillo, CHc M 6 x 35	4
29	933 151 122	Vis CHc M 6 x 8	Screw, CHc M 6 x 8	Schraube CHc AG 6 x 8	Tornillo, CHc M 6 x 8	3

Ind	#	Désignation	Description	Bezeichnung	Denominación	Qté
		<b>Pièces communes aux moteurs 1000-4 et 1000-4T (turbo)</b>	<b>Common parts to the air motors, model 1000-4 and 1000-4T (turbo)</b>	<b>Gleiche Teile in Motoren 1000-4 und 1000-4T (turbo)</b>	<b>Partes comunes de los motores, tipo 1000-4 y 1000-4T (turbo)</b>	
3	146 270 902	Fond inférieur	Lower flange	Unterer Flansch	Fondo inferior	1
4	044 570 106	Bague de guidage	Guide ring	Führungsring	Anillo guía	1
5	144 579 923	Bague R 8 bis (pochette de 10)	Ring, R 8 bis (package of 10)	O-Ring R 8 bis (10er Pack)	Anillo R 8 bis (bolsa de 10)	1
7	109 420 257	Bague O Ring (pochette de 10)	O Ring (package of 10)	O-Ring (10er Pack)	Anillo O Ring (bolsa de 10)	3
8	933 151 277	Vis CHc M 6 x 20	Screw, CHc M 6 x 20	Schraube CHc M 6 x 20	Tornillo CHc M 6 x 20	2
*9	044 630 400	Ensemble bloc inverseur (voir Doc. 573.087.040)	Reversing-block (refer to Doc. 573.087.040)	Umsteuerblock komplett (siehe Dok. 573.087.040)	Conjunto bloque inversor (consultar Doc. 573.087.040)	1
10	930 151 446	Vis CHc M 8 x 35	Screw, CHc M 8 x 35	Schraube CHc M 8 x 35	Tornillo, CHc M 8 x 35	2
11	050 311 232	Ressort	Spring	Feder	Muelle	1
12	044 570 131	Chape femelle	Linkage, female	Verbindungsflansch	Unión hembra	1
13	044 570 900	Fourchette de commande équipée	Control fork assembly	Steuergabel; komplett	Horquilla de mando equipada	1
14	902 202 002	Anneau truarc	Retaining ring	Sicherungsring	Anillo truarc	1
15	046 180 003	Tige de pilotage	Rod, driving	Steuerstange	Eje de mando	1
16	046 144 907	Ecrou	Nut	Mutter	Tuerca	1
17	046 180 007	Tige de piston	Rod, piston	Kolbenstange	Eje de pistón	1
18	046 180 010	Bague de frottement	Seal, ring	Dichtring	Anillo de deslizamiento	1
19	129 400 902	Joint (pochette de 10)	Seal (package of 10)	O-Ring (10er Pack)	Junta (bolsa de 10)	4
21	000 323 716	Contre écrou inférieur	Lower locknut	Untere Kontermutter	Contratuerca inferior	1

Ind	#	Désignation	Description	Bezeichnung	Denominación	Qté
		<b>Pièces communes aux moteurs 1000-4 et 1000-4T (suite)</b>	<b>Common parts to the air motors, model 1000-4 and 1000-4T (follow up)</b>	<b>Gleiche Teile in Motoren 1000-4 und 1000-4T (Fortsetzung)</b>	<b>Partes comunes de los motores, tipo 1000-4 y 1000-4T (a continuación)</b>	
22	044 710 007	Tirant	Tie-rod	Bolzen	Tirante	6
23	963 040 019	Rondelle MN 8	Washer, MN 8	Scheibe MN 8	Arandela MN 8	6
24	953 010 019	Ecrou HM 8	Nut, HM 8	Mutter HM 8	Tuerca HM 8	6
32	046 180 006	Capot moteur	Cover, air motor	Motorhaube	Campana del motor	1
33	933 151 497	Vis CHc M 6 x 40	Screw, CHc M 6 x 40	Schraube CHc M 6 x 40	Tornillo CHc M 6 x 40	3
36	909 420 291	Joint	Seal	O-Ring	Junta	1
*40	046 275 001	Cylindre	Cylinder	Zylinder	Cilindro	1
41	100 940 470	Joint de cylindre (x 10)	Seal, cylinder (x 10)	O-Ring, Zylinders (10 St.)	Junta de cilindro (x 10)	2
42	046 144 908	Ecrou de piston	Nut, piston	Kolbenmutter	Tuerca de pistón	1
43	000 323 717	Piston	Piston	Kolben	Pistón	1
44	046 275 002	Virole	Muffler	Muffe	Virola	1
-	901 180 024	Cable de mise à la terre (Lg. 5 m)	Ground (Length 5 m / 16 ft)	Erdungskabel (Länge 5m)	Cable de puesta a tierra (5 m de largo)	1
-	963 300 016	Rondelle	Washer	Scheibe	Arandela	1
-	934 011 196	Vis Hc 6 x 16	Screw Hc 6 x 16	Schraube Hc 6 x 16	Tornillo Hc 6 x 16	1

Ind	#	Désignation	Description	Bezeichnung	Denominación	Qté
*	146 270 991	<b>Pochette de joints moteur (ind. 5, 7(x3), 11, 18, 19(x5), 36, 41(x2) + pochette de joints inverseur)</b>	<b>Package of seals of the air motor (ind. 5, 7(x3), 11, 18, 19(x5), 36, 41(x2) + package of seals of the reversing block)</b>	<b>Dichtungssatz für Motor (Pos. 5, 7(x3), 11, 18, 19(x5), 36, 41(x2) + Dichtungssatz für Umsteuerblock)</b>	<b>Bolsa de juntas motor (ind. 5, 7(x3), 11, 18, 19(x5), 36, 41(x2) + bolsa de juntas del inversor)</b>	1
*	146 270 995	<b>Pochette de maintenance (ind. 4, 43 + pochette de joints moteur + ind. 2, 4, 7, 8, 13 de l'inverseur)</b>	<b>Servicing kit (ind. 4, 43 + package of seals of the air motor + ind. 2, 4, 7, 8, 13 of the reversing block)</b>	<b>Servicekit (Pos. 4, 43 + Dichtungssatz für Motor + 2, 4, 7, 8, 13 für Umsteuerblock)</b>	<b>Bolsa de mantenimiento (ind. 4, 43 + bolsa de juntas motor + ind. 2, 4, 7, 8, 13 del inversor)</b>	1

\* Pièces de maintenance préconisées.

\* Preceding the index number denotes a suggested spare part.

\* Bezeichnete Teile sind empfohlene Ersatzteile.

\* Piezas de mantenimiento preventivas.

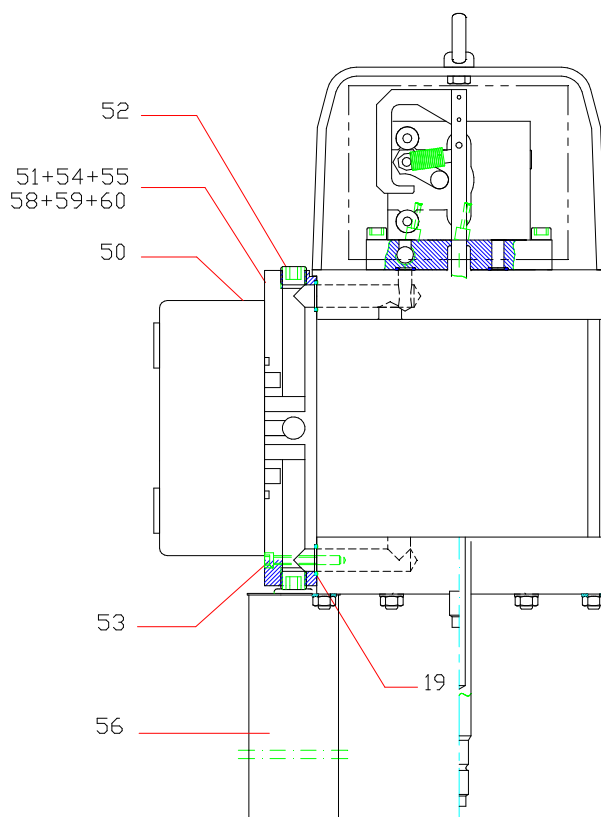
Nota : Ne monter l'ind. 2 (bague de guidage du bloc inverseur) contenu dans la pochette de maintenance 146 270 995 que pour les pompes avec numéros de série < 14 AJ 1008, < 14 H 1110, < 14 AF 1025 et/ou si votre bloc inverseur ne comporte pas de R.

Nota : Install ind. 2 (guide ring of the reversing-block) of the servicing kit 146 270 995 only for the pumps with serial numbers < 14 AJ 1008, < 14 H 1110, < 14 AF 1025 and/or if your reversing-block does not have R.

Hinweis: Die Pos. 2 (Führungsring Umsteuerblock) vom Servicekit 146 270 995, **nur** bei den Pumpen mit den Serien Nummern < 14 AJ 1008, < 14 H 1110, < 14 AF 1025 und/oder bei den Umsteuerblocks **ohne** R Markierung, montieren.

Nota : Montar el ind. 2 (anillo guía del bloque inversor) que está en la bolsa de mantenimiento 146 270 995 para las bombas con números de serie < 14 AJ 1008, < 14 H 1110, < 14 AF 1025 y/o si su bloque inversor no tiene R.

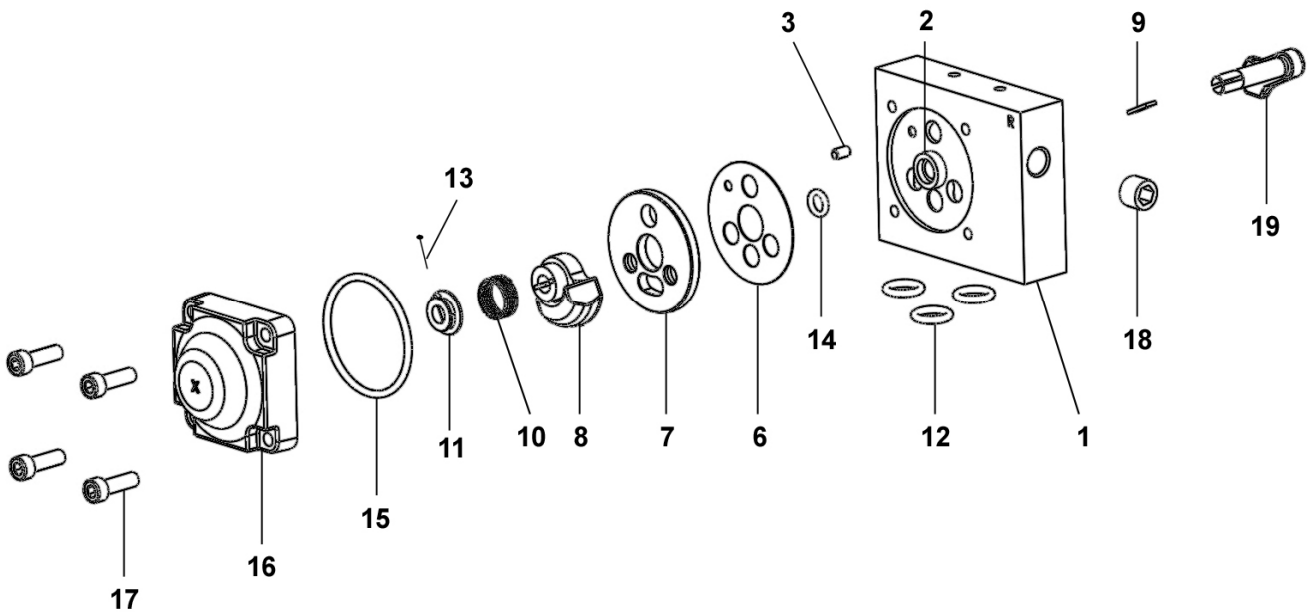
<b>MOTEUR A AIR, modèle 1000-4T (turbo)</b>	<b>AIR MOTOR, model 1000-4T (turbo)</b>	<b>#</b>  <b>146.276.000</b>
<b>LUFTMOTOR, Modell 1000-4T (turbo)</b>	<b>MOTOR DE AIRE, tipo 1000-4T turbo)</b>	



Ind	#	Désignation	Description	Bezeichnung	Denominación	Qté
		<b>Pièces spécifiques au moteur 1000-4T</b>	<b>Specific parts to the air motor, model 1000-4T</b>	<b>Spezielle Teile für Luftmotor 1000-4T</b>	<b>Partes específicas al motor, tipo 1000-4T</b>	
2	046 271 001	Fond supérieur	Upper flange	Oberer Flansch	Fondo superior	1
6	046 271 002	Embase bloc inverseur	Base, reversing block	Grundplatte, Umsteuerblock	Base, bloque inversor	1
50	903 050 511	Distributeur 5/2 - T3	Distributor, 5/2 - T3	Verteiler 5/2 - T3	Distribuidor, 5/2 - T3	1
51	046 271 004	Embase distributeur	Base, distributor	Grundplatte, Verteiler	Base distribuidor	1
52	906 333 105	Bouchon 3/4 BSP (pour embase)	Plug, 3/4 BSP (for base)	Stopfen 3/4 BSP (für Grundplatte)	Tapón 3/4 BSP (para base)	4
53	930 151 548	Vis CHc M 6 x 50	Screw, CHc M 6 x 50	Schraube CHc M 6 x 50	Tornillo CHc M 6 x 50	4
54	905 120 905	Raccord coudé M 1/4 BSP - T 4x6	Elbow fitting, M 1/4 BSP - T 4x6	Winkelnippel AG 1/4 BSP - T 4 x 6	Racor acodado M 1/4 BSP - T 4x6	5
55	050 371 001	Tuyau 4x6 (lg. 25 m)	Hose, 4x6 (length : 25 m / 984")	Schlauch 4x6 (Länge 25 m)	Tubería 4x6 (25 m de largo)	1
56	046 250 015	Silencieux	Silencer	Schalldämpfer	Silenciador	1
58	050 102 215	Raccord MM 3/4 BSP	Fitting, double male, 3/4 BSP	Nippel AG 3/4 BSP	Racor, MM 3/4 BSP	1
59	904 123 006	Coude 3/4	Elbow, 3/4	Winkel 3/4	Codo 3/4	1
60	050 102 634	Raccord M 3/4 BSP - 3/4 NPS (alimentation en air)	Fitting, M 3/4 BSP - 3/4 NPS (air supply)	Nippel AG 3/4 BSP - 3/4 NPS (Luftversorgung)	Racor M 3/4 BSP - 3/4 NPS (alimentación en aire)	1

<b>Doc. 573.087.040</b> Date/Datum/Fecha : 03/06/14 Annule/Cancel/ Ersetzt/Anula : 03/01/14	<b>Modif. / Änderung :</b> Eclaté / Exploded view / Explosions- zeichnung / Vista	<b>Pièces de rechange</b> <b>Spare parts list</b> <b>Ersatzteilliste</b> <b>Piezas de repuesto</b>
--	---	---

<b>BLOC INVERSEUR</b>	<b>REVERSING-BLOCK</b>	<b>#</b>
<b>UMSTUEURBLOCK</b>	<b>BLOQUE INVERSOR</b>	<b>044.630.400</b>



<b>BLOC INVERSEUR</b>	<b>REVERSING-BLOCK</b>	<b>#</b>  <b>044.630.400</b>
<b>UMSTUEURBLOCK</b>	<b>BLOQUE INVERSOR</b>	

Ind	#	Désignation	Description	Bezeichnung	Denominación	Qté
*	144 630 410	Corps équipé	Block assembly, reversing	Umsteuerblock komplett	Cuerpo equipado	1
1	N C / N S	▪ Corps	▪ Body	▪ Körper	▪ Cuerpo	1
2	N C / N S	▪ Bague de guidage	▪ Guide ring	▪ Führungsbuchse	▪ Anillo guía	1
3	N C / N S	▪ Goupille Ø 4 x 8	▪ Pin Ø 4 x 8	▪ Splint Ø4 x 8	▪ Pasador Ø 4 x 8	1
-	N C / N S	▪ Butée (collée sur corps ind.2)	▪ Stop (glued on part ind. 2)	▪ Anschlag (auf Körper geklebt ind.2)	▪ Tope (pegado en cuerpo ind. 2)	2
-	N C / N S	▪ Roulement à bille	▪ Ball bearing	▪ Kugellager	▪ Rodamiento de bolas	1
*6	144 579 912	Joint de glace fixe (x 10)	Gasket seal (x 10)	Flachdichtung (x 10)	Junta de espejo fijo (x 10)	1
*7	046 170 508	Glace fixe	Base, fixed	Ventilplatte	Espejo fijo	1
*8	044 570 324	Glace mobile	Base, mobile	Ventilschieber	Espejo móvil	1
9	044 570 325	Clavette	Pin	Paßfeder (Keil)	Pasador	1
10	921 140 102	Ressort	Spring	Feder	Muelle	1
11	044 571 006	Butée de ressort	Stop, spring	Federführung	Tope de muelle	1
*12	144 579 922	Bague R 10 (x 10)	Ring, R 10 (x 10)	O Ring R 10 (x 10)	Anillo, R 10 (x 10)	3
*13	144 579 911	Goupille fendue (pochette de 10 goupilles + 1 butée ind. 11)	Pin (package of 10 pins + 1 stop ind. 11)	Splint (Satz à 10 Stück + 1 Führung Pos. 11)	Pasador (bolsa de 10 pasadores + 1 tope ind. 11)	1
*14	144 579 910	Bague R 6a (x 10)	Ring, R 6a (x 10)	O Ring, R 6a (x 10)	Anillo, R 6a (x 10)	1
*15	N C / N S	Joint de couvercle	Seal, cover	Deckeldichtung	Junta de tapa	1
16	144 630 415	Couvercle	Cover	Deckel	Tapa	1
17	933 151 277	Vis CHc M 6x20	Screw, CHc M 6x20	Schraube, CHc M 6x20	Tornillo, CHc M 6x20	4
18	906 333 102	Bouchon 1/4 BSP	Plug, 1/4 BSP	Blindstopfen, 1/4 BSP	Tapón, 1/4 BSP	1
19	046 170 510	Levier	Lever, control	Umsteuerhebel	Leva	1

*	<b>146 270 950</b>	<b>Pochette de joints (ind. 6, 12(x3), 14, 15)</b>	<b>Package of seals (ind. 6, 12(x3), 14, 15)</b>	<b>Dichtungssatz (bestehend aus Pos. 6, 12(x3), 14, 15)</b>	<b>Bolsa de juntas (ind. 6, 12(x3), 14, 15)</b>	<b>1</b>
*	<b>144 630 425</b>	<b>Pochette de maintenance glaces (ind. 7, 8)</b>	<b>Servicing kit - bases (ind. 7, 8)</b>	<b>Servicekit - Ventil (Pos. 7, 8)</b>	<b>Bolsa de mantenimiento - espejos (ind. 7, 8)</b>	<b>1</b>

\* Pièces de maintenance préconisées.

\* Preceding the index number denotes a suggested spare part.

\* Bezeichnete Teile sind empfohlene Ersatzteile.

\* Piezas de mantenimiento preventivas.

N C : Non commercialisé.

N S : Denotes parts are not serviceable.

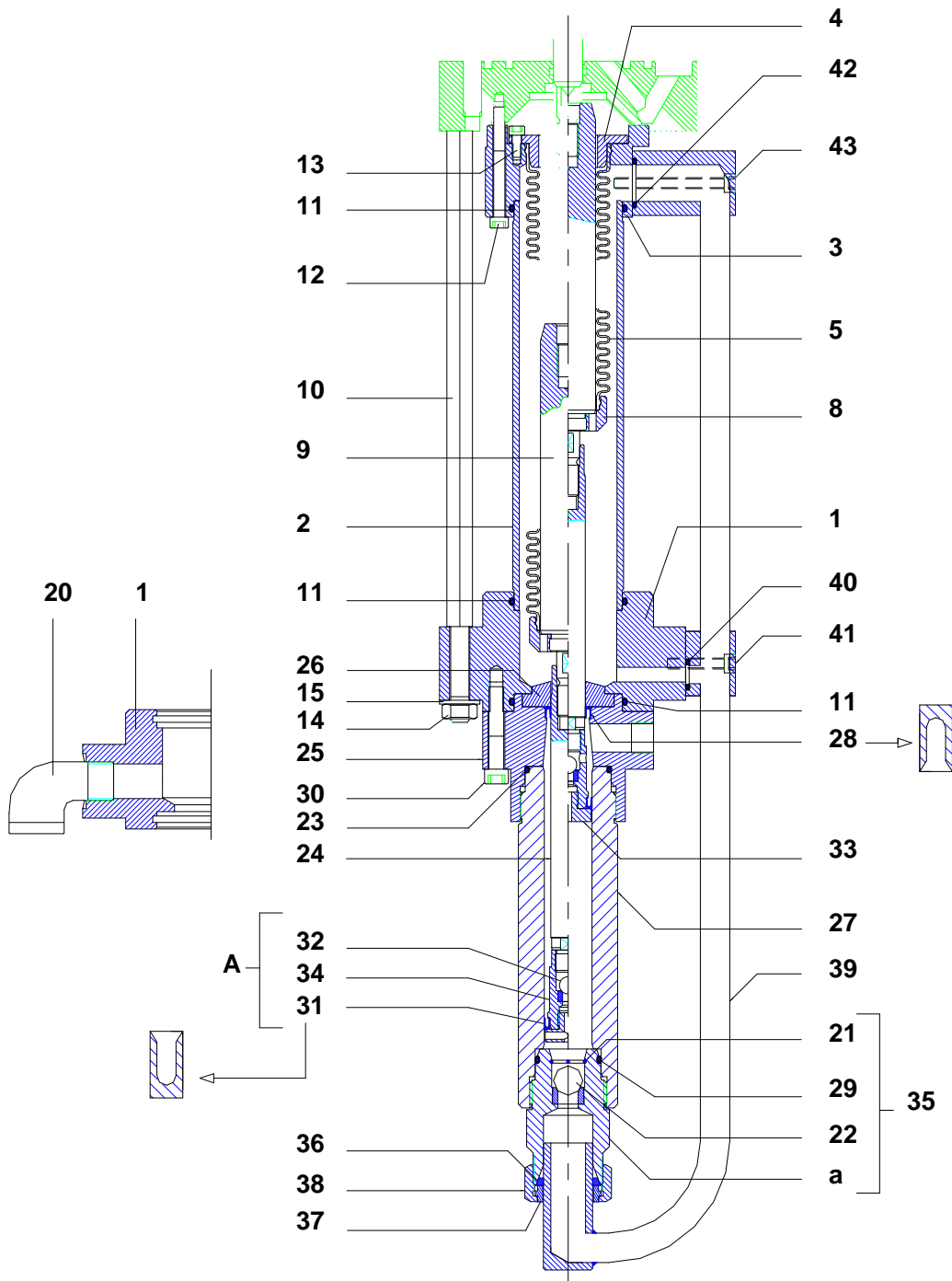
N S : Bezeichnete Teile gibt es nicht einzeln, sondern nur komplett .

N S : no suministrado.



<b>Doc. 573.115.050</b> Date/Datum/Fecha : 12/03/12 Annule/Cancela/ Ersetzt/Anula : 29/11/06	<b>Modif. /Änderung :</b> Mise à jour / Update / Aktualisierung / Actualización	<b>Pièces de rechange</b> <b>Spare parts list</b> <b>Ersatzteilliste</b> <b>Piezas de repuesto</b>
---	---	---

<b>25 F</b>	<b>HYDRAULIQUE FLOWMAX® / FLOWMAX® FLUID SECTION</b> <b>FLOWMAX® HYDRAULIKTEIL / HIDRÁULICA FLOWMAX®</b>	<b>#</b> <b>144.950.200</b>
-------------	---	--------------------------------



**HYDRAULIQUE 25 F INOX / FLUID SECTION, model 25 F, STAINLESS STEEL  
HYDRAULIKTEIL 25 F EDELSTAHL / HIDRÁULICA 25 F INOX**

**#  
144.950.200**

Ind	#	Désignation	Description	Bezeichnung	Denominación	Qté
1	044.970.451	Bride d'aspiration	Suction flange	Unterer Flansch	Brida de aspiración	1
2	044.970.052	Cylindre	Cylinder	Ansaugzylinder	Cilindro	1
3	044.970.445	Palier d'aspiration	Suction bearing	Oberer Flansch	Palier de aspiración	1
4	044.970.046	Bride soufflet	Flange, bellows	Faltenbalg-Flansch	Brida fuelle	1
* 5	044.970.055	Soufflet	Bellows	Faltenbalg	Fuelle	1
8	044.970.047	Jupe	Skirt	Klemmstück	Faldón	1
9	044.970.049	Piston intermédiaire	Piston, intermediate	Zwischenkolben	Pistón intermediario	1
10	044.970.060	Tirant d'accouplement	Coupling rod	Steuerstange	Tirante de acoplamiento	4
11	050.040.323	Joint PTFE	Seal, PTFE	Dichtung PTFE	Junta PTFE	3
12	930.151.598	Vis CHc M 6x60	Screw, CHc M 6x60	Schraube M 6x60	Tornillo CHc M 6x60	4
13	931.151.168	Vis CHc M 5x12	Screw, CHc M 5x12	Schraube M 5x12	Tornillo CHc M 5x12	4
14	953.020.021	Ecrou HM 10	Nut, HM 10	Mutter M 10	Tuerca HM 10	4
15	963.040.021	Rondelle M 10	Washer, M 10	Scheibe M 10	Arandela Z M 10	4
20	905.210.403	Coude inox MF 1/2	Elbow, stainless steel, MF 1/2	Bogen AG 1/2 - IG 1/2 Edelstahl	Codo MH 1/2 inox	1
23	050.040.317	Joint PTFE	Seal, PTFE	Dichtung PTFE	Junta PTFE	1
* 24	044.950.201	Piston	Piston	Kolben	Pistón	1
25	044.950.202	Bride de refoulement	Discharge flange	Druckflansch	Brida de expulsión	1
26	044.950.203	Bride joint GT	Flange, GT seal	GT-Dichtungsflansch	Brida junta GT	1
* 27	044.950.002	Cylindre	Cylinder	Materialzylinder	Cilindro	1
28	909.150.212	Joint GT supérieur	GT seal, upper	Oberer GT-Dichtung	Junta GT superior	1
30	933.151.526	Vis CHc M 8x45	Screw, CHc M 8x45	Schraube M 8x45	Tornillo CHc M 8x45	4
33	044.950.007	Presse garniture refoulement	Stuffing-box, discharge	Kolbenmanschette	Prensa guarnición expulsión	1
<b>* A</b>	<b>144.950.500</b>	<b>Ensemble clapet de refoulement</b>	<b>Exhaust valve kit</b>	<b>Absaugventil komplett</b>	<b>Kit válvula de expulsión</b>	<b>1</b>
31	909.150.214	▪ Joint GT inférieur	▪ GT seal, lower	▪ Unterer GT- Dichtung	▪ Junta GT inferior	1
32	907.414.223	▪ Bille Ø 9,52, inox 440 C	▪ Ball Ø 9,52, stainless steel, 440 C	▪ Kugel Ø 9,52 Edelstahl	▪ Bola Ø 9,52, inox 440 C	1
34	044.950.215	▪ Clapet de refoulement	▪ Exhaust valve	▪ Absaugventil	▪ Válvula de expulsión	1
<b>* 35</b>	<b>044.950.225</b>	<b>Clapet d'aspiration assemblé</b>	<b>Suction valve assembly</b>	<b>Ansaugventil komplett</b>	<b>Válvula de aspiración montada</b>	<b>1</b>
a	NCS / NSS	▪ Corps de clapet	▪ Suction valve body	▪ Ansaugventilkörper	▪ Cuerpo de válvula	1
21	044.550.029	▪ Jonc	▪ Rush	▪ Sicherungsring	▪ Anillo de retención bola	1
22	907.414.242	▪ Bille Ø 16, inox 440C	▪ Ball Ø 16, stainless steel 440C	▪ Kugel Ø 16, Edelstahl	▪ Bola Ø 16, inox 440C	1
29	050.040.318	▪ Joint torique PTFE	▪ O Ring PTFE	▪ O-Ring PTFE	▪ Junta torica PTFE	1

Ind	#	Désignation	Description	Bezeichnung	Denominación	Qté
36	144.970.106	Joint (les 10)	Seal (pack of 10)	O-Ring (10 St.)	Junta (bolsa de 10)	1
37	044.970.107	Bague de serrage	Tightening ring	Klemmring	Anillo de aprete	1
38	049.595.306	Ecrou raccord M 38x150	Nut, fitting M 38x150	Überwurfmutter AG M 38x1,5	Tuerca racor M 38x150	1
39	044.950.271	Tube de liaison avec vis (ind. 41&43)	Fluid tube, attachment with screws (ind. 41&43)	Verbindungsrohr mit Schrauben (ind. 41&43)	Tubo de unión con tornillos (ind. 41&43)	1
40	129.489.902	Joint PTFE (les 10)	Seal, PTFE (pack of 10)	Dichtung PTFE (10 St.)	Junta PTFE (bolsa de 10)	1
41	933.151.196	Vis CHc M 6x16	Screw, CHc M 6x16	Schraube M 6x16	Tornillo CHc M 6x16	2
42	150.040.321	Joint PTFE (les 10)	Seal, PTFE (pack of 10)	Dichtung PTFE (10 St.)	Junta PTFE (bolsa de 10)	1
43	933.151.196	Vis CHc M 6x16	Screw, CHc M 6x16	Schraube M 6x16	Tornillo CHc M 6x16	2

Ind	#	Désignation	Description	Bezeichnung	Denominación	Qté
*	144.950.291	Pochette de joints (ind. 11, 21, 22, 23, 28, 29, 31, 32, 36, 40, 42)	Package of seals (ind. 11, 21, 22, 23, 28, 29, 31, 32, 36, 40, 42)	Dichtungssatz (beinhaltet Pos. 11, 21, 22, 23, 28, 29, 31, 32, 36, 40, 42)	Bolsa de juntas (ind. 11, 21, 22, 23, 28, 29, 31, 32, 36, 40, 42)	1
*	144.950.292	Pochette de maintenance (ind. 34, 35 + pochette de joints)	Servicing kit (ind. 34, 35 + package of seals)	Servicekit (beinhaltet Pos. 34, 35 und den Dichtungssatz)	Bolsa de reparación (ind. 34, 35 + bolsa de juntas)	1

\* Pièces de maintenance préconisées tenues en stock.

\* Preceding the index number denotes a suggested spare part.

\* Bezeichnete Teile sind empfohlene Ersatzteile.

\* Piezas de mantenimiento preventivas a tener en stock.

N C S : Non commercialisé seul.

N S S : Denotes parts are not serviceable separately.

N S S : bezeichnete Teile gibt nicht einzeln, sondern nur  
komplett

N S S : no suministrado por separado.

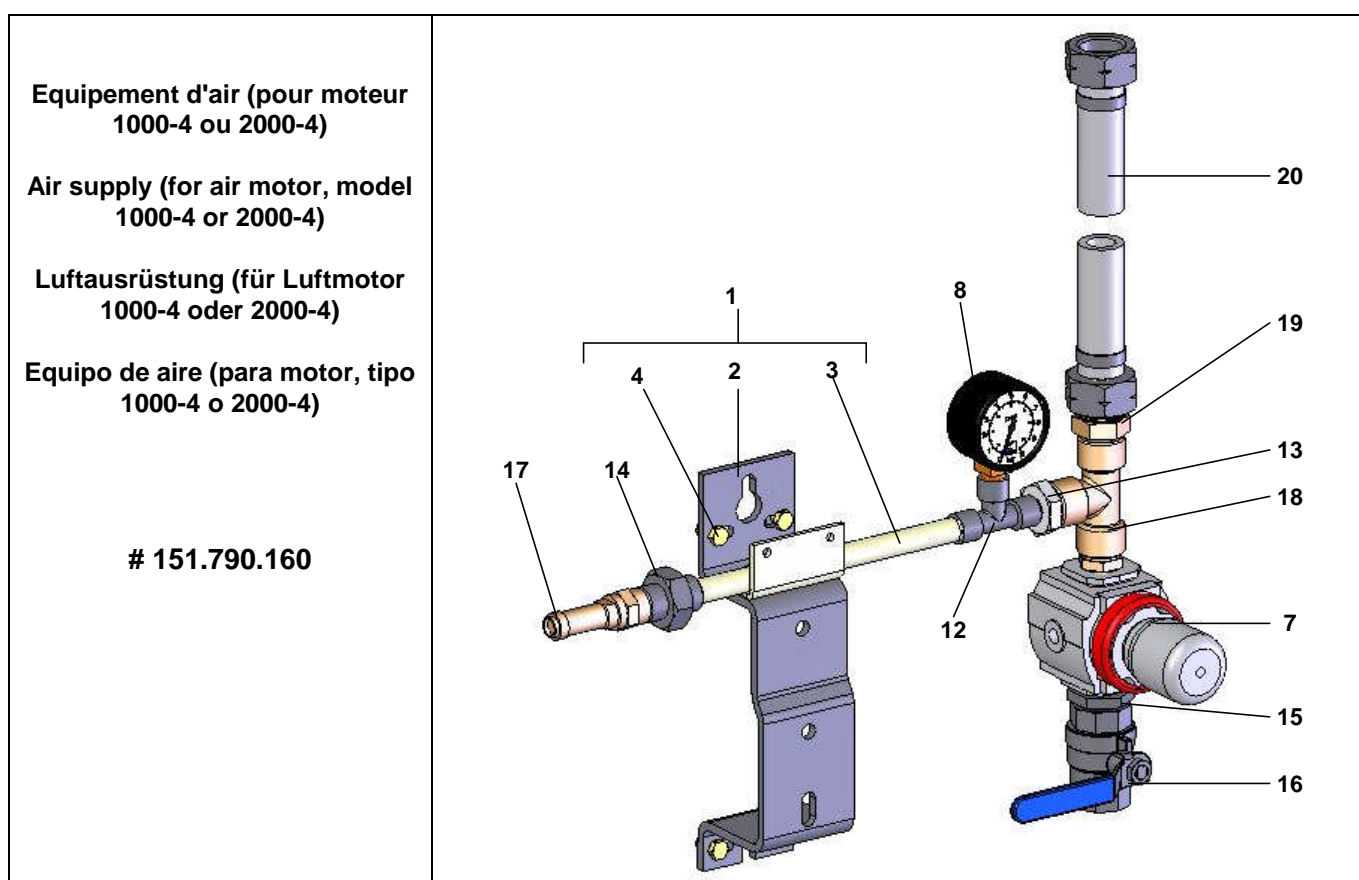
### EN OPTION / OPTIONAL / OPTION / OPCIÓN

Ind	#	Désignation	Description	Bezeichnung	Denominación	Qté
22	907.414.142	Bille Ø 16 inox 316L	Ball Ø 16, 316L (stainless steel)	Kugel Ø 16, (Edelstahl 316L)	Bola Ø 16, inox 316L	1
32	907.414.623	Bille Ø 9,52 inox 316L	Ball Ø 9,52, 316L (stainless steel)	Kugel Ø 9,52, (Edelstahl 316L)	Bola Ø 9,52, inox 316L	1

<b>Doc. 573.403.050</b> Date/Datum/Fecha : 09/06//11 Annule/Cancel/ Ersetzt/Anula : 11/08/08	<b>Modif. /Änderung :</b> Mise à jour / Update / Aktualisierung / Actualización	<b>Pièces de rechange</b> <b>Spare parts list</b> <b>Ersatzteilliste</b> <b>Piezas de repuesto</b>
---	---	---

**EQUIPEMENT D'AIR / AIR SUPPLY / LUFTAUSRÜSTUNG / EQUIPO DE AIRE**  
**Avec 1 détendeur / with 1 air regulator / mit 1 Druckminderer / con 1 manorreductor ,**  
**Mod. 1/2"**

➤ **Moteur / Motor, Mod. 1000-4 & 2000-4**



**Pièces communes - Common parts - Gleiche Teile - Partes comunes**

Ind	#	Désignation	Description	Bezeichnung	Denominación	Qté
1	044.910.121	Support pompe équipé	Pump bracket assembly	Komplette Pumpenhalterung	Soporte de bomba equipado	1
2	044.910.122	▪ Support pompe	▪ Pump bracket	▪ Pumpenhalterung	▪ Soporte de bomba	1
3	051.751.011	▪ Support équipement d'air	▪ Air supply bracket	▪ Luftausrüstungs-halterung	▪ Soporte equipo de aire	1
4	144.910.129	▪ Pochette de 4 vis, 4 écrous, 4 rondelles	▪ Pack of 4 screws, 4 nuts, 4 washers	▪ Satz à 4 Schrauben, 4 Muttern, 4 Scheiben	▪ Bolsa de 4 tornillos, 4 tuercas, 4 arandelas	2
* 7	016.470.000	Détendeur d'air 1/2 – 0-10 bar – (rouge)	Air regulator, 1/2 – 0-10 bar / 0-145 psi – (red)	Druckminderer, 1/2 – 0-10 bar (rot)	Manorreductor, 1/2 – 0-10 bar (rojo)	1

Ind	#	Désignation	Description	Bezeichnung	Denominación	Qté
* 8	910.011.402	Manomètre 0 - 10 bar	Gauge 0 - 10 bar / 0 - 145 psi	Manometer, 0-10 bar	Manómetro, 0-10 bar	1
12	552 436	Té F 1/4"	Tee, F 1/4"	T-Stück , F 1/4"	Te, H 1/4"	1
13	552 475	Raccord M 1/4" – M 1/2"	Fitting, double male, M 1/4" – M 1/2"	Doppelnippel, AG 1/4" – AG 1/2"	Racor, M 1/4" – M 1/2"	1
14	552 486	Manchon 1/4"	Sleeve, 1/4"	Muffe 1/4"	Manguito 1/4"	1
15	552 474	Raccord M 1/2" - M 3/4"	Fitting, double male, 1/2" - 3/4 "	Doppelnippel, AG 1/2 " – AG 3/4 "	Racor, M 1/2 " - M 3/4 "	1
16	903.090.208	Robinet F 3/4 BSP	Valve, F 3/4 BSP	Absperrhahn, F 3/4 BSP	Grifo, H 3/4 BSP	1
17	903.080.401	Soupape de décharge - tarage 6,5 bar	Discharge valve - setting 6,5 bar /94 psi	Sicherheitsventil – eingestellt 6,5 bar	Válvula de seguridad - tarado 6,5 bar	1
18	552 438	Té F 1/2"	Tee, F 1/2"	T-Stück , F 1/2"	Te, H 1/2"	1

**Pièces spécifiques - Specific parts - Spezifische Teile - Partes específicas**

Ind	#	Désignation	Description	Bezeichnung	Denominación	Qté
19	050.102.401	Raccord M 1/2 BSP - M 3/4 NPS	Adaptor M 1/2 BSP - M 3/4 NPS	Nippel M 1/2 BSP - M 3/4 NPS	Racor M 1/2 BSP - M 3/4 NPS	1
20	050.383.109	Tuyau Ø int. 16 (avec écrous 3/4 NPS)	Hose Ø 16 ID / 3/8 dia. (with nuts, 3/4 NPS)	Schlauch Ø 16 ID (mit Muttern 3/4 NPS)	Tubería Ø int. 16 (con tuercas 3/4 NPS)	1

**➤ Moteur / Motor, Mod. 500-4**

<p align="center"><b>Equipement d'air (pour moteur 500-4)</b></p> <p align="center"><b>Air supply (for air motor, model 500-4)</b></p> <p align="center"><b>Luftausrüstung (für Luftmotor 500-4)</b></p> <p align="center"><b>Equipo de aire (para motor, tipo 500-4)</b></p> <p align="center"><b># 151.790.170</b></p>	
--	--

**Pièces spécifiques - Specific parts - Spezifische Teile - Partes específicas**

Ind	#	Désignation	Description	Bezeichnung	Denominación	Qté
19	050.102.633	Raccord M 1/2 BSP - M 1/4 NPS	Adaptor M 1/2 BSP - M 1/4 NPS	Nippel M 1/2 BSP - M 1/4 NPS	Racor M 1/2 BSP - M 1/4 NPS	1
20	539.310.101	Tuyau polyuréthane noir T 8x12 - long. 0,4 m	Hose (black), polyurethane T 8x12 - Length 0.4 m / 15.75 "	Schwarzer Schlauch aus Polyurethan T 8x12 - L. 0,4 m	Tubería poliuretane (negra) T 8x12 - 0,4 m de largo	1
21	050.231.702	Raccord droit avec écrou 1/4 NPS	Straight fitting with nut 1/4 NPS	Gerader Nippel mit Mutter 1/4 NPS	Racor recto con tuerca 1/4 NPS	1

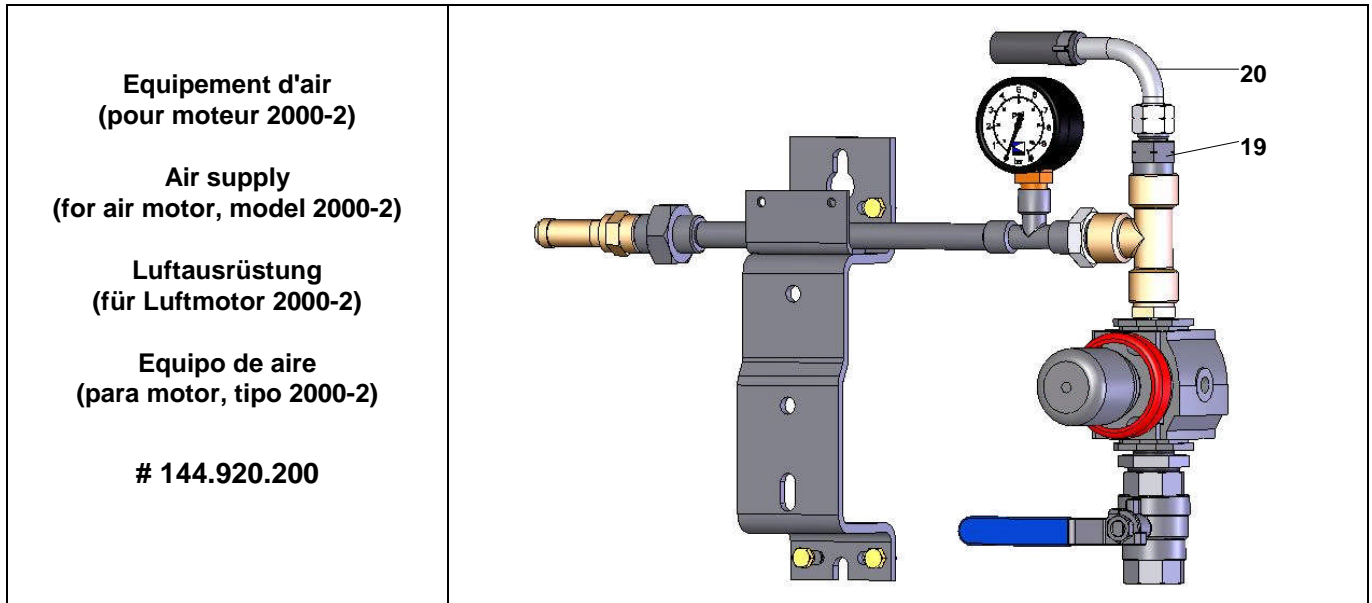
Nota : Pour les références commençant par 5, préciser la longueur à la commande.

Nota : When ordering a spare part whose the first digit is 5, specify the required length.

Hinweis : Bei Artikel-Nummern, die mit einer 5 beginnen, muss die Länge angegeben werden.

Nota : Cuando encarga Vd. una pieza de repuesto que empieza por un 5, precise Vd. la longitud necesaria.

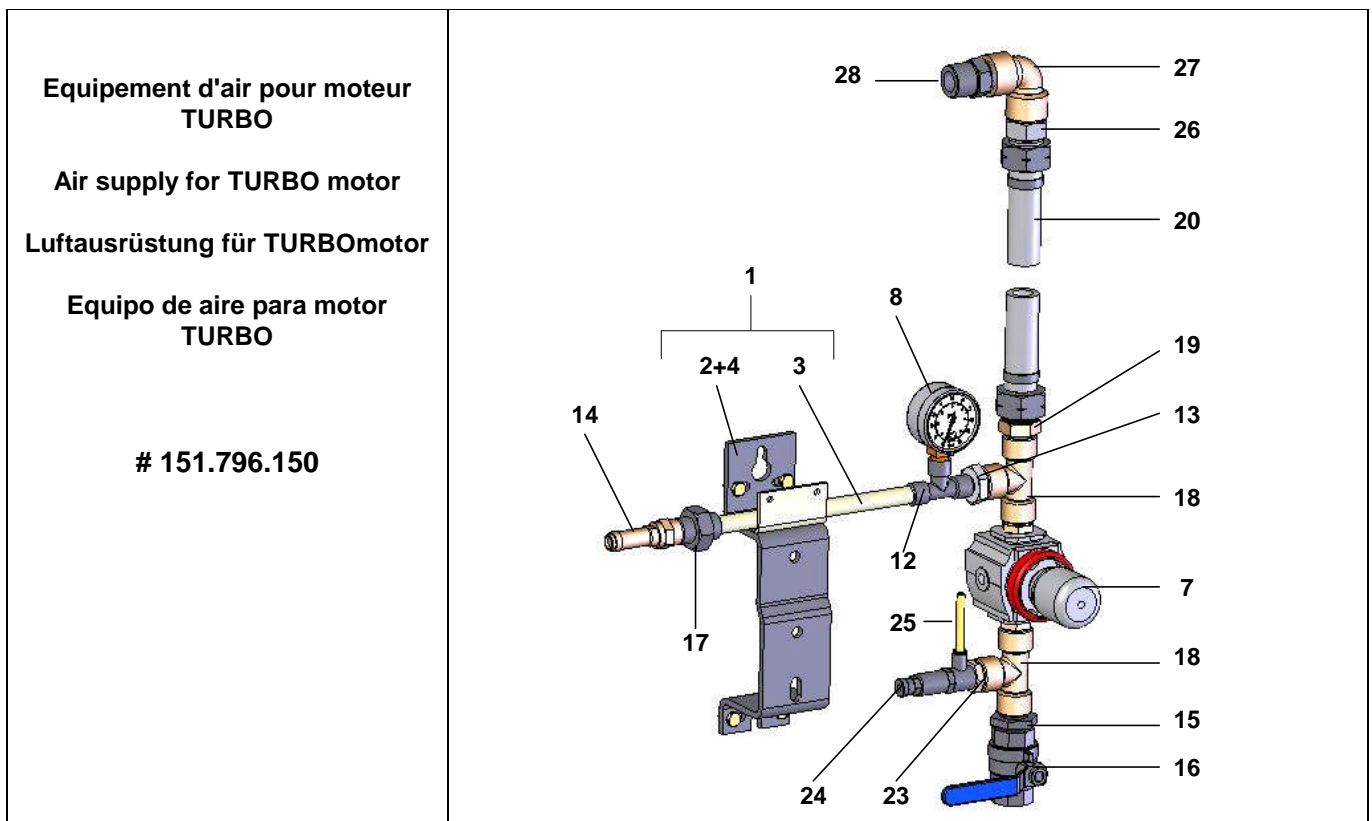
➤ **Moteur / Motor, Mod. 2000-2**



***Pièces spécifiques - Specific parts - Spezifische Teile - Partes específicas***

Ind	#	Désignation	Description	Bezeichnung	Denominación	Qté
19	050.102.629	Raccord M 1/2 BSP - M 3/8 NPS	Adaptor M 1/2 BSP - M 3/8 NPS	Nippel M 1/2 BSP - M 3/8 NPS	Racor M 1/2 BSP - M 3/8 NPS	1
20	050.381.507	Tuyau Ø int. 10 (avec écrous 3/8 NPS)	Hose Ø 10 ID / 3/8 dia. (with nuts, 3/8 NPS)	Schlauch Ø 10 ID (mit Muttern 3/8 NPS)	Tubería Ø int. 10 (con tuercas 3/8 NPS)	1

➤ **Moteur / Motor, Mod. 1000-4 T & 2000-4 T**



**Pièces spécifiques - Specific parts - Spezifische Teile - Partes específicas**

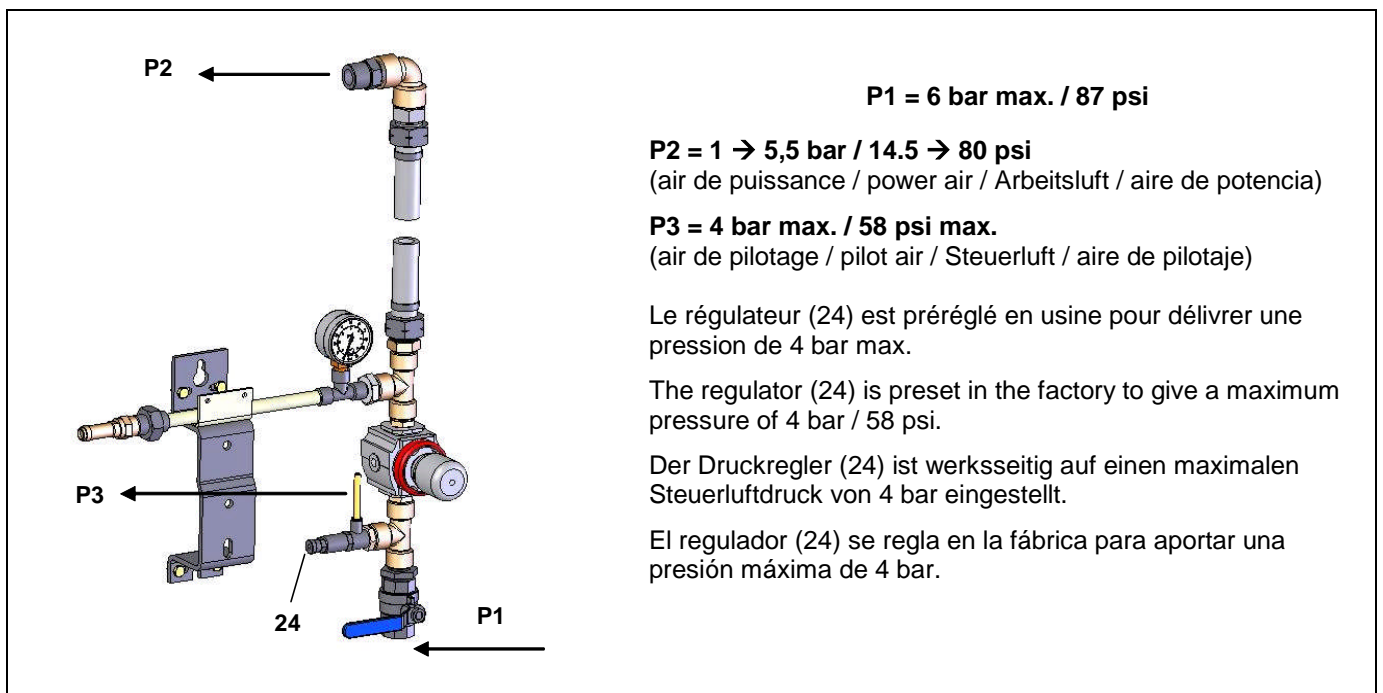
Ind	#	Désignation	Description	Bezeichnung	Denominación	Qté
18	552 438	Té FFF 1/2"	Tee, FFF 1/2"	T-Stück , IG 1/2 "	Te, HHH 1/2"	1
19	050.102.401	Raccord M 1/2 BSP - M 3/4 NPS	Adaptor M 1/2 BSP - M 3/4 NPS	Nippel M 1/2 BSP - M 3/4 NPS	Racor M 1/2 BSP - M 3/4 NPS	1
20	050.383.104	Tuyau Ø int. 16 (avec écrous 3/4 NPS)	Hose Ø 16 ID / 3/8 dia. (with nuts, 3/4 NPS)	Schlauch Ø 16 ID (mit Muttern 3/4 NPS)	Tubería Ø int. 16 (con tuercas 3/4 NPS)	1
20	904.653.004	Raccord MM 1/2 BSP	Fitting, double male, 1/2 " BSP	Doppelnippel, AG 1/2 "	Racor, MM 1/2 BSP	1
23	552 411	Réduction M 1/2" - F 1/4"	Adapter M 1/2" - F 1/4"	Reduziernippel AG 1/2" - IG 1/4"	Reducción M 1/2"- H 1/4"	1
* 24	903.130.508	Régulateur de pression	Pressure regulator	Druckventil	Regulator de presión	1
25	539.090.115	Tuyau Ø 4 x 6 - long. 0,5 m	Hose Ø 4 x 6 - length 0,5 m / 20"	Schlauch Ø 4 x 6 - Länge : 0,5 m	Tubería Ø 4 x 6 - 0,5 m de largo	1
26	050.102.634	Raccord M 3/4NPS – M 3/4G	Fitting, double male, 3/4NPS –3/4G	Doppelnippel, AG3/4NPS – AG3/4G	Racor, M 3/4NPS – M 3/4G	1
27	552 429	Coude FF 3/4"	Elbow, FF 3/4"	Winkelnippel, IG 3/4"	Codo, FF 3/4"	1
28	050.102.215	Raccord MM 3/4"	Fitting, double male, 3/4"	Doppelnippel, AG 3/4 " – AG 3/4 "	Racor MM 3/4"	1

Nota : Pour les références commençant par 5, préciser la longueur à la commande.

Nota : When ordering a spare part whose the first digit is 5, specify the required length.

Hinweis : Bei Artikel-Nummern, die mit einer 5 beginnen, muss die Länge angegeben werden.

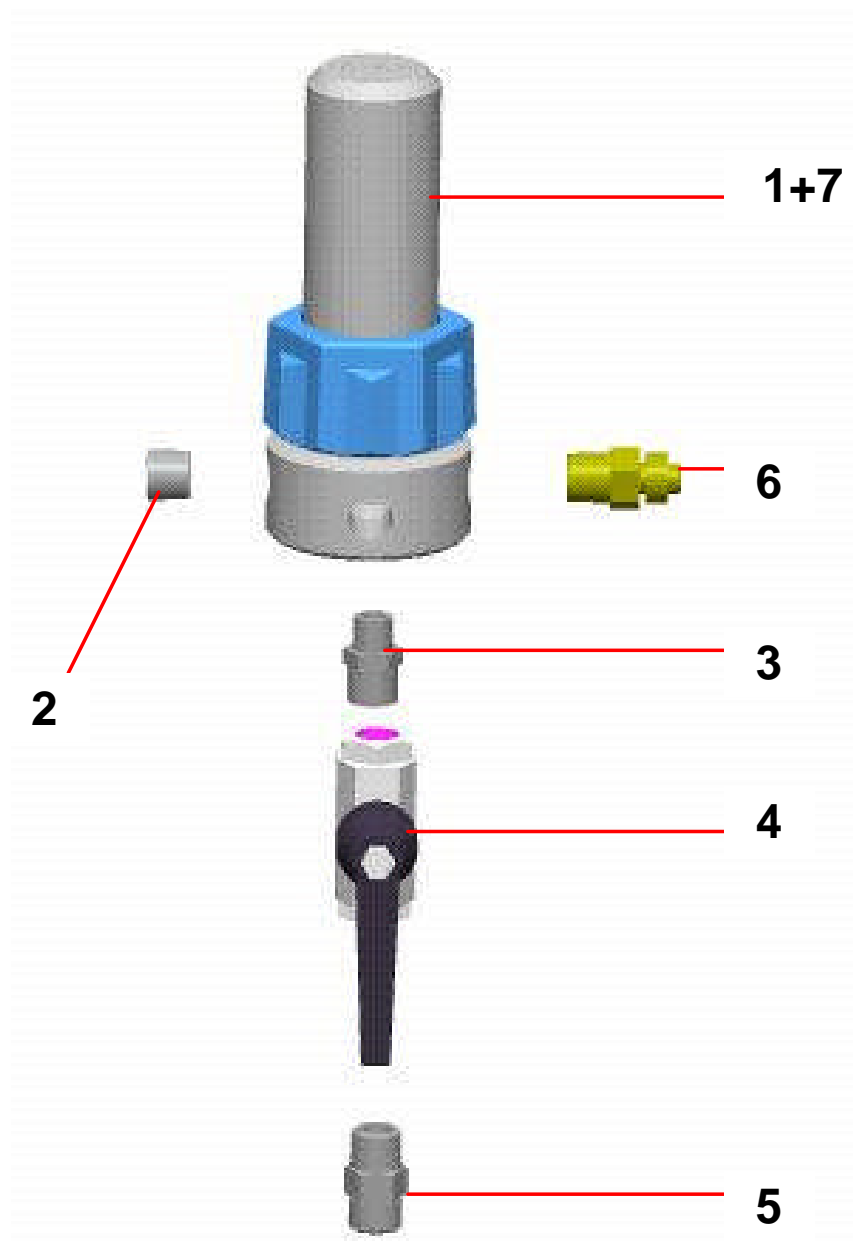
Nota : Cuando encarga Vd. una pieza de repuesto que empieza por un 5, precise Vd. la longitud necesaria.



- \* Pièces de maintenance préconisées tenues en stock
- \* Preceding the index number denotes a suggested spare part.
- \* Bezeichnete Teile sind empfohlene Ersatzteile.
- \* Piezas de mantenimiento preventivas a tener en stock.

<b>Doc. 573.299.050</b> Date/Datum/Fecha : 10/06/11 Annule/Cancela/ Ersetzt/Anula : 07/10/04	<b>Modif. /Änderung :</b> Mise à jour / Update / Aktualisierung / Actualización	<b>Pièces de rechange</b> <b>Spare parts list</b> <b>Ersatzteilliste</b> <b>Piezas de repuesto</b>
---	---	---

<b>FILTRE PRODUIT HP, modèle 3/8 inox</b>	<b>HP FLUID FILTER, model 3/8 stainless steel</b>
<b>HP MATERIALFILTER, Modell 3/8 Edelstahl</b>	<b>FILTRO PRODUCTO HP, tipo 3/8 inox</b>





<b>FILTRE EQUIPÉ pour pompes AIRMIX®</b>	<b>FILTRE EQUIPÉ pour pompes AIRLESS®</b>
<b>EQUIPPED FILTER for AIRMIX® pumps</b>	<b>EQUIPPED FILTER for AIRLESS® pumps</b>
<b>AUSGERÜSTETER FILTER für AIRMIX®-Pumpen</b>	<b>AUSGERÜSTETER FILTER für AIRLESS®-Pumpen</b>
<b>FILTRO EQUIPADO para bombas AIRMIX®</b>	<b>FILTRO EQUIPADO para bombas AIRLESS®</b>
<b># 155.580.300</b>	<b># 155.580.400</b>

**PIECES COMMUNES - COMMON PARTS - GLEICHE TEILE - PARTES COMUNES**

Ind	#	Désignation	Description	Bezeichnung	Denominación	Qté
* 1	155.580.200	Filtre nu inox	Bare filter, stainless steel	Nackter Filter - Edelstahl	Filtro solo, inox	1
2	905.210.304	Bouchon inox 3/8 NPT	Plug , stainless steel 3/8 NPT	Blinstopfen - Edelstahl 3/8 NPT	Tapón de inox 3/8 NPT	1
3	906.314.204	Raccord inox M 1/4 - M 3/8	Fitting, double male, 1/4 - 3/8	Doppelnippel AG 1/4 - AG 3/8	Racor inox, M 1/4 - M 3/8	1
* 4	000.750.040	Vanne HP FF 3/8 BSP	HP valve FF 3/8 BSP	Kugelhahn, IG 3/8 BSP	Válvula, HH 3/8 BSP	1
5	050.102.411	Raccord inox M 18 x 125 - M 3/8 BSP	Adaptor, stainless steel, double male 18x125 - 3/8BSP	Doppelnippel - Edelstahl AG 3/8 BSP - M 18x1,25	Racor inox, M 18 x 125 - M 3/8 BSP	1
6	905.210.503	Raccord inox M 3/8 NPT - M 1/2 JIC	Adaptor, stainless steel, double male, 3/8 NPT - # 5 JIC (1/2 JIC)	Doppelnippel Edelstahl 3/8 NPT - 1/2 JIC	Racor, inox M 3/8 NPT - M 1/2 JIC	1

**PIECES SPECIFIQUES - SPECIFIC PARTS - SPEZIELLE TEILE - PARTES ESPECIFICAS**

⇒ **Filtre / Filter / Filtro # 155.580.300**

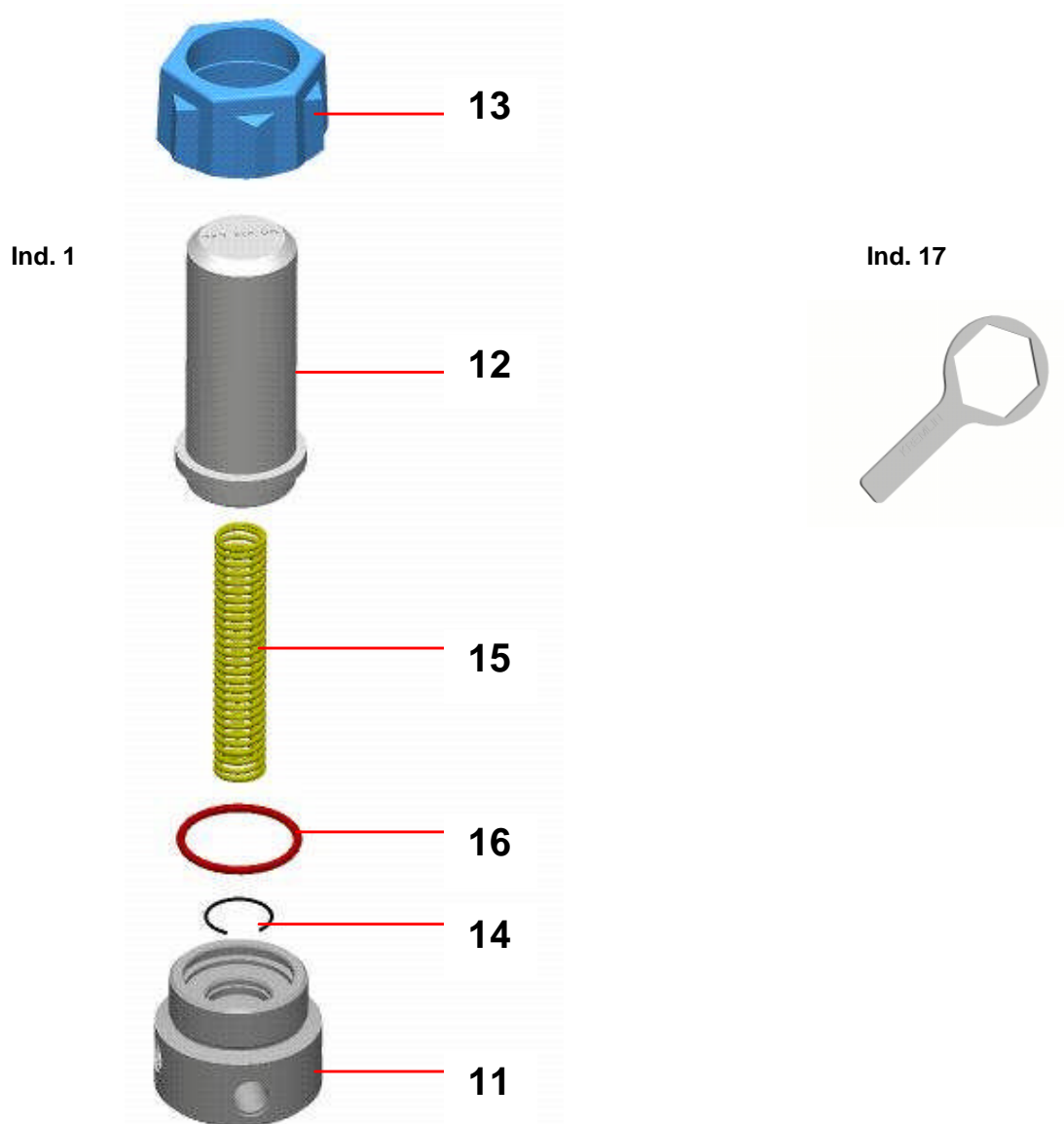
Ind	#	Désignation	Description	Bezeichnung	Denominación	Qté
* 7	000.161.106	Tamis n° 6 (168 µ)	Screen n° 6 (168 µ - 85 Mesh)	Filterelement Sieb Nr. 6 (168 µ)	Tamiz n° 6 (168 µ)	1

⇒ **Filtre / Filter / Filtro # 155.580.400**

Ind	#	Désignation	Description	Bezeichnung	Denominación	Qté
* 7	000.161.112	Tamis n° 12 (280 µ)	Screen n° 12 (280 µ - 55 Mesh)	Filterelement Sieb Nr. 12 (280 µ)	Tamiz n° 12 (280 µ)	1

- \* Pièces de maintenance préconisées tenues en stock
- \* Preceding the index number denotes a suggested spare part.
- \* Bezeichnete Teile sind empfohlene Ersatzteile.
- \* Piezas de mantenimiento preventivas a tener en stock.

FILTRE NU (sans tamis)	BARE FILTER (without screen)	# 155.580.200
NACKTER FILTER (ohne Sieb)	FILTRO SOLO (sin tamiz)	



Ind	#	Désignation	Description	Bezeichnung	Denominación	Qté
11	055.580.201	Embase 3/8	Base, model 3/8	Grundblock, Modell 3/8	Base, tipo 3/8	1
12	055.580.202	Cuve	Bowl	Filterglocke	Cubeta	1
13	055.280.002	Ecrou	Nut	Überwurfmutter	Tuerca	1
14	055.190.007	Jonc	Stop ring	Sicherungsring	Clips	1
15	055.190.005	Ressort	Spring	Feder	Muelle	1
* 16	150.040.327	Joint (les 5)	Seal (pack of 5)	Dichtung (5 St.)	Junta (bolsa de 5)	1
17	049.030.018	Clé de démontage	Wrench	Schlüssel	Llave de desmontaje	1

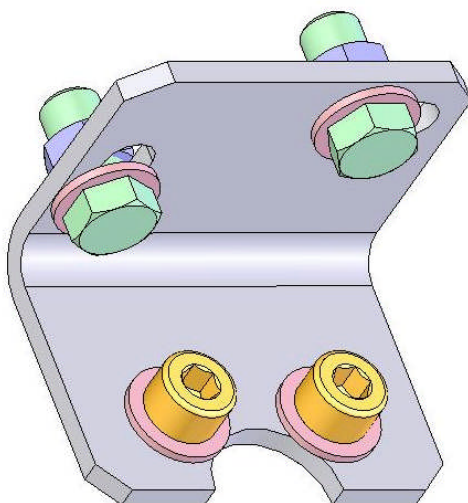
A LA DEMANDE - ON REQUEST - AUF WUNSCH - A PETICIÓN

Ind. 7



Ind	#	Désignation	Description	Bezeichnung	Denominación	Qté
-	000.161.101	Tamis n° 1 (37 µ)	Screen n° 1 (37 µ)	Sieb Nr. 1 (37 µ)	Tamiz n° 1 (37µ)	1
-	000.161.102	Tamis n° 2 (77 µ)	Screen n° 2 (77 µ)	Sieb Nr. 2 (77 µ)	Tamiz n° 2 (77 µ)	1
-	000.161.104	Tamis n° 4 (99 µ)	Screen n° 4 (99 µ)	Sieb Nr. 4 (99 µ)	Tamiz n° 4 (99 µ)	1
<b>7</b>	<b>000.161.106</b>	<b>Tamis n° 6 (168 µ)</b>	<b>Screen n° 6 (168 µ)</b>	<b>Sieb Nr. 6 (168 µ)</b>	<b>Tamiz n° 6 (168 µ)</b>	<b>1</b>
-	000.161.108	Tamis n° 8 (210 µ)	Screen n° 8 (210 µ)	Sieb Nr. 8 (210 µ)	Tamiz n° 8 (210 µ)	1
<b>7</b>	<b>000.161.112</b>	<b>Tamis n° 12 (280 µ)</b>	<b>Screen n° 12 (280 µ)</b>	<b>Sieb Nr. 12 (280 µ)</b>	<b>Tamiz n° 12 (280 µ)</b>	<b>1</b>
-	000.161.115	Tamis n° 15 (360 µ)	Screen n° 15 (360 µ)	Sieb Nr. 15 (360 µ)	Tamiz n° 15 (360 µ)	1
-	000.161.020	Tamis n° 20 (510 µ)	Screen n° 20 (510 µ)	Sieb Nr. 20 (510 µ)	Tamiz n° 20 (510 µ)	1
-	000.161.030	Tamis n° 30 (750 µ)	Screen n° 30 (750 µ)	Sieb Nr. 30 (750 µ)	Tamiz n° 30 (750 µ)	1

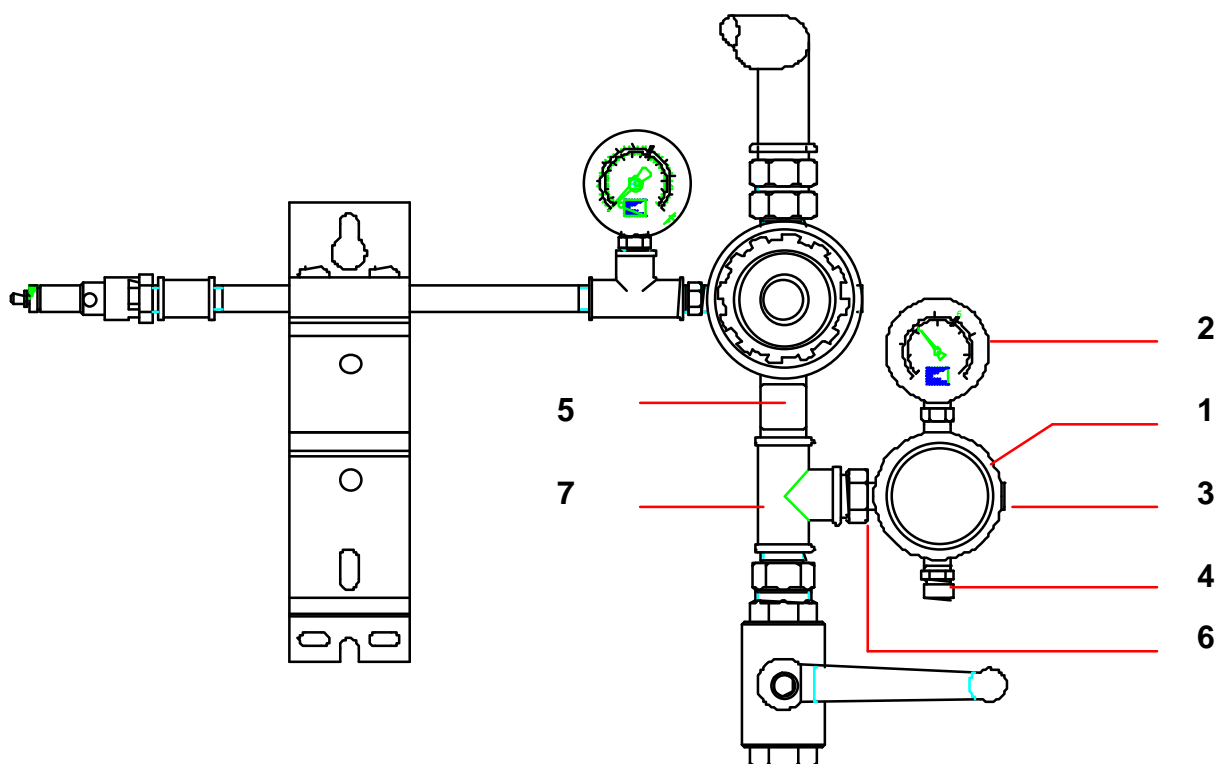
OPTIONS - ON REQUEST - OPTIONEN - OPCIONES



Ind	#	Désignation	Description	Bezeichnung	Denominación	Qté
-	155.190.105	Support filtre avec vis, rondelles et écrous	Mounting bracket with screws, washers and nuts	Filterhalterung mit Schrauben, Scheiben und Muttern	Soporte filtro con tornillos, arandelas y tuercas	1

<b>Doc. 573.035.050</b> Date/Datum/Fecha : 09/06/11 Annule/Cancel/ Ersetzt/Anula : 08/06/02	<b>Modif. /Änderung :</b> Mise à jour / Update / Aktualisierung / Actulaización	<b>Pièces de rechange</b> <b>Spare parts list</b> <b>Ersatzteilliste</b> <b>Piezas de repuesto</b>
--	---	---

<b>KIT AIR DE PULVERISATION</b>	<b>ATOMIZING AIR KIT</b>	<b>#</b>
<b>ZERSTÄUBERLUFTSET</b>	<b>KIT AIRE DE PULVERIZACIÓN</b>	<b>151.740.200</b>



Ind	#	Désignation	Description	Bezeichnung	Denominación	Qté
1	016.380.000	Détendeur d'air 1/4 - 3,5 bar - volant rouge	Air regulator, 1/4 - 3,5 bar / 51 psi - red knob	Druckminderer, 1/4 - 3,5 bar (rote Stellglocke)	Manorreductor, 1/4 - 3,5 bar (rojo)	1
2	910.011.404	Manomètre 0 - 4 bar	Gauge 0 - 4 bar / 0 - 58 psi	Manometer, 0-4 bar	Manómetro, 0-4 bar	1
3	906.333.102	Bouchon 8 x 13	Plug, 8 x 13	Blindstopfen, 8 x 13	Tapón, 8 x 13	1
4	050.102.624	Raccord M 1/4 BSP - M 1/4 NPS	Fitting, double male, 1/4 BSP - 1/4 NPS	Doppelnippel M 1/4 BSP - M 1/4 NPS	Racor, M 1/4 BSP - M 1/4 NPS	1
5	050.102.212	Mamelon 1/2 - longueur 50 mm	Nipple 1/2 - length 50 mm / 2 "	Rohrnippel 1/2 - Länge 50 mm	Pivote de centrado 1/2 - 50 mm de largo	1
6	050.102.211	Raccord M 1/4 BSP - M 1/2 BSP	Fitting, double male, 1/4 BSP - 1/2 BSP	Doppelnippel M 1/4 BSP - M 1/2 BSP	Racor, M 1/4 BSP - M 1/2 BSP	1
7	904.303.004	Té FFF 1/2	Tee, FFF 1/2	T-Stück FFF 1/2	Te FFF 1/2	1

Le kit "Air de pulvérisation" se monte entre la vanne d'arrivée d'air et le détendeur d'alimentation moteur.

Le détendeur (rep. 1) permet l'alimentation en air d'un pistolet AIRMIX<sup>®</sup> par le raccord (rep. 4). La pression d'air de pulvérisation est lue sur le manomètre (rep. 2).

Ce kit se monte :

- sur l'équipement d'air des pompes AIRMIX<sup>®</sup> (pompes équipées d'un moteur 1000/4 ou 2000/4)
- sur l'équipement d'air des pompes AIRLESS<sup>®</sup> de **rapport de pression 40 maxi**.

**ATTENTION : monter un pistolet AIRMIX<sup>®</sup> adapté à la pression délivrée par la pompe.**

The atomizing air kit must be installed between the air inlet valve and the air motor supply regulator.

An AIRMIX<sup>®</sup> gun can be supplied with air by means of the regulator (ind.1) and of an adaptor (ind.4). The atomizing air pressure is read on the gauge (ind.2).

The kit must be installed :

- on the air supply of the AIRMIX<sup>®</sup> pumps (equipped with an air motor, model 1000/4 or 2000/4)
- on the air supply of the AIRLESS<sup>®</sup> pumps (pressure ratio 40 max).

**CAUTION: install an AIRMIX<sup>®</sup> gun suitable for the pressure delivered by the pump.**

Das Zerstäuberluftset wird zwischen dem Lufteingangshahn und dem Pumpenluftregler eingebaut.

Der Druckminderer (Pos. 1) versorgt die AIRMIX<sup>®</sup> Pistole mit Luft mit Hilfe eines Doppelnippels (Pos. 4). Der eingestellte Druck wird am Manometer (Pos. 2) abgelesen.

Dieses Set wird montiert :

- auf die Luftausrüstung der AIRMIX<sup>®</sup>Pumpen (mit einem Motor 1000/4 oder 2000/4 ausgestatteten Pumpen)
- auf die Luftausrüstung der AIRLESS<sup>®</sup>Pumpen mit **Druckübersetzung maximal 40**.

**ACHTUNG : eine AIRMIX<sup>®</sup> Pistole montieren, die dem Druck der Pumpe entspricht.**

El kit "Aire de pulverización" se monta entre la válvula de llegada de aire y el manorreductor de alimentación motor.

El manorreductor (índ. 1) permite alimentar en aire una pistola AIRMIX<sup>®</sup> mediante el racor (índ. 4). La lectura de la presión de aire de pulverización se lleva a cabo mediante el manómetro (índ. 2).

El kit se monta :

- en el equipo de aire de las bombas AIRMIX<sup>®</sup> (bombas equipadas con un motor, tipo 1000/4 o 2000/4)
- en el equipo de aire de las bombas AIRLESS<sup>®</sup> con una **relación de presión 40 máxima**.

**OJO : instalar una pistola AIRMIX<sup>®</sup> adaptada a la presión que aporta la bomba.**



# **AIRLESS PUMP**

## ***PREVENTIVE MAINTENANCE***

### **TRANSLATION OF THE ORIGINAL MANUAL**

***IMPORTANT : before assembly and start-up, Please read and clearly understand all documents relating to this equipment (professional use only).***

***PICTURES AND DRAWINGS ARE NON CONTRACTUAL. WE RESERVE THE RIGHT TO MAKE CHANGES WITHOUT PRIOR NOTICE.***

#### **KREMLIN - REXSON**

150, avenue de Stalingrad

93 245 - STAINS CEDEX – France

**☎** : 33 (0)1 49 40 25 25      **Fax** : 33 (0)1 48 26 07 16

**[www.kremlin-rexson.com](http://www.kremlin-rexson.com)**

## ▪ PUMP

Make sure that the pump is clean and in good condition to increase equipment working life.

If the pump is a intensive™ one :

- Make sure the pump fluid outlet flange is always filled up with T lubricant (this T lubricant will normally be coloured by the paint).
- Regularly clean the wetting-cup with solvent after having drained the lubricant (Unscrew the plug placed at the upper flange).

**Guards (motor cover, coupling shields, connectors,...) have been designed for a safe use of the equipment.  
The manufacturer will not be held responsible for bodily injury or failure and / or property damage due to destruction, the overshadowing or the partial or total removal of the guards.**

Make sure that the suction strainer is clean and in good condition. Clean it regularly and replace it if it is necessary.

Flush the pump as often as necessary, specially when spraying pigment filled-material.

**Whatever the case, when stopping the pump, always leave it filled with material :  
For a short duration shutdown, if the flushing has not been carried out, leave the pump filled with material.  
For a long duration shutdown, after flushing, leave it filled with solvent.**

## ▪ SPRAY GUN

Comply with the usual instructions of spray gun servicing (refer to spray gun manual).

## ▪ FILTER

If the pump is equipped with a filter at the fluid outlet, comply with the usual instructions of filter servicing (refer to filter manual).



# **HIGH PRESSURE PUMP FOR AIRMIX® AND AIRLESS SPRAYING TROUBLESHOOTING**

## **TRANSLATION OF THE ORIGINAL MANUAL**

**IMPORTANT : Before assembly and start-up, please read and clearly understand all the documents relating to this equipment (professional use only).**

*THE PICTURES AND DRAWINGS ARE NON CONTRACTUAL. WE RESERVE THE RIGHT TO MAKE CHANGES WITHOUT PRIOR NOTICE.*

### **KREMLIN - REXSON**

150, avenue de Stalingrad

93 245 - STAINS CEDEX – France

**☎** : 33 (0)1 49 40 25 25      *Fax* : 33 (0)1 48 26 07 16

**[www.kremlin-rexson.com](http://www.kremlin-rexson.com)**



CAUSE	SOLUTION
The pump does not start.	Check the pump air supply.
Priming trouble :  → Air is always coming out from the spray gun.  → Air (or material) does not come out from the spray gun.	Be sure that the spray gun is fully opened and air evacuated through this one.  Air intake at the fitting or at the suction rod.  Check the pump valves. If a valve is stucked by dry paint, it can be unsticked without disassembling it. Blow air pressure directly by suction fitting.
The pump does not stop at once when shutting off the spray gun :  → The pump stops only on down stroke.  → The pump stops only on up stroke.	Check exhaust valve or valve seal.  Check suction valve or upper cartridge.
The pump does not reverse.	Check spring of the air motor reversing-block.  Lubricate reversing-block with HP 150 oil.  Check if there is pilot air (depending on air motor model).
On intensive™, pump, the lubricant into the cup is fastly coloured.	Check the upper packing (tighten the cup or change seals if it is necessary).
On FLOWMAX® pump, leakage of fluid at the bottom of the air motor.	Check bellow.
Spraying trouble.	Refer to spray gun manual.
Decrease of material flow.	Refer to filter instruction manual.



# **HIGH PRESSURE PUMP FOR AIRMIX® AND AIRLESS SPRAYING OPERATING PRINCIPLE AND START-UP**

## **TRANSLATION OF THE ORIGINAL MANUAL**

**IMPORTANT : Before assembly and start-up, please read and clearly understand all the documents relating to this equipment (professional use only).**

*THE PICTURES AND DRAWINGS ARE NON CONTRACTUAL. WE RESERVE THE RIGHT TO MAKE CHANGES WITHOUT PRIOR NOTICE.*

### **KREMLIN - REXSON**

150, avenue de Stalingrad

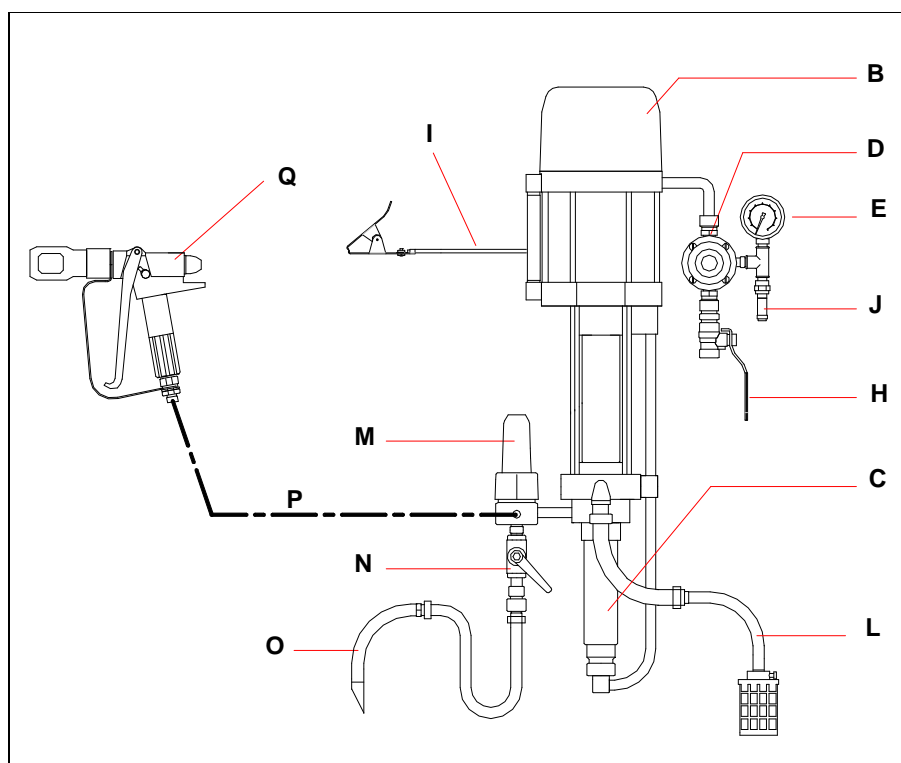
93 245 - STAINS CEDEX – France

**☎** : 33 (0)1 49 40 25 25      *Fax* : 33 (0)1 48 26 07 16

**[www.kremlin-rexson.com](http://www.kremlin-rexson.com)**



## FLOWMAX® AIRLESS PUMP



### Captions :

A	intensive™ or FLOWMAX® pump (B + C)	L	Suction rod (depending on version)
B	Air motor	M	Accumulator filter (depending on version)
C	Fluid section	N	Air shut off valve (depending on version)
D	"MOTOR AIR" air regulator	O	Air shut off rod (depending on version)
E	Gauge	P	HP Fluid hose
H	Air inlet valve	Q	Gun
I	Ground	R	T lubricant (1/4 l / 8.82 oz) (only for intensive™ pump)
J	Relief valve	S	Wetting-cup (only for intensive™ pump)

(For specific installation, please contact your KREMLIN REXSON representative).

**Nota :** If the pump is equipped with an accumulator filter (M), the filter is supplied with a screen n° 12 (filtration size : 280 µ or 55 mesh). The screen is recommended for the use of an AIRLESS® gun fitted with a nozzle model 20. If the fluid spraying is carried out by means of an other nozzle, please choose an other screen (refer to filter instruction manual). Adjust the screen to the application.

### Start up procedure :

- 1 - Ground the pump.
  - 2 - **If the pump is a intensive™ one, fill up the wetting-cup (S) with "T" lubricant (R) or with an appropriate solvent.**
  - 3 - Unscrew the air regulator (D).
  - 4 - Interconnect the equipment with the air pressure network (clean air - P < 6 bar / 87 psi). Install a water drop, model 3/4" if it is necessary.
  - 5 - Connect all the hoses , compressed air general supply hose and fluid hose (P), as well as the gun (Q).
- Nota :** Comply with the diameters of hoses recommended in the specifications of the pump.
- 6 - Remove the nozzle from the gun.

■ **FLUSHING WITH SOLVENT**

- 7 - Immerse suction rod (L) and air shut off rod (O) into the material container.
- 8 - Open air shut off valve (N).
- 9 - Open the valve (H) of the pump air equipment to supply the air motor.  
**Nota** : If the air motor is a 5000 or a 8000 version, it needs pilot air to operate. The pump air equipment supplies pilot air to the air motor. The air supply pressure is adjusted previously in the factory to 4 bars / 58 psi maximum.
- 10 - Increase the air regulator (D) so that the pump runs slowly (Pressure between 0.5 and 1 bar / 7.25 to 14.503 psi).
- 11 - Observe the drain (O); air bubbles come out from it. When bubbles no longer come out from it, shut off the drain valve (N).

■ **PRIMING WITH MATERIAL**

- 12 - Remove suction rod (L) and drain rod (O) from material container and immerse them in a solvent filled container.
- 13 - Open drain valve (N), wait until the material flows out regularly, then shut off the drain valve (N).
- 14 - Point the spray gun towards the material container and trigger the gun until the material flows out regularly.

■ **WORK**

- 12 - Remove suction rod (L) and drain rod (O) from material container and immerse them in a solvent filled container.
- 13 - Open drain valve (N), wait until the material flows out regularly, then shut off the drain valve (N).
- 14 - Point the spray gun towards the material container and trigger the gun until the material flows out regularly.

**Nota** : Some of these pumps are designed for AIRMIX ® spraying when using long hoses and medium or high viscosity fluids.

For this use, a spraying air kit shall be mounted on the pump air supply in order to feed compressed air to the spray gun.

## 2-2 PUMP SUPPLIED IN FILLING (CIRCULATING)

Interconnect the fluid inlet of the pump with the circulating supply hose and start up the pump as it is specified previously.

**If the pump is a FLOWMAX ® one :**

**WARNING:**

- **Fluid section filling pressure** : 2 bar maximum / 29 psi maximum
- **WARNING** : Do not create overpressure.
- **Never use** the pump when **an isolating gate on the supply circuit** (upstream from the FLOWMAX ® fluid section) is shut : **it would damage the bellows.**
- **Do not install** a material regulator on the supply circuit or any arrangement that could perform as a non-return valve.

### 3. SHUTDOWN AT THE END OF THE WORK

#### ▪ SHORT DURATION SHUTDOWN

- 1 - Decrease the material pressure of air regulator (D) until reading **0 bar / 0 psi** on gauge (E).
- 2 - Trigger the gun to depressurize the system.
- 3 - Remove the nozzle of the spray gun and soak it into solvent.

#### ▪ LONG DURATION SHUTDOWN

- 1 - Decrease the material pressure of air regulator (D) until reading **1 bar / 14.503 psi** on gauge (E).
- 2 - Remove the nozzle from the spray gun and soak it into solvent.
- 3 - Open the drain valve. The pump must operate at low speed. If the speed is too high, decrease the pump air pressure (D).
- 4 - Remove the suction rod and the drain rod from the material container and immerse it in a solvent-filled container. Take all the appropriate precautions in the presence of flammable solvents.
- 5 - When the solvent flows out clear and clean, close the drain valve.
- 6 - Point the spray gun towards the material container and press the gun trigger. When the solvent flows out, point the gun towards the recovery container.
- 7 - When the solvent flows out regularly, release the spray gun trigger.

**Nota : If the pump is a intensive™ one, release the spray gun trigger when the pump piston is in a low position. To prevent from damaging the seals when starting once again the pump, the piston must be immersed into solvent.**

- 8 - Fully unscrew the air regulator (D) and shut off the main compressed air valve (valve H).
- 9 - Trigger the spray gun trigger to decompress the hoses. Therefore, the pump and the hose remain filled with solvent at the atmospheric pressure.

### 4. SAFETY DEVICE

**Guards (air motor cover, coupling shields, housings ...) have been designed for safe use of the equipment.**  
**The manufacturer will not be held responsible for bodily injury or failure and / or damage to property due to removal or partial removal of the guards**

A relief-valve (setting : 6.5 bar / 94 psi) is fitted on the pump air motor - thus protecting this one from an overpressure which could damage it.



## AIRLESS PUMP

**40-25 F**

**TECHNICAL FEATURES**

### TRANSLATION FROM THE ORIGINAL MANUAL

***IMPORTANT : Before assembly and start-up, please read and clearly understand all the documents relating to this equipment (professional use only).***

THE PICTURES AND DRAWINGS ARE NON CONTRACTUAL. WE RESERVE THE RIGHT TO MAKE CHANGES WITHOUT PRIOR NOTICE.

#### **KREMLIN - REXSON**

150, avenue de Stalingrad

93 245 - STAINS CEDEX – France

☎ : 33 (0)1 49 40 25 25      Fax : 33 (0)1 48 26 07 16

**[www.kremlin-rexson.com](http://www.kremlin-rexson.com)**

## 1. DESCRIPTION

- Air operated piston pump (stainless steel) - with a bellows seal fluid packing
- Low maintenance and ease of use - Use without lubrication

### Recommended for :

- Supplying one or several spray guns
- Water-based or solvent-based paints whose viscosity is lower than 1 000 mPa/s

## 2. TECHNICAL FEATURES

Motor type ..... 1000-4  
 Pump body type ..... 25 F  
 Theoretical pressure ratio ..... 40/1

### Wetted parts :

Hard chrome stainless steel, Stainless steel, Carbide.

### Tightness packings :

Bellows : Polyethylene  
 Upper, fixed : GT (polyethylene)  
 Lower, mobile : GT (polyethylene)

Air motor stroke	100 mm	4"
Air motor section	100 cm <sup>2</sup>	15 sq.in
Fluid section	2,5 cm <sup>2</sup>	0.4 sq.in
Delivery per cycle	50 cc	1.76 oz
Number of cycle	20 per liter	76 per gal
Fluid delivery (30 cycles)	1,5 l	0.4 Usgal
Maximum air operating pressure	6 bar	88 psi
Maximum discharge pressure	240 bar	3 480 psi
Weighted sound pressure (LAeq)	80 dBa*	80 dBa*
Maximum operating pressure	50° C	122° F
Weight	27 kg	59.5 Lbs

### \* Test conditions - Noise level :

- Test duration : 30 s,
- Motor air pressure : 6 bar,
- Material used : water,
- Flow rate : Pump adjusted at 20 cycles/minute

### ▪ FITTINGS

		Bare pump	Pump assembly
Air	Inlet	F 3/8 BSP	F 3/4 BSP (Air supply)
Fluid	Inlet	F 1/2 BSP	Male 26 x 125 + suction rod (fitting F 26 x 125)
	Outlet	F 3/8 NPS	Male 1/2 JIC / # 5 JIC (Filter outlet)

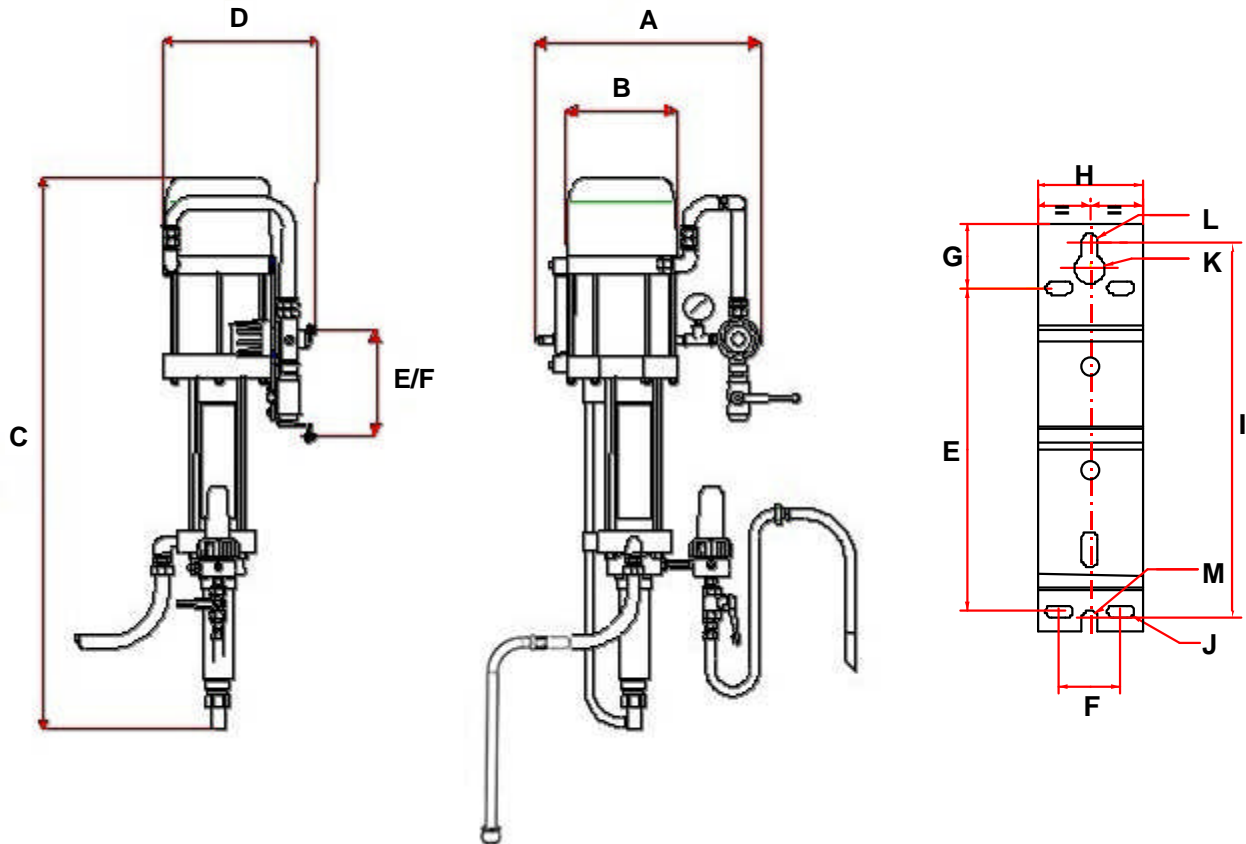
### ▪ HOSES WITH FITTINGS

Pump air supply hose (minimum  $\varnothing$  for a 5m / 16.5 ft length) :  $\varnothing$  16 mm / 5/8"  
 AIRLESS fluid hose (between pump fluid outlet and spray gun) :  $\varnothing$  4.8 mm / 3/16"



▪ DIMENSIONS

Ind.	mm	"	Ind.	mm	"	Ind.	mm	"
A	400	15.75	B	220	8.7	C	975	38.4
D	280	11	E	182	7.2	F	35	1.38
G	36.5	1.43	H	60	2.36	I	211.5	8.3
J	Ø 7 x 15	Ø 0.27 x 0.6	K	Ø 17	Ø 0.67	L	Ø 9	Ø 0.35
M	Ø 9	Ø 0.35						

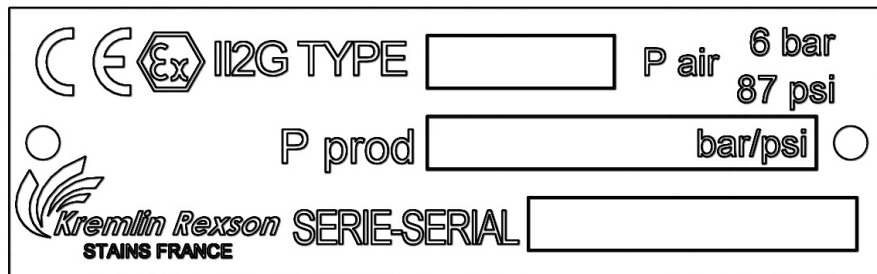



### 3. INSTALLATION

The pumps are designed to be installed in a spray booth.

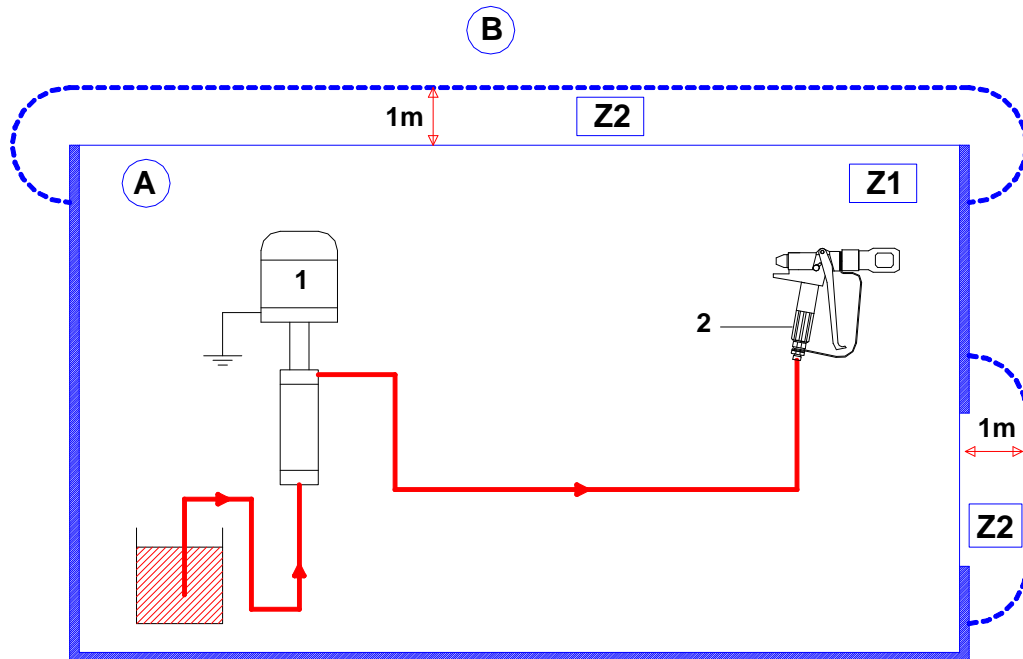
▪ **DESCRIPTION OF THE LABEL MARKING**

Marking in accordance with the ATEX Directive



<b>KREMLIN REXSON STAINS FRANCE</b>	Name and address of the manufacturer
<b>TYPE xx</b>	Pump model
 <b>II 2 G</b>	<b>II</b> : group II <b>2</b> : class 2 Surface equipment meant to area where explosive atmospheres due to gas, vapours, mists are liable to appear from time to time in usual operating <b>G</b> : gas
<b>P prod : xx bar / xx psi</b>	Maximum fluid pressure at the pump outlet
<b>P air : 6 bar / 87 psi</b>	Air supply maximum pressure of the pump motor
<b>Serie / Serial</b>	Number given by KREMLIN REXSON. The two first numbers indicate the manufacturing year.

■ INSTALLATION INSTRUCTIONS



Ind.	Description
A	Explosive area area 1 (Z1) or area 2 (Z2) : spray booth
B	Non explosive area

Ind.	Description
1	Pump
2	Spray gun



The 1 m / 39.37" distance indicated in these diagrams is given for information purposes only and hold harmless to KREMLIN REXSON. The user is responsible for the extraction and conditioning of the painting area where the equipment is used, for working conditions conditions (refer to EN 60079-10 standard). The 1 m / 39.37" distance may be modified if trials carried out by the user deem this necessary.



*NB : Choose the appropriate pump to ensure that the working pressure supplied is suitable for the selected gun.*