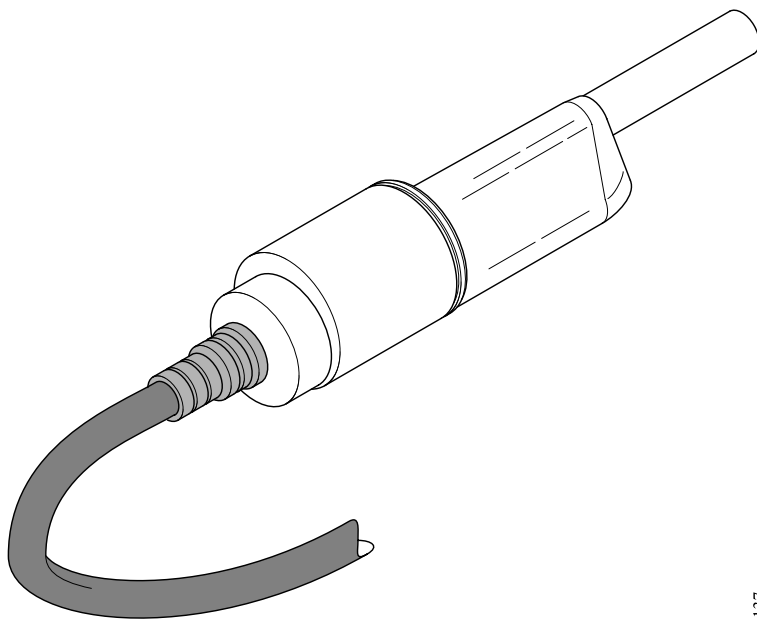




From February 1st, 2017 SAMES Technologies SAS becomes SAMES KREMLIN SAS  
A partir du 1/02/17, SAMES Technologies SAS devient SAMES KREMLIN SAS



DES00137

# User manual

## UHT 153 robotic «Europe»

FRANCE

**SAMES Technologies.** 13 Chemin de Malacher 38243 Meylan Cedex  
Tel. 33 (0)4 76 41 60 60 - Fax. 33 (0)4 76 41 60 90 - [www.sames.com](http://www.sames.com)

USA

**SAMES Technologies Inc.** 11998 Merriman Road, Livonia, Michigan, 48 150  
Tel. (734) 261.5970 - Fax. (734) 261.5971 - [www.sames.com](http://www.sames.com)

Any communication or copying of this document, in any form whatsoever, and any use or divulging of its contents is forbidden without express written permission from SAMES Technologies.

The descriptions and characteristics contained in this document may be changed without prior warning and are in no way binding on SAMES Technologies.

© SAMES Technologies 2004



**WARNING :** Sames Technologies is registered as a "Training Center" approved by the "Ministry of Employment".  
Trainings with the aim of getting the necessary know-how to use and for the maintenance of your equipment can be organised all along the year.  
A catalog is available upon request. Among the different training programmes proposed, you will be able to find the training which corresponds the best to your needs and production purposes. These trainings can be organised in your premises or in our training center based in our headquarters in Meylan.

**Service formation :**

**Tel.: 33 (0)4 76 41 60 04**

**E-mail : formation-client@sames.com**

## UHT 153 robotic «Europe»

1. Introduction	4
2. Description	4
3. Characteristics	4
3.1. <i>Electrical characteristics</i>	4
4. Mechanical characteristics	4
5. Safety précautions	4
6. Electrical connexions	5
7. Spare parts	6

## 1. Introduction

The high voltage unit **UHT 153 robotic** permits to feed a paint applicator with high voltage without high voltage cable. This unit is mainly used for the **PPH 607** atomiser or **PPH 308**

## 2. Description

The **UHT 153 robotic** comprises:

- A moulded part with:
  - High voltage elements (transformer, cascade, measuring resistance and priming resistance),
  - Low voltage elements (recognition resistance and protection elements)
  - High voltage outlet adapted for use with **PPH 607** atomiser.

## 3. Characteristics

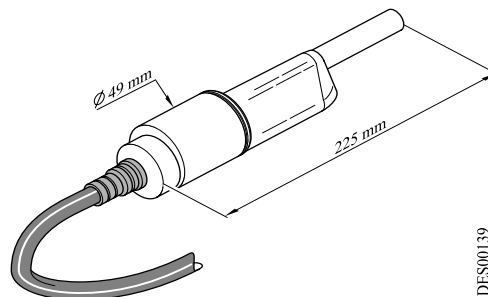
### 3.1. Electrical characteristics

Max input voltage	≤ 60 V RMS – 25 kHz roughly
Outlet voltage	85 kV, negative polarity.
Outlet current	100 μA
Outlet power	10 W max

\* Voltage and current on output 2 of 12 pin plug of **GNM 100** or on brown wire (small) : + 15 Vdc ± 2 V with respect to the earth of the generator; maximum current available available: 50 mA.  
because of the presence of the thermic circuit breaker, the cabling diagrams of the outside trigger are not applicable. Only use drawing on next page.

## 4. Mechanical characteristics

Cable length: 7 m

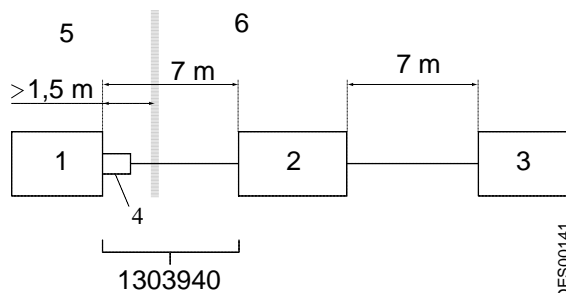


## 5. Safety precautions

- Clean and grease with vaseline before fitting.
- Never assemble or disassemble with voltage on.
- Do not put the low voltage cable into contact with solvent.
- Cable length between high voltage unit and generator **GNM 100** (unit cable + any extension) is 30 m.
- Connection between l'**UHT 153 robotic** and low voltage generator **GNM 100** can be:
  - Through connection box situated at 7 m from the **UHT 153 robotic** in a zone outside class 1, division 1 or class 1 division 2.
  - Direct (low voltage cable 7 m),



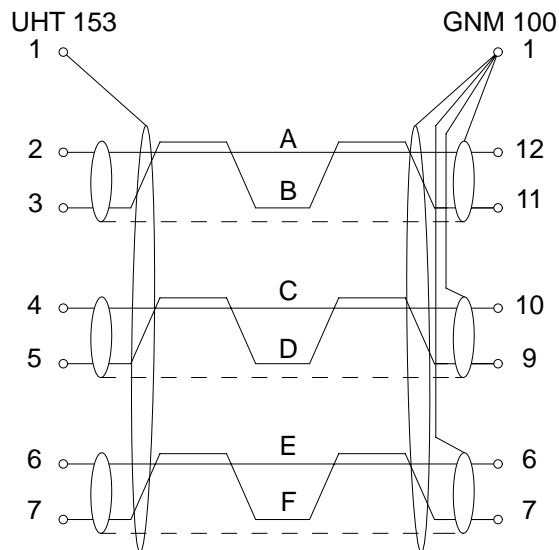
**WARNING :** the GNM 100 (or the GNM 100-A) must be placed in a zone outside class 1, division 1, or class 1 division 2.



DES00141

1	<b>GNM 100 or GNM 100A</b>
2	Connexion box
3	<b>UHT 153 robotic</b>
4	Male 12 pins plug
5	Exterior booth
6	Interior booth

## 6. Electrical connexions



DES01403

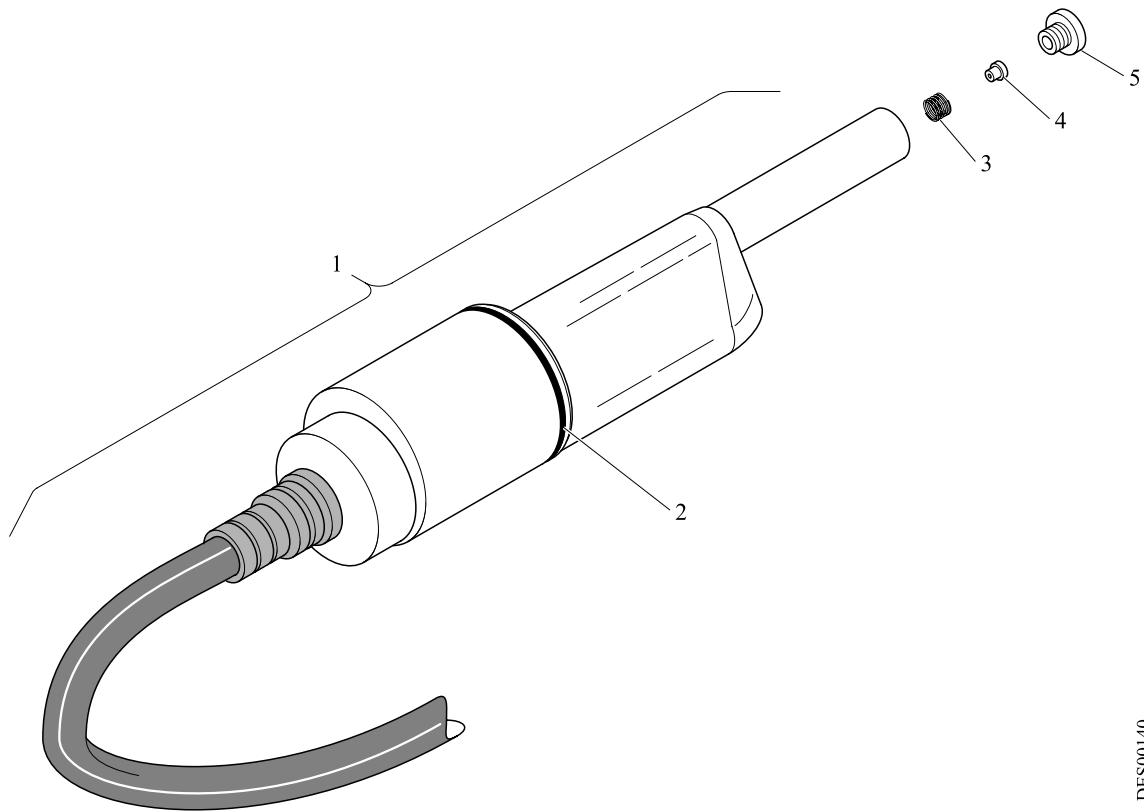
		Section & wire		Signal description
1		Ground		
2	A	Yellow	0,34 mm <sup>2</sup>	UHT Signal
3	B	Green	0,34 mm <sup>2</sup>	HV signal I
4	C	White	0,5 mm <sup>2</sup>	transformer input
5	D	Brawn	0,5 mm <sup>2</sup>	transformer output
6	E	Pink	0,34 mm <sup>2</sup>	Signal L
7	F	Grey	0,34 mm <sup>2</sup>	Signal H

The cable used for the connections must respect:

- wire diameter comprised between 0,3 mm<sup>2</sup> and 0,8 mm<sup>2</sup>
- diameter: 4 mm mini and 8 mm maxi.
- a complete shielding and a second shielding for each pair of wire

**Nota :** Should some wires are not used, they should be connected to the ground

## 7. Spare parts



DES00140

Fig.	Part number	Description	Qty	Sold in units of
1	1511343	UHT 153 robotic with low voltage cable	1	1
2	J2FTDF416	O ring - viton	1	1
3 *	Q2HRDC095	HV spring	1	1
4 *	548303	HV connector stop	1	1
5 *	548304	Low voltage stop	1	1

**Nota:** \* These parts are not delivered with the UHT 153 robotic. They are only mentioned for information.