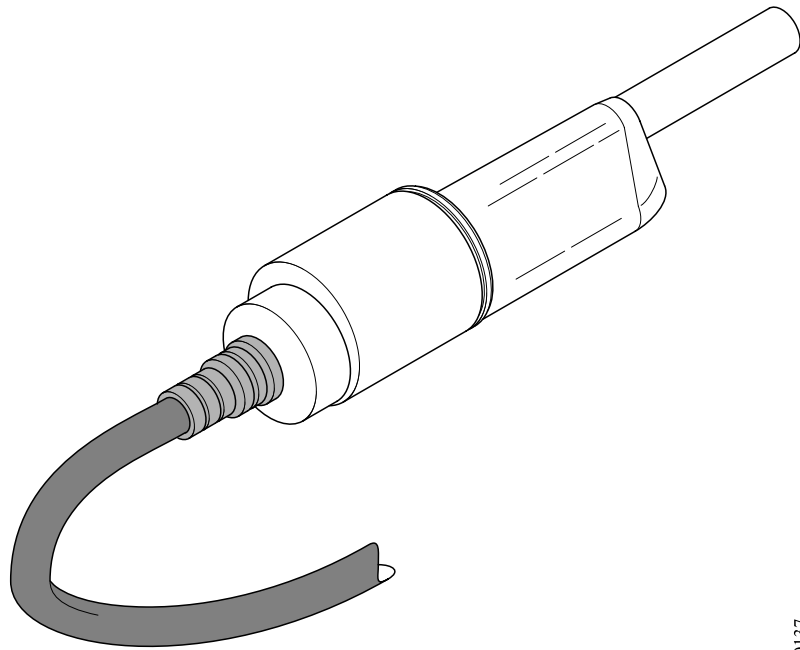




From February 1st, 2017 SAMES Technologies SAS becomes SAMES KREMLIN SAS
A partir du 1/02/17, SAMES Technologies SAS devient SAMES KREMLIN SAS



DES00137

User manual

UHT 155 EEx m High voltage unit with moulded cable

FRANCE

SAMES Technologies. 13 Chemin de Malacher 38243 Meylan Cedex
Tel. 33 (0)4 76 41 60 60 - Fax. 33 (0)4 76 41 60 90 - www.sames.com

USA

SAMES Technologies Inc. 11998 Merriman Road, Livonia, Michigan, 48 150
Tel. (734) 261.5970 - Fax. (734) 261.5971 - www.sames.com

Any communication or copying of this document, in any form whatsoever, and any use or divulging of its contents is forbidden without express written permission from SAMES Technologies.

The descriptions and characteristics contained in this document may be changed without prior warning and are in no way binding on SAMES Technologies.

© SAMES Technologies 2004



WARNING : Sames Technologies is registered as a "Training Center" approved by the "Ministry of Employment".
Trainings with the aim of getting the necessary know-how to use and for the maintenance of your equipment can be organised all along the year.
A catalog is available upon request. Among the different training programmes proposed, you will be able to find the training which corresponds the best to your needs and production purposes. These trainings can be organised in your premises or in our training center based in our headquarters in Meylan.

Service formation :

Tel.: 33 (0)4 76 41 60 04

E-mail : formation-client@sames.com

UHT 155 EEx m
High voltage unit
with moulded cable

1. Warnings - - - - -	4
1.1. <i>The high voltage unit UHT 155 EEx m marking</i>	4
2. Introduction - - - - -	4
3. Description - - - - -	4
4. Characteristics - - - - -	5
4.1. <i>Electrical characteristics</i>	5
4.2. <i>Mechanical characteristics</i>	5
5. Safety précautions - - - - -	5
6. Maintenance- - - - -	6
6.1. <i>Electrical connexions</i>	6
7. Spare parts- - - - -	7
7.1. <i>UHT 155 EEx m High Voltage Unit</i>	7
7.2. <i>Cables</i>	8

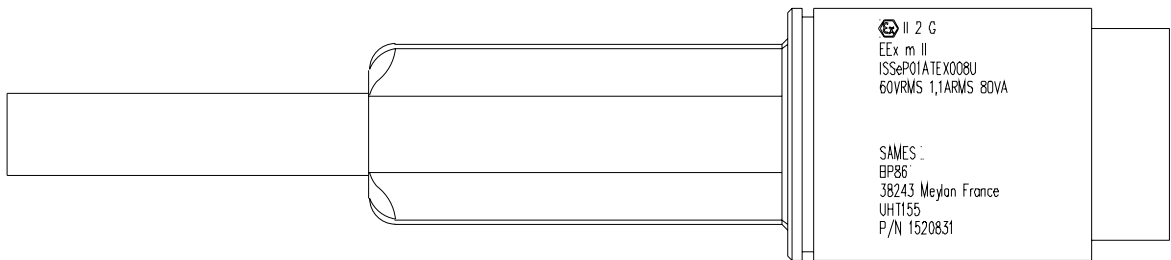
1. Warnings



WARNING : This equipment may become a safety hazard if it is not operated, disassembled and reassembled in accordance with the instructions given in this manual.

See the equipment manual.

1.1. The high voltage unit UHT 155 EEx m marking



DES03298

2. Introduction

The high voltage unit UHT 155 EEx m permits to feed a paint applicator with high voltage without high voltage cable. This unit is used for example for the PPH 607 atomiser.

3. Description

The UHT 155 EEx m comprises:

- A moulded part with:
 - High voltage elements (transformer, cascade, measuring resistance and priming resistance),
 - Low voltage elements (recognition element and protection elements)
 - High voltage outlet adapted for use with atomiser.

4. Characteristics

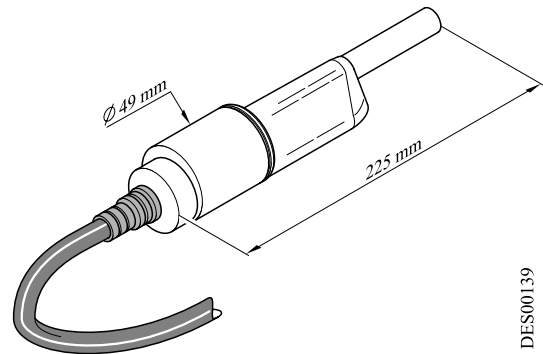
4.1. Electrical characteristics

Max input voltage	36 V RMS – 25 kHz roughly
Outlet voltage	90 kV, negative polarity.
Outlet current	100 μ A
Outlet power	10 W max

4.2. Mechanical characteristics

Weight: 0,48 Kg - 1.06 Lbs

Cable length: 8 m



DES00139

5. Safety précautions

- Clean and grease with dielectric grease before fitting.
- Never assemble or disassemble with voltage on.
- Do not put the low voltage cable into contact with solvent.
- Cable length between high voltage unit and generator GNM 200 -A is 20 m, 65.6 feet.



WARNING : the GNM 200-A must be placed in a anti-fire zone at least 1,5 m (4,9 feet) from the opening of the nearest booth.

6. Maintenance

6.1. Electrical connexions

Cable diameter: = CEE 0,5 mm² or 0,34 mm²

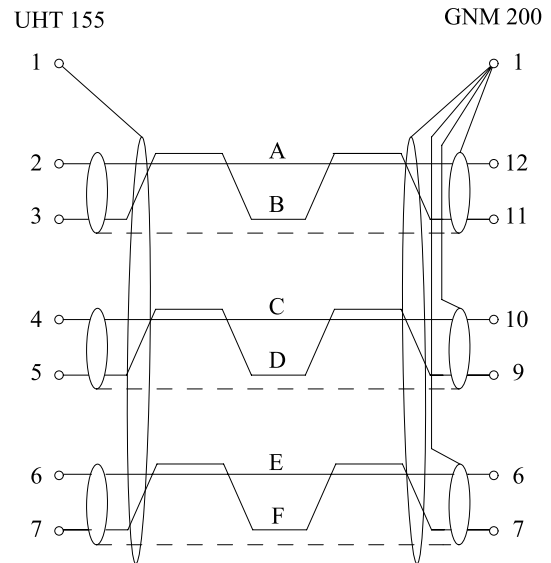
Cable diameter: US = Gauge AWG 20 or AWG 22

A	Yellow	0,34 mm ²
B	Green	0,34 mm ²
C	White	0,34 mm ²
D	Braun	0,34 mm ²
E	Pink	0,34 mm ²
F	Grey	0,34 mm ²

The cable used for the connections must respect:

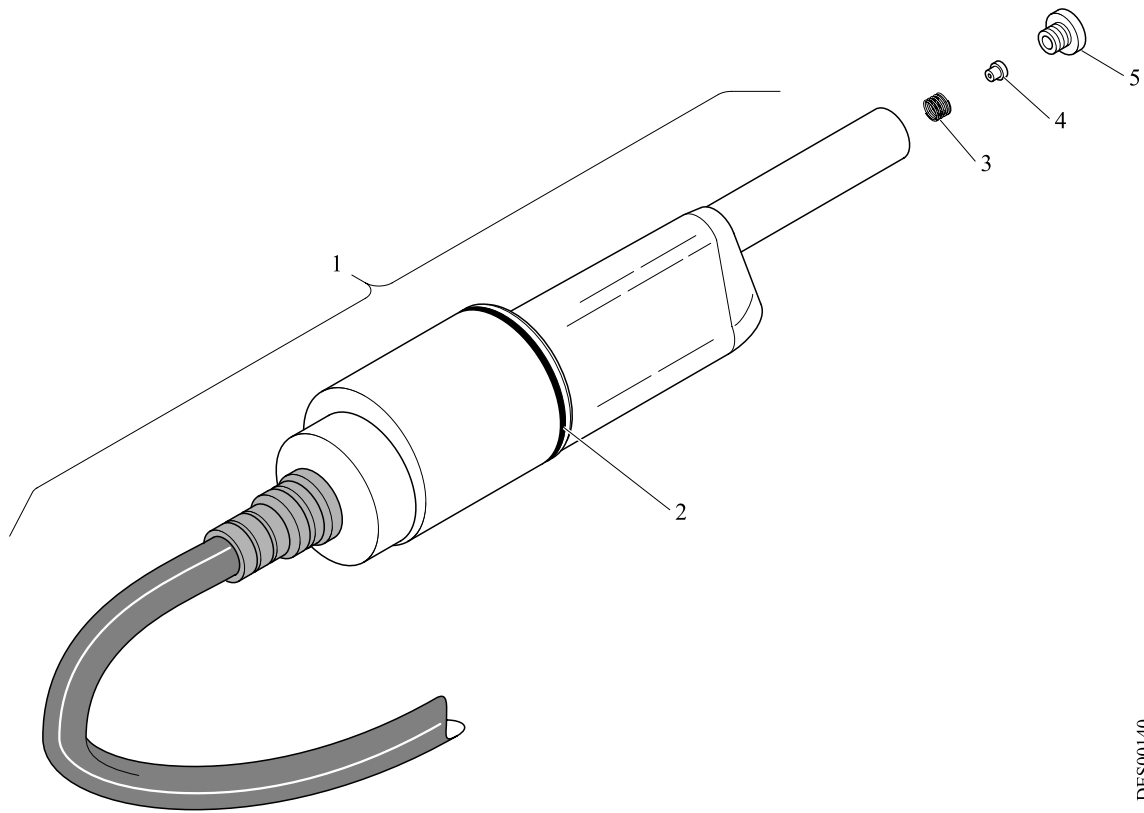
- wire diameter comprised between 0,3 mm² and 0,8 mm²
- diameter: 4 mm mini and 8 mm maxi.
- a complete shielding and a second shielding for each pair of wire

Nota : Should some wires are not used, they should be connected to the ground



7. Spare parts

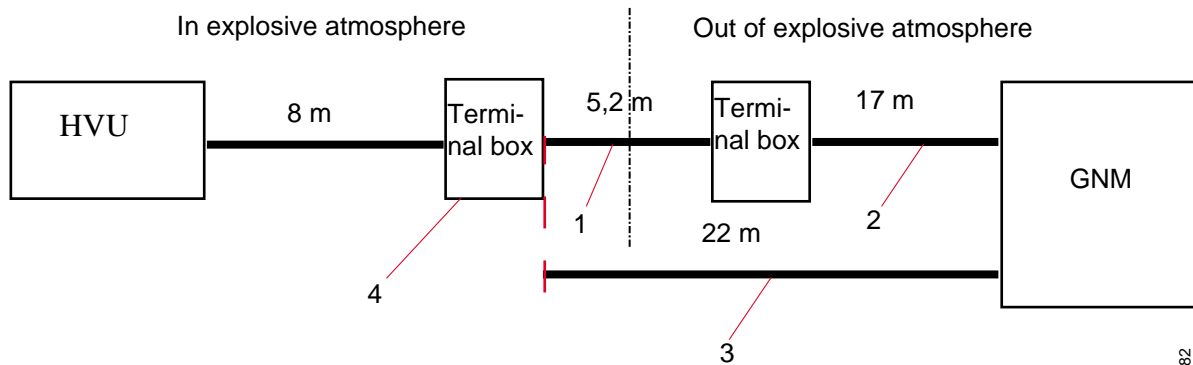
7.1. UHT 155 EEx m High Voltage Unit



Item	Part number	Description	Qty	Sale unit
1	1520831	UHT 155 EEx m high voltage unit	1	1
2	J2FTDF416	O-Ring - Viton	1	1
3	Q2HRDC095	HV spring	1	1
4	548303	HV connector stop	1	1
5	548304	High voltage stop	1	1

7.2. Cables

Note: Each cable has a defined length; for other lengths, please, contact SAMES Technologies.



DES03282

Item	Part number	Description	Qty	Sale unit
1	910000086	Connection cable, Length: 5,2 m	1	1
2	910000070	Low voltage cable, Length: 17 m (Connection terminal box to GNM)	1	1
3	1520516	Low voltage cable, Lg: 22 m (Connection terminal box to GNM)	1	1
4	1303899AT	Terminal box	1	1



WARNING : Cable length between the High Voltage Unit and the Control Modul GNM (unit cable + any extension) should not exceed 30m.