



DOCUMENTATION - DOKUMENTATION - DOCUMENTACIÓN

POMPE / PUMP / PUMPE / BOMBA

**EOS 15-C25 / 30-C25**

Notice / Manual / Betriebsanleitung / Libro : 582.019.110 - 1605

Date / Datum / Fecha : 27/05/16

Annule / Supersede / Ersetzt / Anula :

Modif. / Änderung :

**NOTICE ORIGINALE / TRANSLATION FROM THE ORIGINAL MANUAL**  
**/ ÜBERSETZUNG DER ORIGINAL BETRIEBSANLEITUNG**  
**/ TRADUCCIÓN DEL MANUAL ORIGINAL**

**IMPORTANT : Lire attentivement tous les documents avant le stockage, l'installation ou la mise en service du matériel concerné (à usage strictement professionnel).**

**Before assembly and start-up, please read and clearly understand all the documents relating to this equipment (professional use only).**

**WICHTIGER HINWEIS: Vor Lagerung, Installation oder Inbetriebnahme des Geräts bitte sämtliche Dokumente sorgfältig lesen (Einsatz nur von geschultem Personal).**

**IMPORTANTE : Lea con atención todos los documentos antes de almacenar, instalar o poner en marcha el equipo (uso exclusivamente profesional).**

PHOTOS ET ILLUSTRATIONS NON CONTRACTUELLES. MATERIELS SUJETS A MODIFICATION(S) SANS PREAVIS.

THE PICTURES AND DRAWINGS ARE NON CONTRACTUAL. WE RESERVE THE RIGHT TO MAKE CHANGES WITHOUT PRIOR NOTICE.

ALLE IN DIESEM DOKUMENT ENTHALTENEN SCHRIFTLICHEN ANGABEN UND ABBILDUNGEN STELLEN DIE NEUESTEN

PRODUKTINFORMATIONEN DAR. WIR BEHALTEN UNS DAS RECHT VOR, JEDERZEIT OHNE VORANKÜNDIGUNG ÄNDERUNGEN VORZUNEHMEN.

LAS FOTOGRAFÍAS E ILUSTRACIONES NO SON VINCULANTES. LOS MATERIALES ESTÁN SUJETOS A CAMBIOS SIN PREVIO AVISO.

**KREMLIN - REXSON**

150, avenue de Stalingrad

93 245 - STAINS CEDEX - France

☎ : 33 (0)1 49 40 25 25      Fax : 33 (0)1 48 26 07 16

**www.kremlin-rexson.com**



<p style="text-align: center;"><b>FR</b></p> <p><b>Pour une utilisation sûre, il est de votre responsabilité de :</b></p> <ul style="list-style-type: none"> <li>• Lire attentivement tous les documents contenus dans le CD joint avant la mise en service de l'équipement,</li> <li>• D'installer, d'utiliser, d'entretenir et de réparer l'équipement conformément aux préconisations de KREMLIN REXSON ainsi qu'aux réglementations nationales et/ou locales,</li> <li>• Vous assurez que les utilisateurs de cet équipement ont été formés, ont parfaitement compris les règles de sécurité et qu'ils les appliquent.</li> </ul>	<p style="text-align: center;"><b>UK</b></p> <p><b>To ensure safe use of the machinery, it is your responsibility to:</b></p> <ul style="list-style-type: none"> <li>• Carefully read all documents contained on the enclosed CD before putting the machinery into service,</li> <li>• Install, use, maintain and repair the machinery in accordance with KREMLIN REXSON's recommendations and national and/or local regulations,</li> <li>• Make sure that the users of the machinery have received proper training and that they have perfectly understood the safety rules and apply them.</li> </ul>	<p style="text-align: center;"><b>DE</b></p> <p><b>Eine sichere Nutzung setzt voraus, dass Sie: :</b></p> <ul style="list-style-type: none"> <li>• alle in der CD enthaltenen Dokumente vor der Inbetriebnahme der Anlage aufmerksam lesen,</li> <li>• die Anlage im Einklang mit den Empfehlungen von KREMLIN REXSON sowie mit den nationalen und/oder lokalen Bestimmungen installieren, verwenden, warten und reparieren,</li> <li>• sich vergewissern, dass die Nutzer dieser Anlage angemessen geschult wurden, die Sicherheitsbestimmungen verstanden haben und sie anwenden.</li> </ul>
<p style="text-align: center;"><b>ES</b></p> <p><b>Para una utilización segura, será de su responsabilidad:</b></p> <ul style="list-style-type: none"> <li>• leer atentamente todos los documentos que se incluyen en el CD adjunto antes de la puesta en servicio del equipo,</li> <li>• instalar, utilizar, efectuar el mantenimiento y reparar el equipo con arreglo a las recomendaciones de KREMLIN REXSON y a la normativa nacional y/o local,</li> <li>• cerciorarse de que los usuarios de este equipo han recibido la formación necesaria, han entendido perfectamente las normas de seguridad y las aplican.</li> </ul>	<p style="text-align: center;"><b>IT</b></p> <p><b>Per un uso sicuro, vi invitiamo a:</b></p> <ul style="list-style-type: none"> <li>• leggere attentamente tutta la documentazione contenuta nel CD allegato prima della messa in funzione dell'apparecchio,</li> <li>• installare, utilizzare, mantenere e riparare l'apparecchio rispettando le raccomandazioni di KREMLIN REXSON, nonché le normative nazionali e/o locali,</li> <li>• accertarvi che gli utilizzatori dell'apparecchio abbiano ricevuto adeguata formazione, abbiano perfettamente compreso le regole di sicurezza e le applichino.</li> </ul>	<p style="text-align: center;"><b>PT</b></p> <p><b>Para uma utilização segura, é da sua responsabilidade:</b></p> <ul style="list-style-type: none"> <li>• Ler atentamente todos os documentos incluídos no CD em anexo antes de pôr o equipamento em funcionamento,</li> <li>• Proceder à instalação, utilização, manutenção e reparação do equipamento de acordo com as preconizações de KREMLIN REXSON, bem como com outros regulamentos nacionais e/ou locais aplicáveis,</li> <li>• Assegurar-se que os utilizadores do equipamento foram devidamente capacitados, compreenderam perfeitamente e aplicam as devidas regras de segurança.</li> </ul>
<p style="text-align: center;"><b>NL</b></p> <p><b>Voor een veilig gebruik dient u:</b></p> <ul style="list-style-type: none"> <li>• alle document op de bijgevoegde cd aandachtig te lezen alvorens het apparaat in werking te stellen,</li> <li>• het apparaat te installeren, gebruiken, onderhouden en repareren volgens de door KREMLIN REXSON gegeven aanbevelingen en overeenkomstig de nationale en/of plaatselijke reglementeringen,</li> <li>• zeker te stellen dat de gebruikers van dit apparaat zijn opgeleid, de veiligheidsregels perfect hebben begrepen en dat zij die ook toepassen.</li> </ul>	<p style="text-align: center;"><b>SE</b></p> <p><b>För en säker användning av utrustningen ansvarar ni för följande:</b></p> <ul style="list-style-type: none"> <li>• Läs noga samtliga dokument som finns på den medföljande cd-skivan innan utrustningen tas i drift.</li> <li>• Installera, använd, underhåll och reparera utrustningen enligt anvisningarna från KREMLIN REXSON och enligt nationella och/eller lokala bestämmelser.</li> <li>• Försäkra er om att användare av denna utrustning erhållit utbildning, till fullo förstått säkerhetsföreskrifterna och tillämpar dem.</li> </ul>	<p style="text-align: center;"><b>FI</b></p> <p><b>Käytön turvallisuuden varmistamiseksi velvollisuutesi on:</b></p> <ul style="list-style-type: none"> <li>• Lukea huolella kaikki CD:llä olevat asiakirjat ennen laitteiston käyttöönottoa,</li> <li>• Noudattaa laitteiston asennuksessa, käytössä, kunnossapidossa ja huollossa KREMLIN REXSON in suosituksia sekä kansallisia ja/tai paikallisia määräyksiä,</li> <li>• Varmistaa, että laitteiston käyttäjät ovat koulutettuja ja ymmärtävät täysin turvallisuusmääräykset ja miten niitä sovelletaan.</li> </ul>
<p style="text-align: center;"><b>PL</b></p> <p><b>Dla zapewnienia bezpiecznego użytkowania na użytkownika spoczywa obowiązek:</b></p> <ul style="list-style-type: none"> <li>• Uważnego zapoznania się ze wszystkimi dokumentami znajdującymi się na załączonej płycie CD przed pierwszym uruchomieniem urządzenia,</li> <li>• Instalowania, użytkowania, konserwacji i naprawy urządzenia zgodnie z zaleceniami firmy KREMLIN REXSON oraz z przepisami miejscowymi,</li> <li>• Upewnienia, że wszyscy przeszkoleni użytkownicy urządzenia zrozumieli zasady bezpieczeństwa i stosują się do nich.</li> </ul>	<p style="text-align: center;"><b>CS</b></p> <p><b>Pro bezpečné používání jste povinni:</b></p> <ul style="list-style-type: none"> <li>• Před uvedením zařízení do provozu si pozorně přečíst veškeré dokumenty obsažené na příloženém CD,</li> <li>• Nainstalovat, používat, udržovat a opravovat zařízení v souladu s pokyny firmy KREMLIN REXSON a s národními a/nebo místními legislativními předpisy,</li> <li>• Ujistit se, že uživatelé tohoto zařízení byli vyškoleni, že dokonale pochopili bezpečnostní pravidla a že je dodržují.</li> </ul>	<p style="text-align: center;"><b>RU</b></p> <p><b>Для целей безопасного использования необходимо:</b></p> <ul style="list-style-type: none"> <li>• Ознакомиться со всеми документами, содержащимися в прилагаемом компакт-диске до ввода оборудования в эксплуатацию;</li> <li>• Устанавливать, использовать, производить техническое обслуживание и ремонт оборудования в соответствии с рекомендациями KREMLIN REXSON и национальным и/или местным законодательством;</li> <li>• Убедиться, что пользователи настоящего оборудования прошли подготовку, надлежащим образом усвоили правила безопасности и обеспечивают их соблюдение.</li> </ul>

Déclaration(s) de conformité au verso de ce document / Declaration(s) of conformity at the back of this document / Konformitätserklärung(en) auf der Rückseite dieser Unterlage / Declaración (es) de conformidad en el reverso de este documento / Dichiarazione/i di conformità sul retro del presente documento / Declaração(ões) de conformidade no verso do documento / Conformiteitsverklaring(en) op de keerzijde van dit document / Försäkran om överensstämmelse på omstående sida av detta dokument / Vaatimustenmukaisuusvakuutukset tämän asiakirjan kääntöpuolella / Deklaracja(e) zgodności na odwrocie dokumentu / Prohlášení o shodě se nachází/nacházejí na zadní straně tohoto dokumentu / Сертификат(ы) соответствия расположены на оборотной стороне настоящего документа



**DECLARATION UE DE CONFORMITE**  
**UE DECLARATION OF CONFORMITY**  
**EU- KONFORMITÄTSEKLRÄRUNG**  
**DECLARACIÓN UE DE CONFORMIDAD**  
**DICHIARAZIONE DI CONFORMITÀ UE**  
**DECLARAÇÃO UE DE CONFORMIDADE**  
**EU-CONFORMITEITSVERKLARING**  
**EU-FÖRSÄKRAN OM ÖVERENSSTÄMMELSE**  
**EU- VAATIMUKSEN MUKAISUUSVAKUUTUS**  
**DEKLARACJA ZGODNOŚCI UE**  
**EU PROHLÁŠENÍ O SHODĚ**  
**ДЕКЛАРАЦИЯ О СООТВЕТСТВИИ НОРМАМ ЕС**

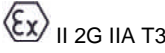
Le fabricant / The manufacturer / Der Hersteller / El fabricante / Il produttore / O fabricante / De fabrikant / Tillverkare / Valmistaja / Producent / Výrobce / Изготовитель:	<b>KREMLIN REXSON</b> 150, avenue de Stalingrad 93 240 - STAINS - FRANCE Tél. 33 (0)1 49 40 25 25 - Fax : 33 (0)1 48 26 07 16
--	--

Déclare que le matériel désigné ci-après / Herewith declares that the equipment / erklärt hiermit, dass die / Declara que el material designado a continuación / Dichiaro che il materiale sottoindicato / Declara que o material a seguir designado / verklaart dat de hieronder aangeduide apparatuur / Kungör att den utrustning som anges här nedan / ilmoittaa, että alla mainitut laitteistot / Oświadczka, że wymienione poniżej urządzenia / Prohlašuje, že níže uvedené vybavení / Декларирует, что ниженазванное оборудование:

**POMPES / PUMPS / PUMPEN / BOMBAS / POMPE / POMPEN / PUMPAR / PUMPUT / POMPY / НАСОСЫ**

EOS 15-C25
EOS 30-C25
EOS 15-C50

Est conforme à la législation d'harmonisation de l'Union applicable suivante / Is in conformity with the relevant Union harmonisation legislation / Erfüllt die einschlägigen Harmonisierungsrechtsvorschriften der Union / es conforme con la legislación de armonización pertinente de la Unión / è conforme alla pertinente normativa di armonizzazione dell'Unione / in overeenstemming met de desbetreffende harmonisatiewetgeving van de Unie / med den relevanta harmoniserade unionslagstiftningen / on asiaa koskevan unionin yhdenmukaistamislainsäädännön vaatimusten mukainen / jest zgodny z odpowiednimi wymaganiami unijnego prawodawstwa harmonizacyjnego / Shoduje se s následující příslušnou evropskou harmonizační legislativou / Соответствует следующим стандартизированным нормам Союза

Directive ATEX / ATEX Directive / ATEX Richtlinie / Directiva ATEX / Direttiva ATEX / Diretiva ATEX / ATEX-Richtlijn / ATEX-direktivet / ATEX-direktivi / Dyrektywa ATEX / Směrnice ATEX / Директива ATEX 	<b>2014/34/UE</b>
Procédure d'évaluation de la conformité : Module A Documentation technique (Annexe VIII) archivée par : / Conformity assessment procedure: Module A Technical documentation (ANNEX VIII) recorded by: / Verfahren zur Konformitätsbewertung: Modul A Technische Unterlagen (ANLAGE VIII) archiviert durch: / Procedimiento de evaluación de la conformidad: Módulo A Documentación técnica (ANEXO VIII) archivada por: / Procedura di valutazione della conformità: Modulo A Documentazione tecnica (ALLEGATO VIII) archiviata a cura di: / Procedimento de avaliação da conformidade: Módulo A Documentação técnica (ANEXO VIII) arquivada por: / Conformiteitsbeoordelingsprocedure: Module A Technische documentatie (BIJLAGE VIII) gearhiveerd door: / Förfarande för bedömning av överensstämmelse: Modul A Teknisk dokumentation (BILAGA VIII) arkiverad av: / Vaatimustenmukaisuusarviointimenetelmä: moduuli A Tekninen dokumentaatio (LIITE VIII) arkistoitu: / Procedura oceny zgodności: Modul A Dokumentacja technicznej (ZAŁĄCZNIK VIII) zarchiwizowane przez: / Postup posuzování shody: Modul A Technická dokumentace (PŘÍLOHA VIII) archivována: / Процедура оценки соответствия: Модуль A Техническая документация (ПРИЛОЖЕНИЕ VIII), архивированная: ISSeP Zoning A. Schweitzer Rue de la Platinerie B - 7340 COLFONTAINE BELGIQUE	

Dominique LAGOUGE  
 Directeur Général / Chief Executive Officer / Generaldirektor  
 / Director General / Direttore Generale / Director Geral / Algemeen  
 Directeur / Generaldirektör / Pääjohtaja / Dyrektor Naczelny  
 / Dyrektor Generalny / Generální ředitel / Генеральный директор

Fait à Stains, le / Established in Stains, on / Geschehen zu Stains, am / En Stains, a / Redatto a Stains, / Vastgesteld te Stains, / Utformat i Stains, den / Stains, Ranska, / Sporządzono w Stains, dnia / Stains, dnia / Издано в г. Стен (Stains) 12/05/2016 - 05/12/2016



# INSTALLATION AND SAFETY INSTRUCTIONS

## TRANSLATION OF THE ORIGINAL MANUAL

**IMPORTANT** : Before assembly and start-up, please read and clearly understand all the documents relating to this equipment (professional use only).

*THE PICTURES AND DRAWINGS ARE NON CONTRACTUAL. WE RESERVE THE RIGHT TO MAKE CHANGES WITHOUT PRIOR NOTICE.*

### **KREMLIN - REXSON**

150, avenue de Stalingrad

93 245 - STAINS CEDEX – France

☎ : 33 (0)1 49 40 25 25      Fax : 33 (0)1 48 26 07 16

**[www.kremlin-rexson.com](http://www.kremlin-rexson.com)**

# 1. SAFETY INSTRUCTIONS

## GENERAL SAFETY INSTRUCTIONS



**CAUTION :** The equipment can be dangerous if you do not follow our instructions concerning installation and servicing described in this manual and in accordance with applicable European standards and local national safety regulations.

Please carefully read all the instruction literature before operating your equipment.

**Only trained operators can use the equipment** (To acquire an essential training, please contact the "KREMLIN REXSON University" training center - Stains).

The foreman must ensure that the operator has understood the safety instructions for this equipment as well as the instructions in the manuals for the different parts and accessories.

Read carefully all instruction manuals, label markings before operating the equipment.



















Incorrect use may result in injury. This equipment is for professional use only. It must be used only for what it has been designed for. Never modify the equipment. The parts and accessories supplied must be regularly inspected. Defective or worn parts must be replaced.

**Guards (motor cover, coupling shields, connectors,...) have been designed for a safe use of the equipment.**  
**The manufacturer will not be held responsible for bodily injury or failure and / or property damage due to destruction, the overshadowing or the partial or total removal of the guards.**

**Never exceed the equipment components' maximum working pressure.**

Comply with regulations concerning safety, fire risks, electrical regulations in force in the country of final destination of the material. Use only products or solvent compatible with the parts in contact with the material (refer to data sheet of the material manufacturer).

## PICTOGRAMS

					
NIP HAZARD	WARNING MOVING ELEVATOR	WARNING MOVING PARTS	WARNING MOVING SHOVEL	DO NOT EXCEED THIS PRESSURE	HIGH PRESSURE HAZARD
					
RELIEF OR DRAIN VALVE	WARNING HOSE UNDER PRESSURE	WEAR GLASSES OBLIGATORY	WEAR OF GLOVES IS OBLIGATORY	PRODUCT VAPOR HAZARDS	WARNING HOT PARTS OR AREAS
					
ELECTRICAL HAZARD	WARNING FIRE HAZARDS	EXPLOSION HAZARDS	GROUNDING	WARNING (USER)	WARNING SERIOUS INJURIES

## FIRE - EXPLOSION - SPARKS - STATIC ELECTRICITY HAZARDS

A poor earth connection, inadequate ventilation, sparks or static electricity can cause an explosion or fire. to avoid these risks when using or servicing KREMLIN REXSON equipment, the following safety procedures must be followed :



- ensure a good earth connection and ground the parts to be handled i.e. solvents, materials, components and equipment,
- ensure adequate ventilation,
- keep working area clean and free from waste solvents, chemicals, or solid waste i.e. rags, paper and empty chemicals drums,
- never use electrical switches / power if in an atmosphere of volatile solvent vapour,
- stop working immediately in case of electrical arcs,
- never store chemicals and solvents in the working area.
- use paint whose flash point is the highest possible to prevent from any formation of gas and inflammable vapours (refer to materials' safety instructions),
- install a cover on the drums to reduce the diffusion of gas and vapours in the spraybooth.

## TOXIC PRODUCT HAZARDS

Toxic products or vapours can cause severe injury not only through contact with the body, but also if the products are ingested or inhaled. It is imperative :



- to know the material products and their risks,
- notified or hazardous materials must be stored in accordance with the regulations,
- the material must be stored in an appropriate container, never place materials in a container where there is a risk of spillage or leakage,
- a procedure must be applied for the safe disposal of waste material. It must comply with all prevailing regulations and legislations of the country where the equipment is to be used,
- protective clothing should always be worn in compliance with the material manufacturers' recommendations,
- depending on the application and chemical safety instructions, safety glasses, hearing protective earplug, gloves, foot wear, protective masks and possible breathing equipment should be worn to comply with the regulations (Refer to chapter "Safety equipment of KREMLIN selection guide).



### **CAUTION!**



It is forbidden to use material containing high concentrations of halogenated hydrocarbon solvents with **aluminium or zinc fillers** .Non-compliance with the instructions may cause explosion risk causing serious or fatal injury.

## EQUIPMENT REQUIREMENTS

**Guards (motor cover, coupling shields, connectors,...) have been designed for a safe use of the equipment.**

**The manufacturer will not be held responsible for bodily injury or failure and / or property damage due to destruction, the overshadowing or the partial or total removal of the guards.**

### **PUMP**



Before carrying out any work, it is imperative to read and clearly understand the disassembly and reassembly instructions before servicing. The operator must understand the equipment and the safety instructions. These instructions are available in the equipment manuals.



The air motor is designed to be mounted with a pump. Never modify any components or couplings. When operating, please keep hands away from moving parts. Before starting up the equipment, please read the PRESSURE RELIEF instructions. Please ensure that any relief or drain valves fitted are in good working order.

### **HOSES**

- Keep hoses out of circulation areas, moving parts or hot surfaces,
- Never expose product hoses to temperature higher than + 60°C / 140° F or lower than 0°C / 32° F,
- Never pull or use the hoses to move the equipment,
- Tighten all fittings as well as the hoses before operating the equipment,
- Check the hoses regularly; change them if they are damaged,
- Never exceed the working pressure (WP) indicated on the hose.

## USED PRODUCTS

Considering the wide variety of products that are available and can be used in our equipment it is impossible to check and make recommendations for all chemical data, regarding the risks of possible chemical attack and their long term chemical reaction

KREMLIN REXSON can not be held liable for :

- Compatibility of wetted parts,
- Risks to staff and the surroundings,
- for worn or defective parts, for faulty equipment or units, or the quality of final product.

It is the responsibility of the user to know and prevent any possible risks such as toxic vapours, fires or explosions. He shall determine the risks of immediate reactions or pursuant to repeated exposures of the staff,

KREMLIN REXSON shall not be liable for physical injuries, direct or indirect material damages caused by the use of chemicals.

## 2. HANDLING



### ***Check the weight and the dimensions of the equipment***

***( refer to 'Technical features' section of the instruction manual***

If weight and dimensions are too important, the unloading must be carried out by means of a forklift or any other appropriate means with a qualified personnel and in a clear horizontal area to prevent from risks of damage injury or an accident.

The centre of gravity is not in the centre of the machine : carry out by hand a stability-test after having lifted the whole at 10 cm / 3.937" maximum.

After the unloading, the handling of the whole (eg: elevator pump) is carried out by means of a pallet truck taking the bottom part of the frame.

**Remark : Each pump motor is fitted with a ring. The ring is designed for the hoisting of one pump and can not be used for the handling of the complete machine.**

## 3. STORING

Storing before installation :

- Storing ambient temperature : 0 / +50 °C / 0 / +122°F
- Protect the whole against dust, water trickling, dampness and shocks.

Storing after installation :

- Operating temperature : +15 / +35 °C / +59 / +138.2° F
- Protect the whole against dust, water trickling, dampness and shocks.

## 4. INSTALLATION OF THE EQUIPMENT

The machine is installed on a stable horizontal floor (for eg a concrete flag).



**To avoid risks caused by static electricity, the equipment as well as its components must be grounded.**

- **For the pumping equipments** (pumps, pneumatic rams, frame...), a section wire of 2.5 mm<sup>2</sup> is fixed on the material. Use this wire to connect the material to "the general ground". In case of severe environments (mechanical protection of the wire of earthing insufficient, vibrations, mobile material...) where function damages at the ground are probable, the user have to replace the provided wire of 2.5 mm<sup>2</sup> by a device more adapted to its environment (wire with a more important section, bonding strip, fixing by thimble with eyelet...),

The continuity of the ground must be controlled by a qualified electrician. If the continuity of the ground is not ensured, check the terminal, the wire and the earthing point. **Never** use the material without have solved this problem.

- In the severe cases of environments (mechanical protection of the wire of earthing insufficient, vibrations, mobile material...) where damages of the function put at the ground are probable, the user will have to replace the wire of 2.5 mm<sup>2</sup> provided, by a device more adapted to its environment (wire of more important section, bonding strip, fixing by thimble with eyelet...),
- **The gun** must be 'grounded' via a material hose or an air hose. In case of spraying by means of a gun with cup, the air hose must be conductive,
- **The materials to be painted** must also be grounded.

**All the materials situated in the working area shall be grounded.**





- **Never store** more than necessary inflammable materials inside the working area,
- The materials must be stored into **approved drums** and grounded,
- Use only grounded **metals containers** for the use of cleaning solvents,
- **Cardboard and paper are prohibited.**

## 5. MARKING OF THE EQUIPMENT

Each equipment has a marking plate.

The plate consists of the name of the manufacturer, the equipment part number and important information for correct use of the equipment (air pressure, electric power,...).

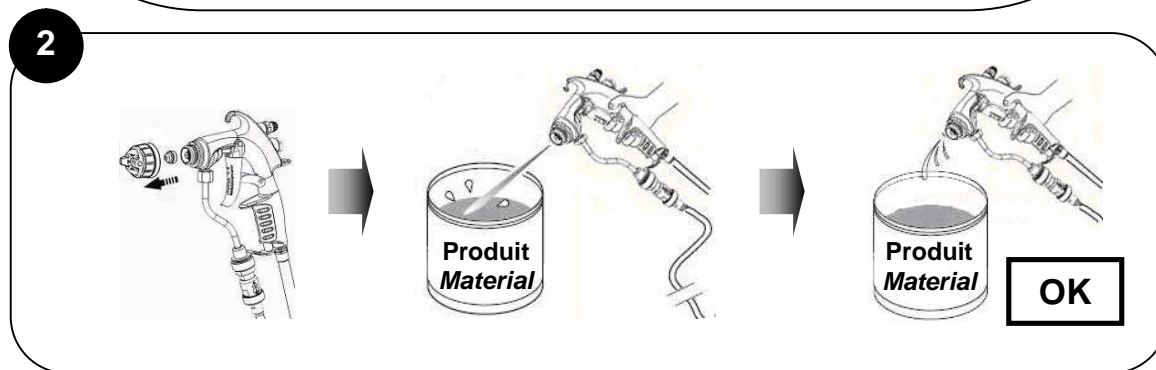
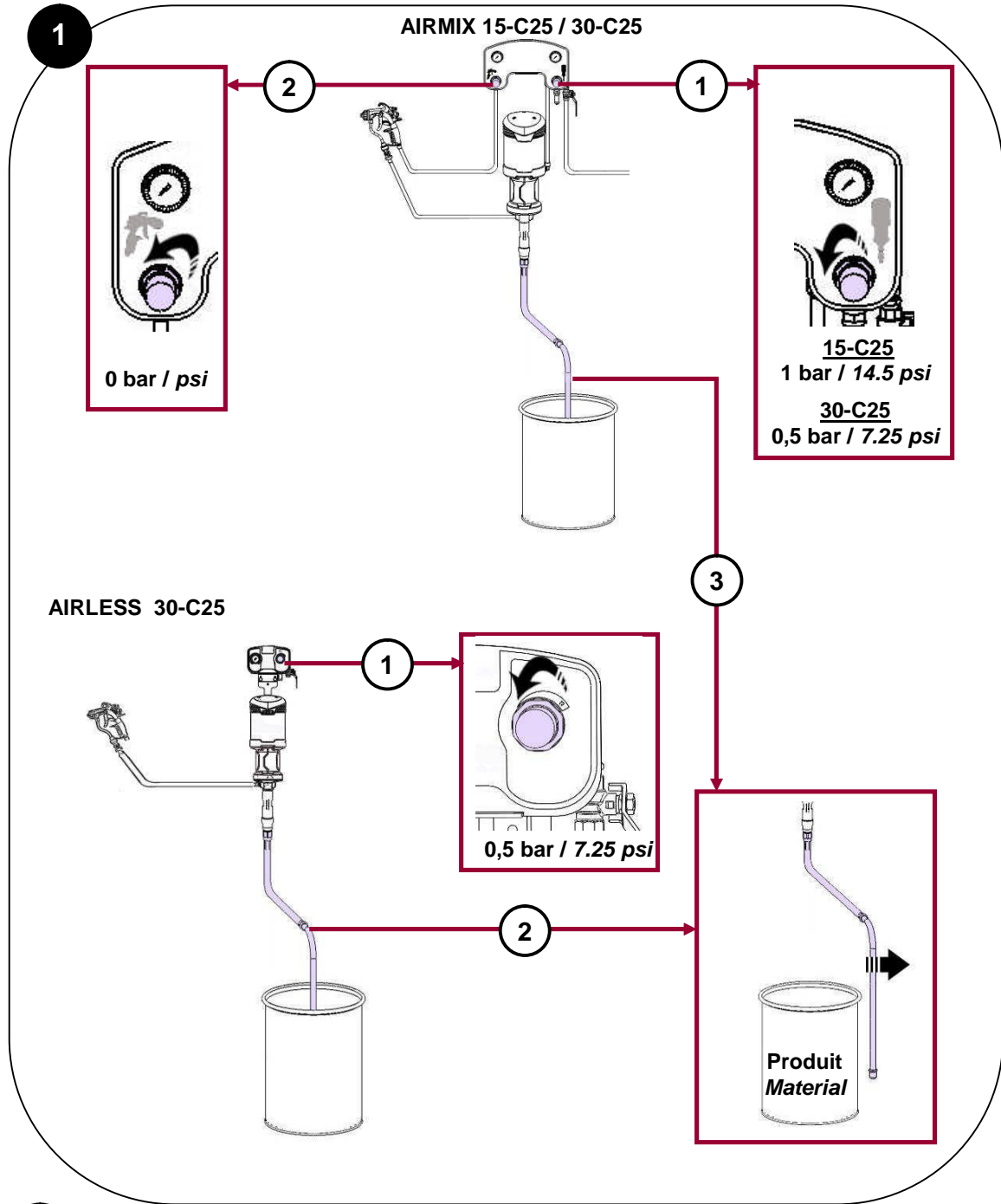


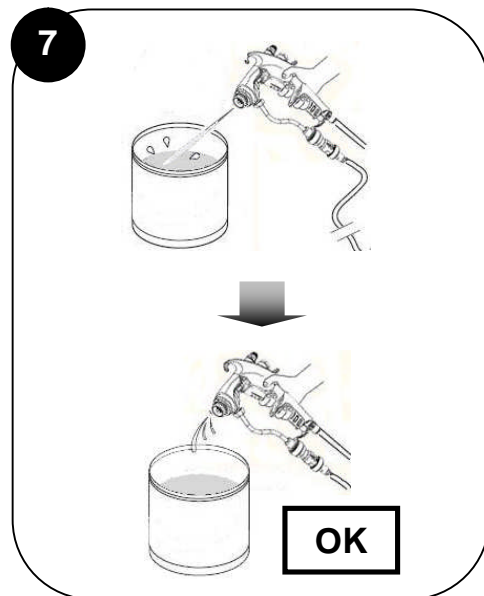
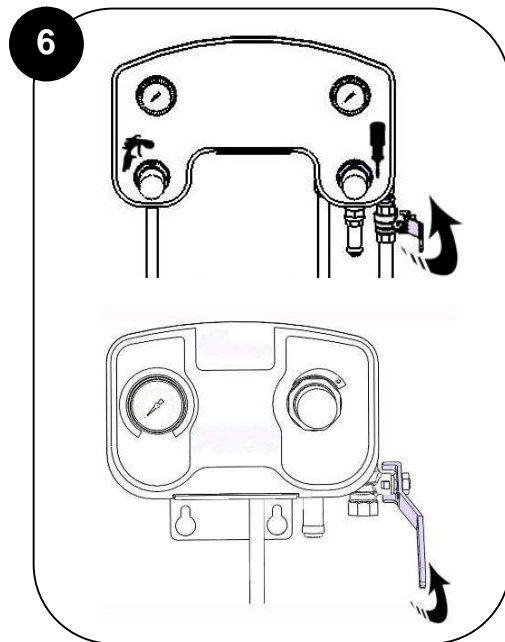
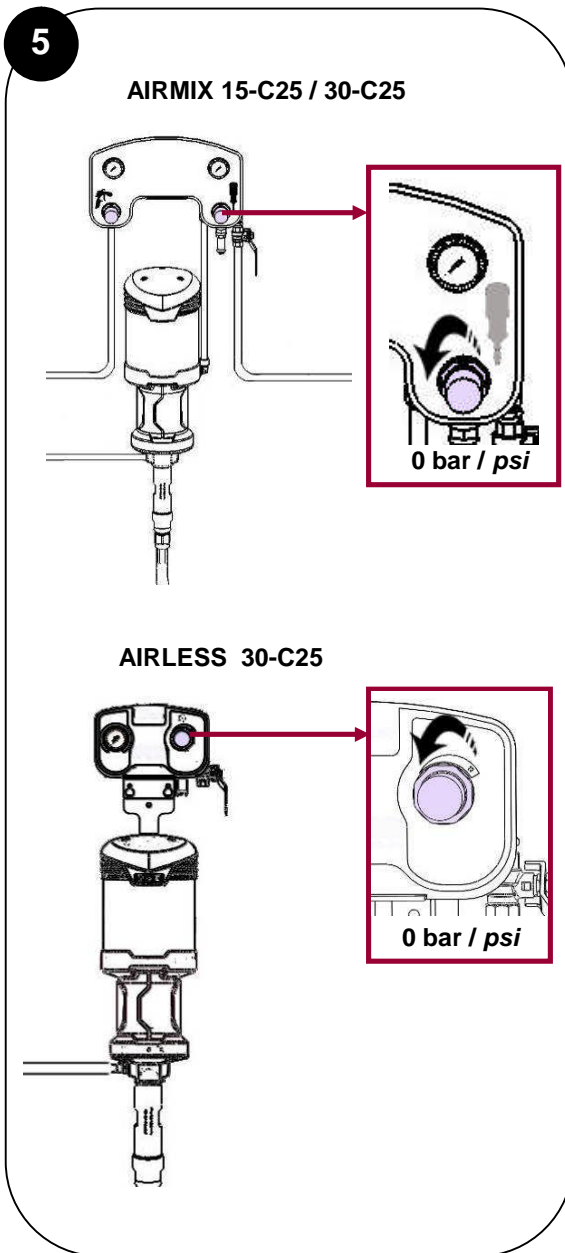
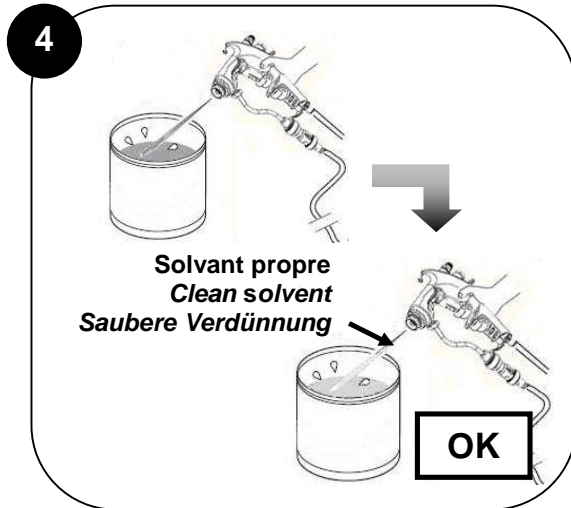
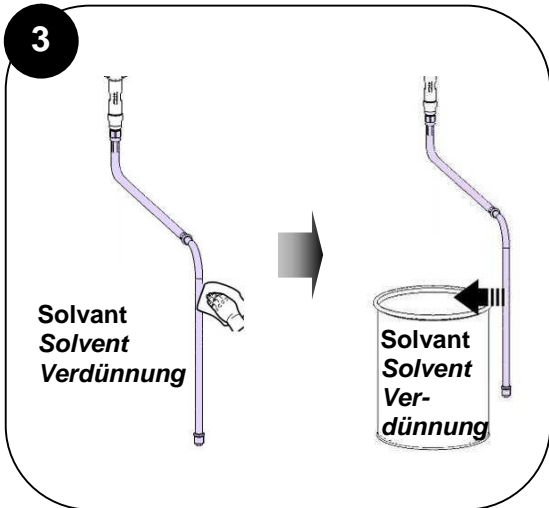
**DEMONTAGE / REMONTAGE  
DISASSEMBLY / REASSEMBLY  
DEMONTAGE / MONTAGE  
DESMONTAJE / MONTAJE**

**POMPES / PUMPS / PUMPE / BOMBA  
EOS 15-C25 & EOS 30-C25**

NOTICE ORIGINALE  
/ TRANSLATION FROM THE ORIGINAL MANUAL  
/ ÜBERSETZUNG DER ORIGINAL BETRIEBSANLEITUNG  
/ TRADUCCIÓN DEL LIBRO ORIGINAL

**La pompe est soumise à la directive ATEX et ne doit en aucun cas être modifiée.  
Le non-respect de cette préconisation ne saurait engager notre responsabilité.  
/ The pump is manufactured under the ATEX agreement and can not be modified.  
KREMLIN REXSON will not be held responsible for any failure to comply with that  
instruction.  
/ Diese Pumpe hat die ATEX Zulassung, deswegen darf sie nie verändert werden. Bei  
Nichtbeachtung dieser Anordnung, können wir keine Verantwortung für eine  
einwandfreie, regelkonforme Funktion der Pumpe übernehmen.  
/ La bomba es de conformidad a la directiva ATEX y no debe ser modificada, en ningún  
caso. KREMLIN REXSON no se hace responsable de que esta preconización no sea  
respetada.**





AIRMIX 15-C25 / 30-C25

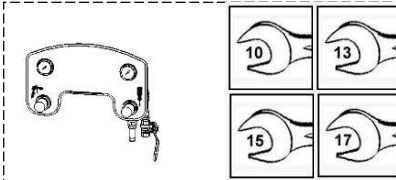
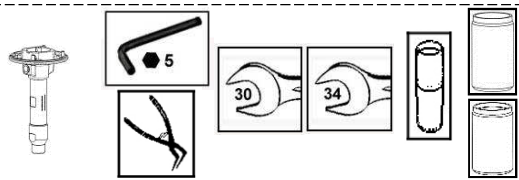
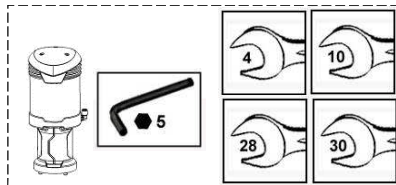
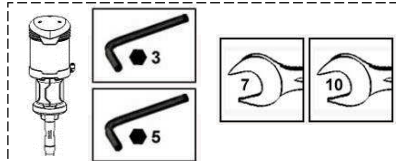
Voir / Refer to  
Siehe / Consultar  
p. 21 → 24



Arrivée d'air / Air inlet  
Lufteingang / Entrada aire

Voir / Refer to  
Siehe / Consultar  
p. 7 → 20

***Vous aurez besoin de / You need  
Werkzeugaufstellung / Vd necesita***



Voir / Refer to  
Siehe / Consultar  
p. 28

**AIRLESS 30-C25**

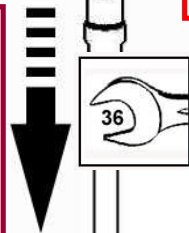
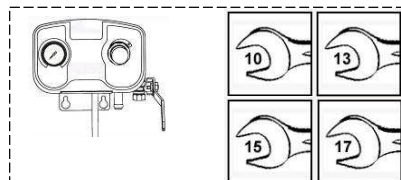
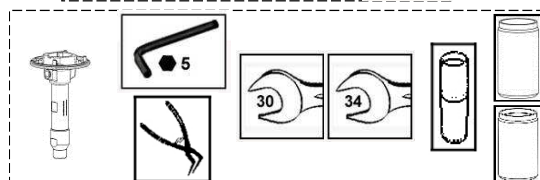
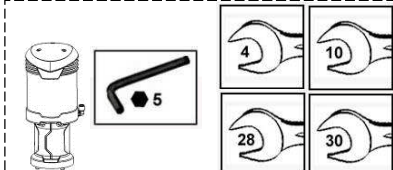
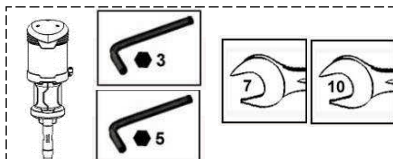
**Voir / Refer to  
Siehe / Consultar  
p. 25 → 27**



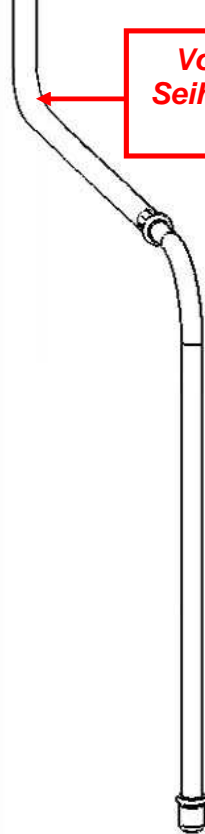
**Arrivée d'air / Air inlet  
Lufteingang / Entrada aire**

**Voir / Refer to  
Siehe / Consultar  
p. 7 → 20**

**Vous aurez besoin de / you need  
Werkzeugaufstellung / Vd necesita**

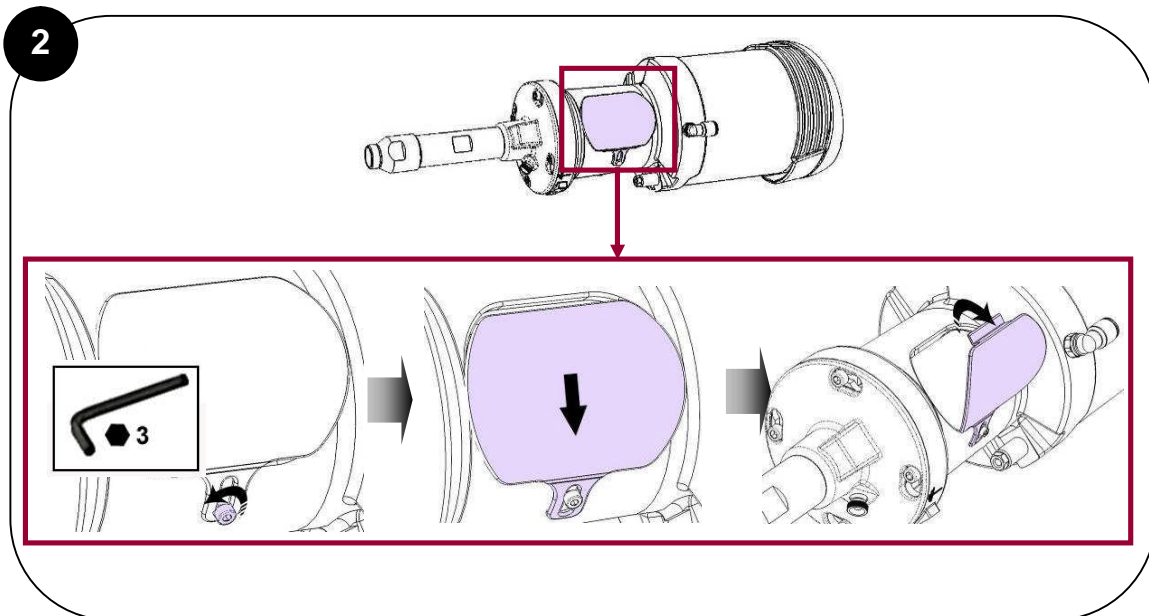
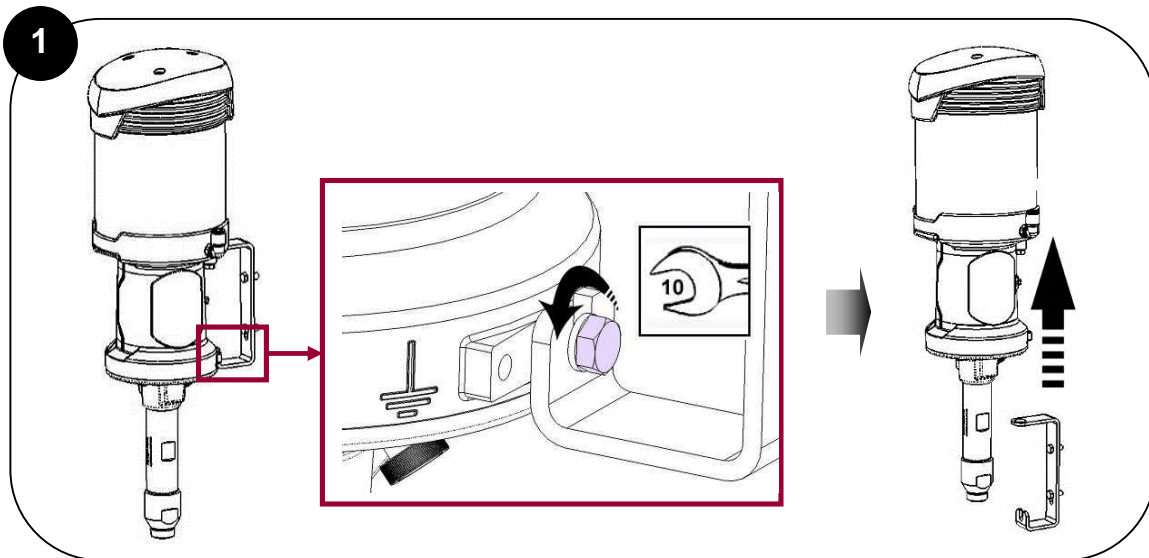
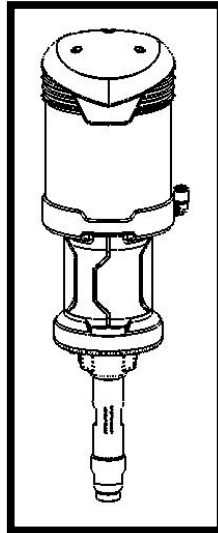


**Voir / Refer to  
Siehe / Consultar  
p. 28**



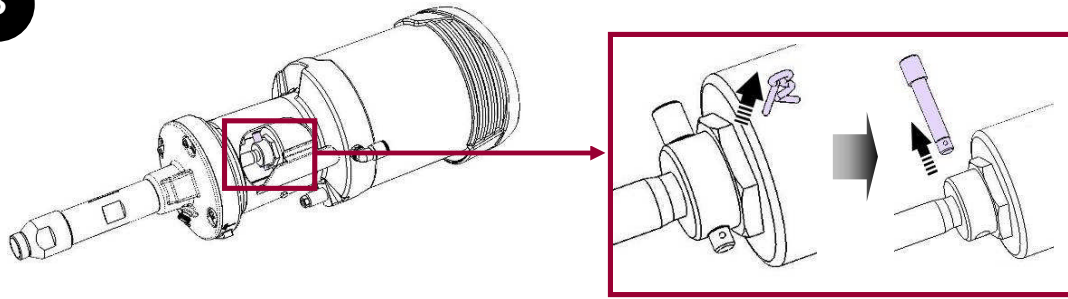
**Graisses et colles / Greases and adhesives  
/ Fette und Kleber / Grasas y colas**

<b>Repère / Index / Pos. / Índice</b>	<b>Instructions / Montage-Hinweis / Instrucciones</b>	<b>Désignation / Description / Bezeichnung / Descripción</b>	<b>Référence / Part number / Artikel-Nr. / Referencia</b>
<b>A 1</b>	Graisse PTFE	Tube de graisse "TECHNILUB" (10 ml)	560.440.101
	PTFE grease	PTFE grease (10 ml / 0.0026 US gal)	
	PTFE-Fett	PTFE Fett (10 ml)	
	Grasa PTFE	Tubo de grasa "TECHNILUB" (10 ml)	
<b>A 2</b>	Graisse anti-seize	Boîte de graisse (450 g)	560.420.005
	Anti-seize grease	Grease box (450 g / 0.99 lb)	
	Grafit Fett	Grafit Fett (450 g Dose)	
	Grasa anti-seize	Caja de grasa anti-seize (450 g)	
<b>C 1</b>	Colle Anaérobie Tube étanche	Loctite 577 (250 ml)	554.180.015
	Medium strength Aneorobic Pipe sealant	Loctite 577 (250 ml / 0.066 US gal)	
	Mittelfester anaerober Kleber	Loctite 577 (250 ml)	
	Cola PTFE (para la estanqueidad)	Loctite 577 (250 ml)	
<b>C 2</b>	Colle Anaérobie frein filet faible	Loctite 222 (50 ml)	554.180.010
	Low strength - Anaerobic Adhesive	Loctite 222 (50 ml / 0.013 US gal)	
	Niedrigfester anaerober Kleber	Loctite 222 (50 ml)	
	Cola freno suave	Loctite 222 (50 ml)	

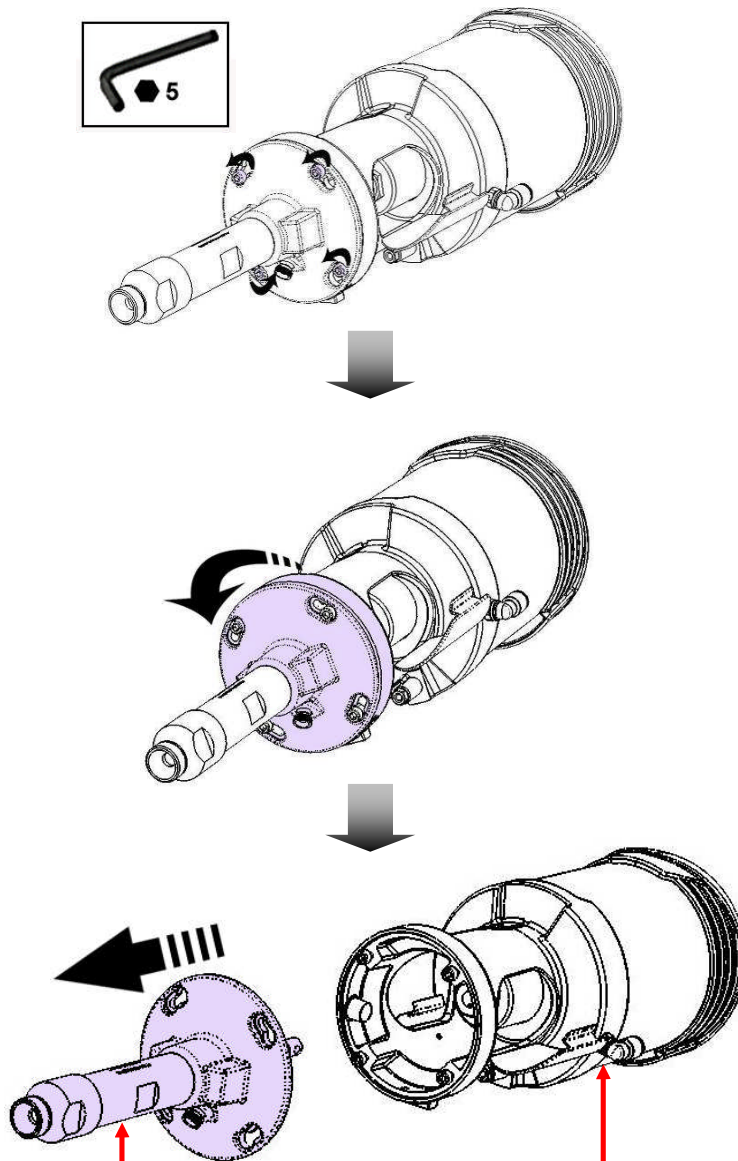




3

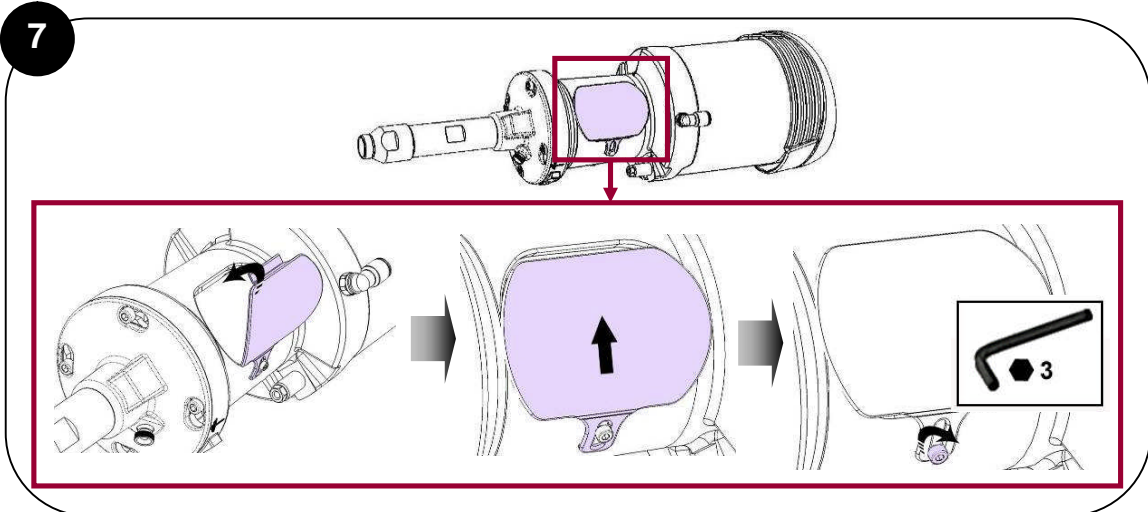
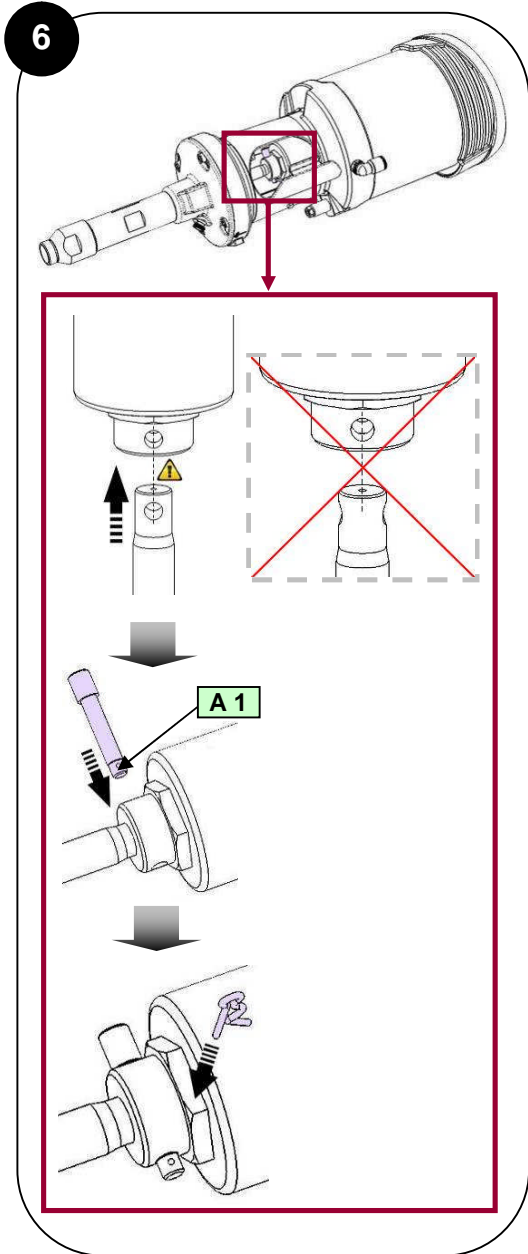
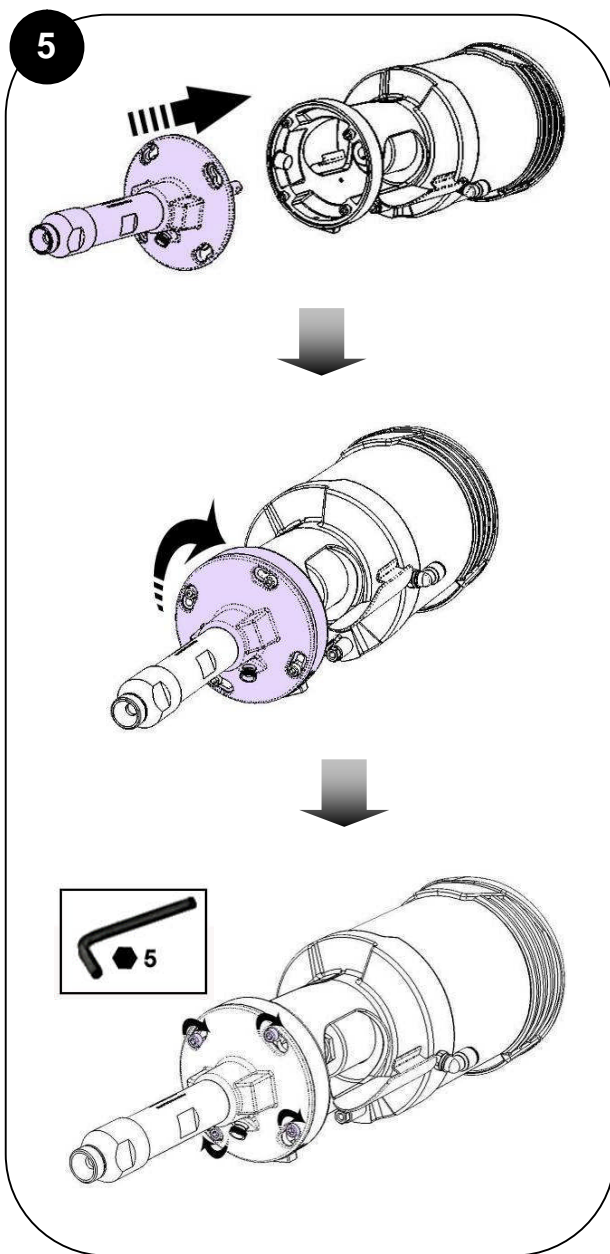


4

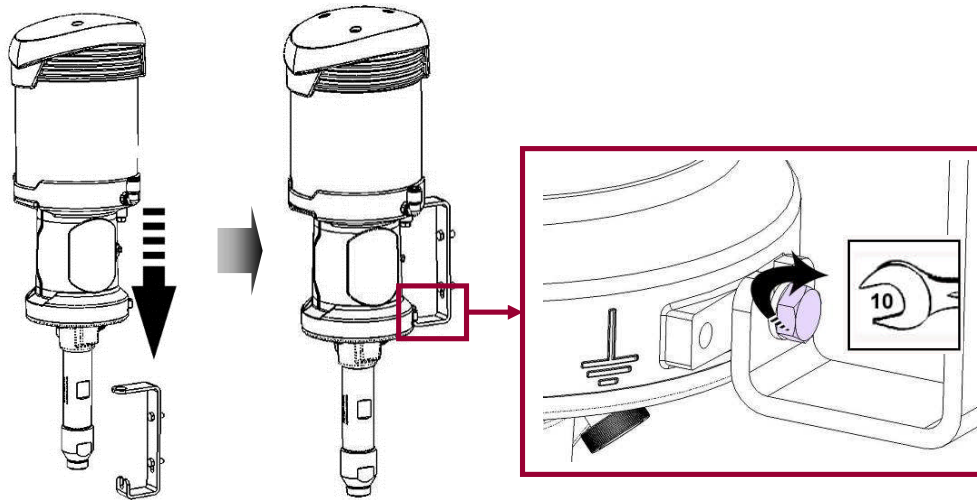


*Voir / Refer to  
Siehe / Consultar  
p. 17 → 20*

*Voir / Refer to  
Siehe / Consultar  
p. 11 → 16*



8



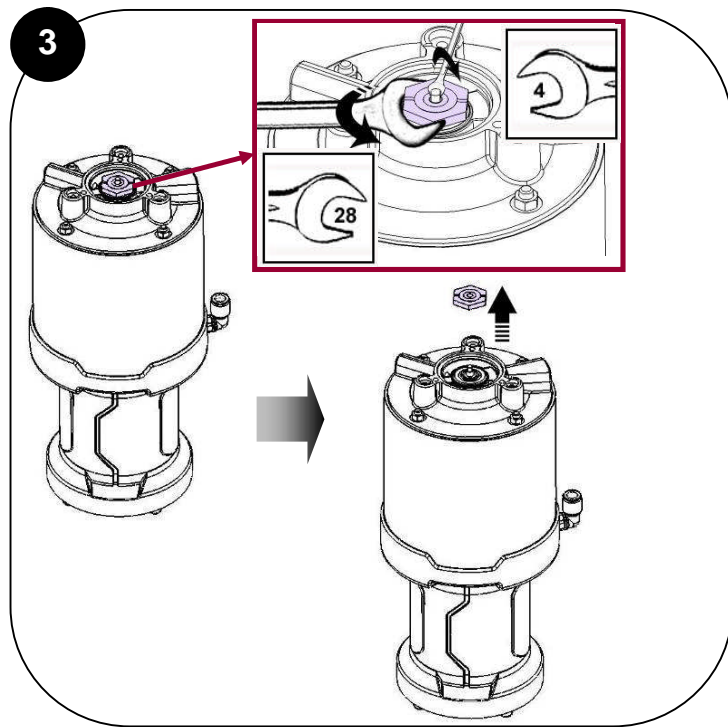
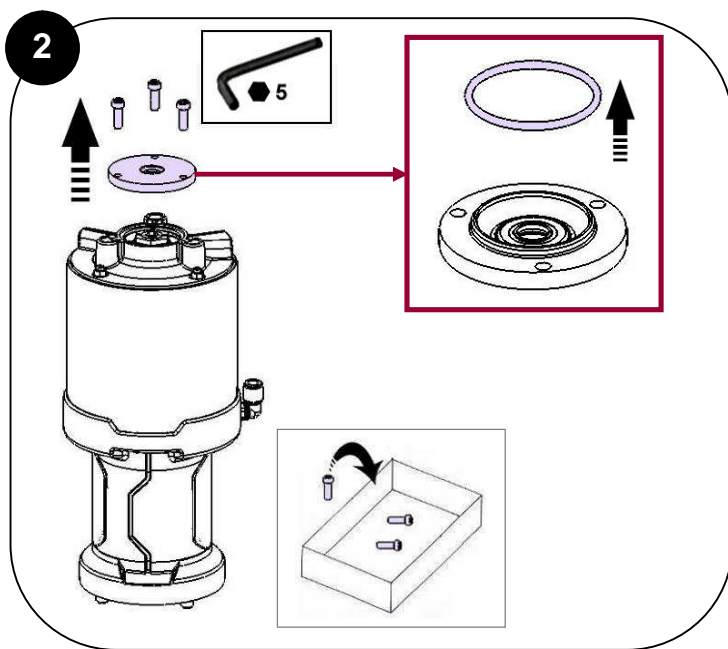
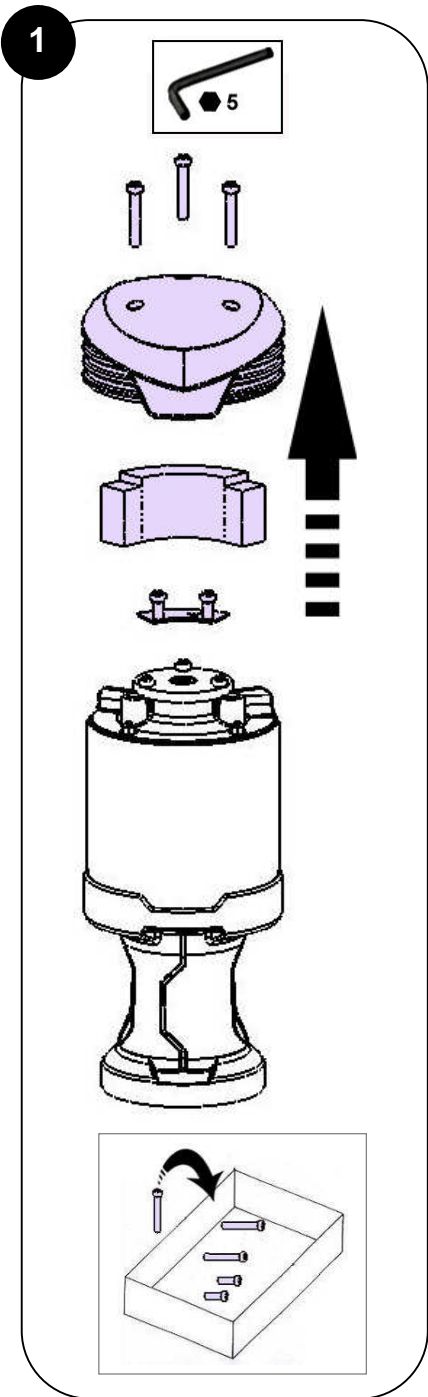
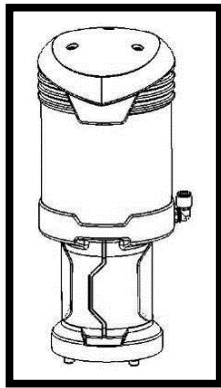
Des protecteurs (capot moteur, protecteur d'accouplement, carters,...) sont mis en place pour une utilisation sûre du matériel.

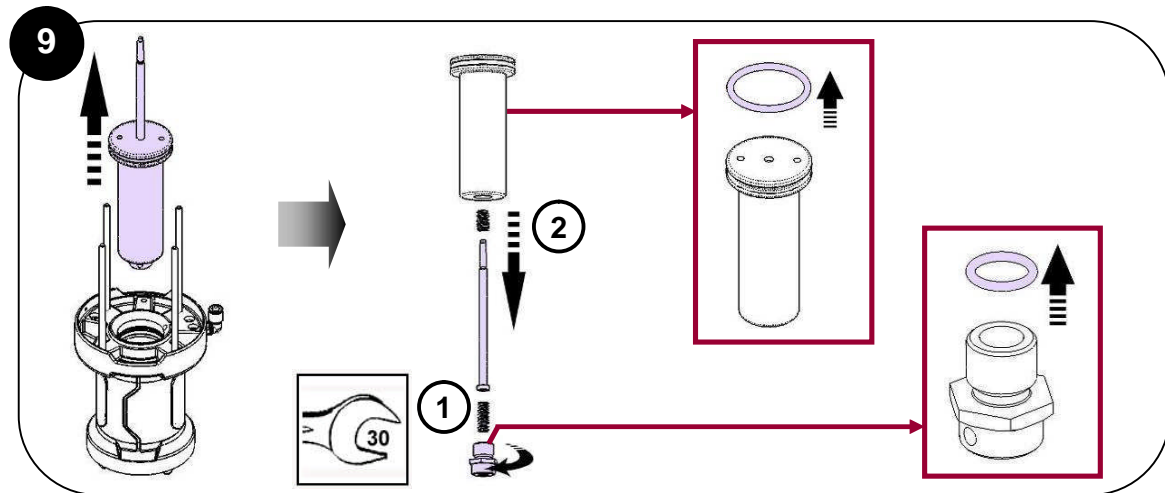
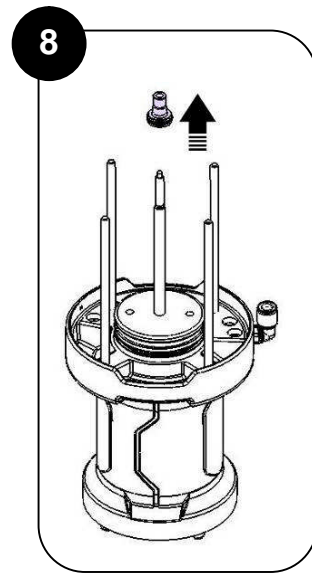
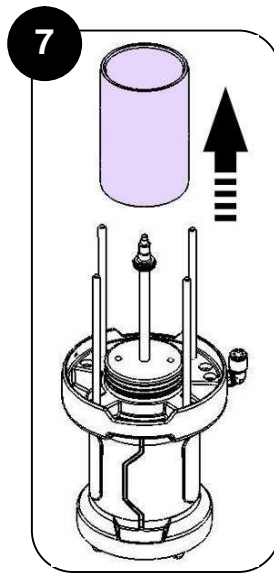
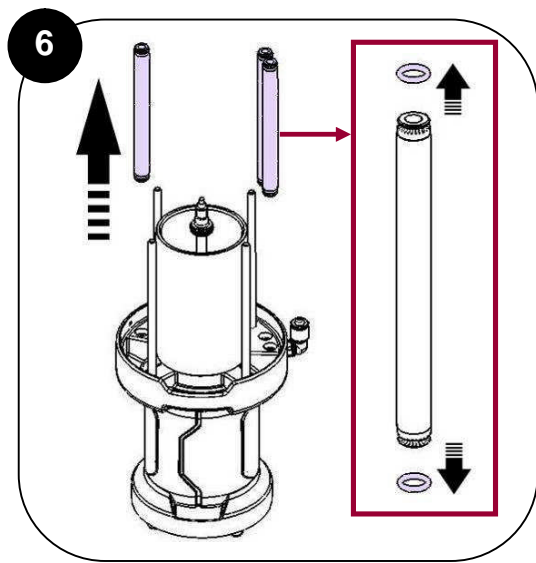
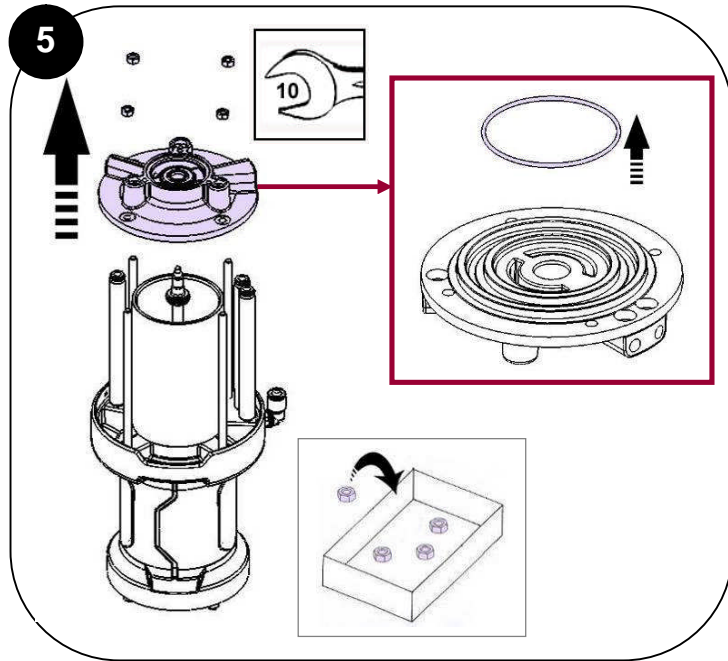
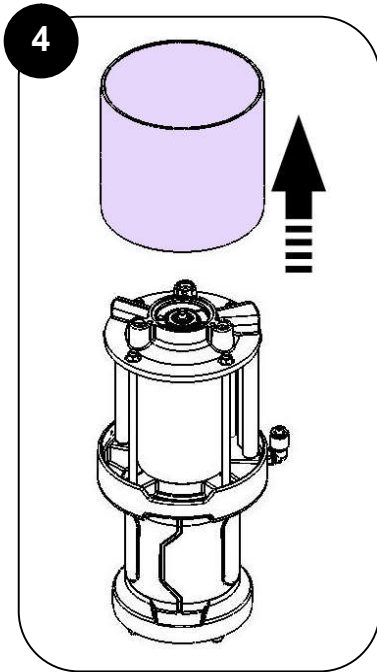
Le fabricant ne peut être tenu pour responsable en cas de dommages corporels ainsi que des pannes et / ou endommagement du matériel résultant de la destruction, de l'occultation ou du retrait total ou partiel des protecteurs.

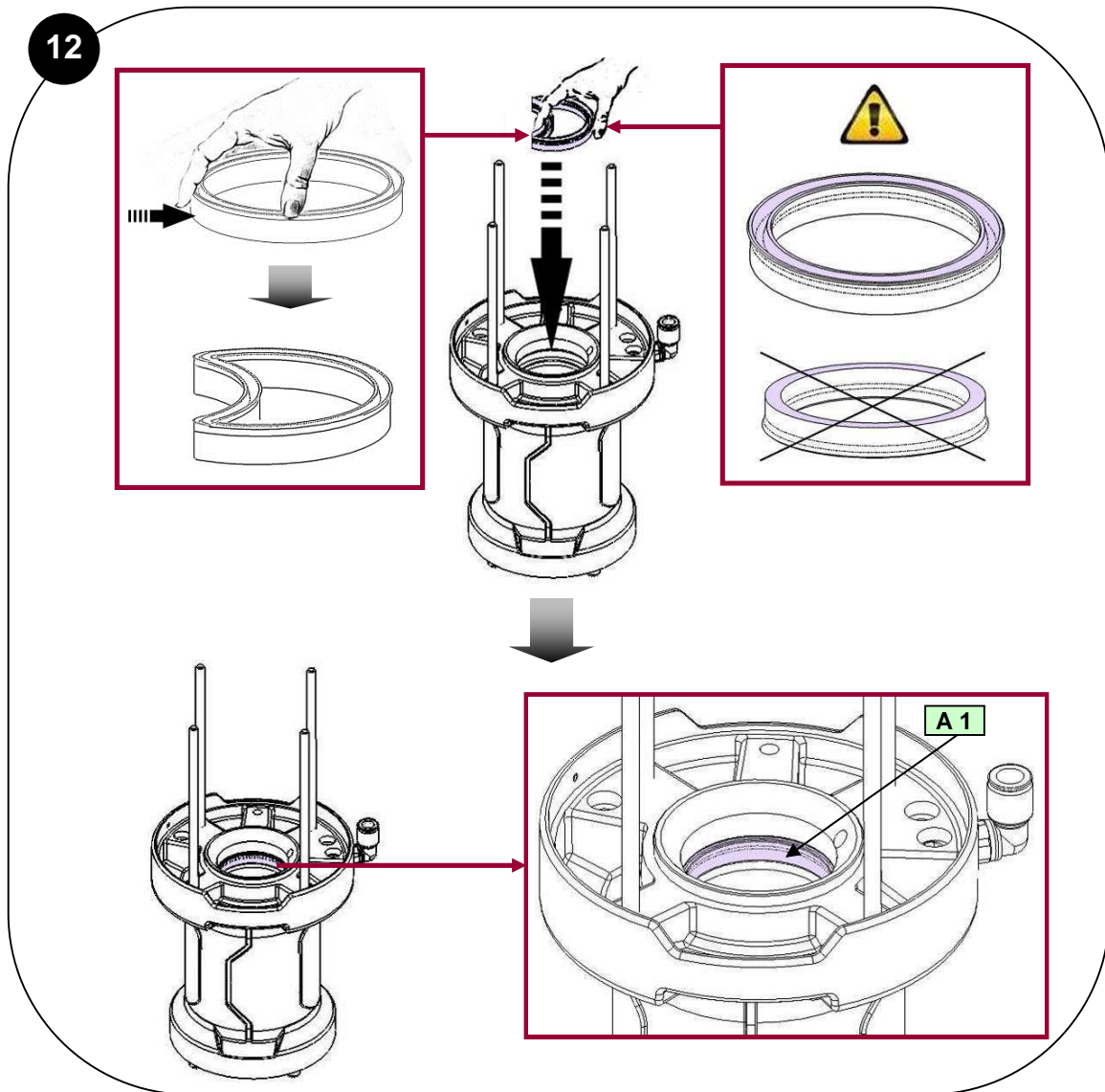
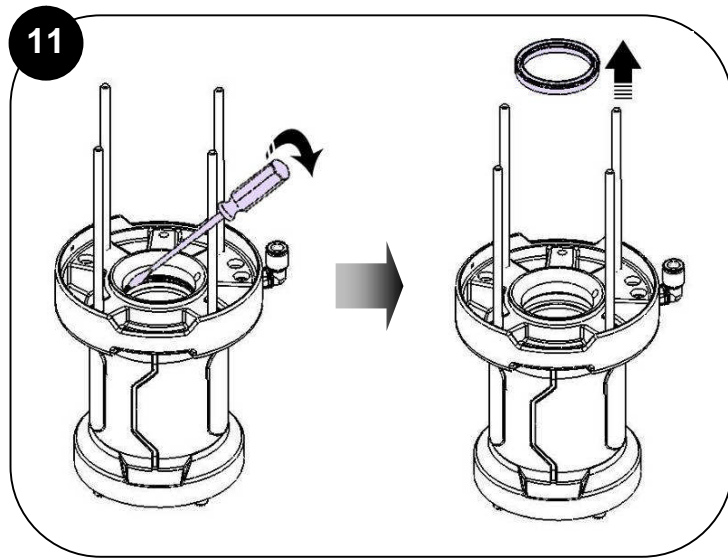
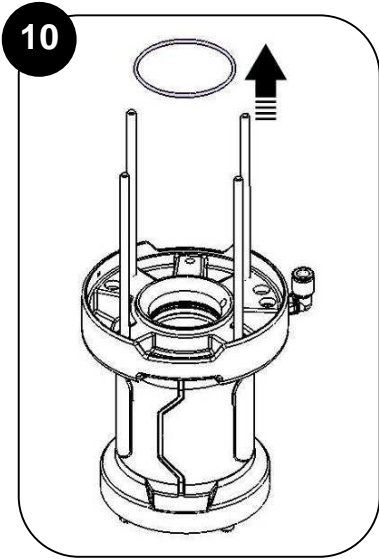
/ Guards (air motor cover, coupling shields, housings ...) have been designed for safe use of the equipment. The manufacturer will not be held responsible for bodily injury or failure and / or damage to property due to removal or partial removal of the guards.

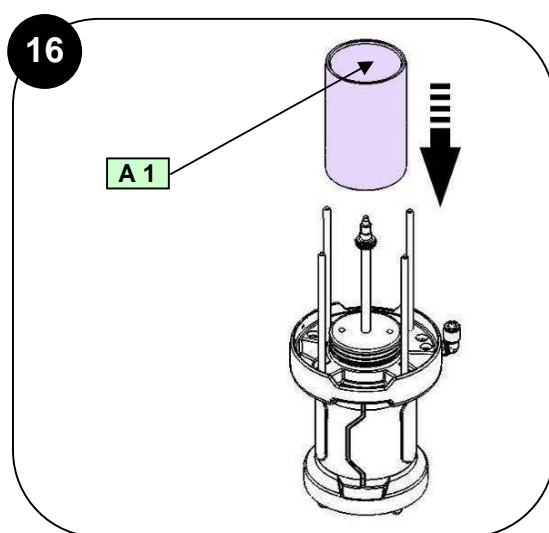
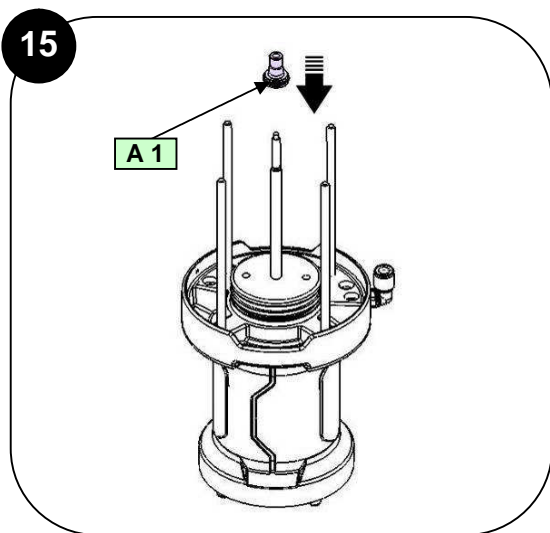
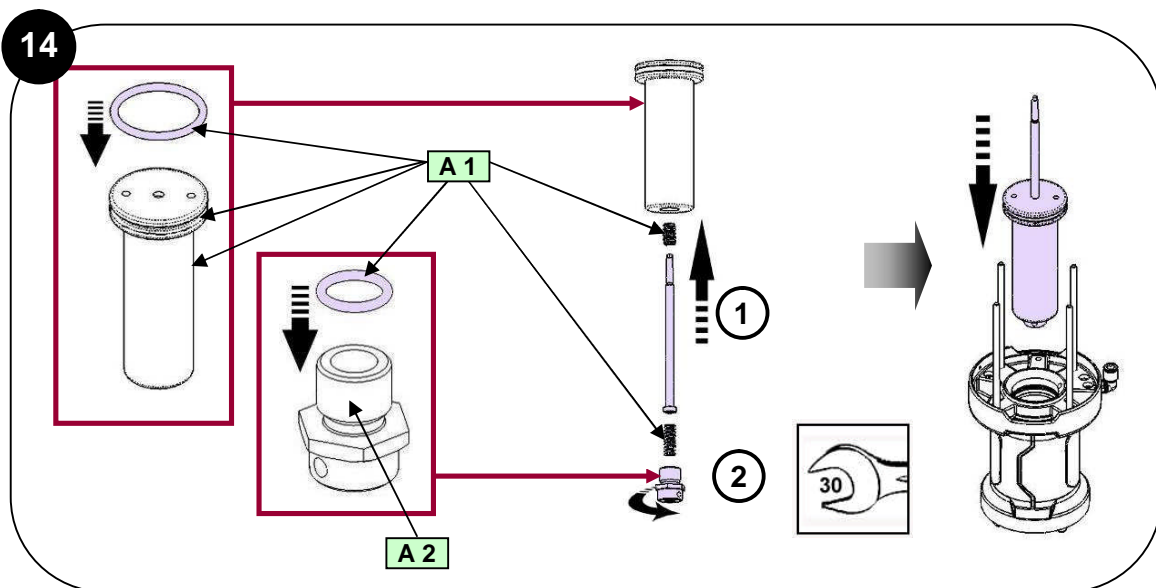
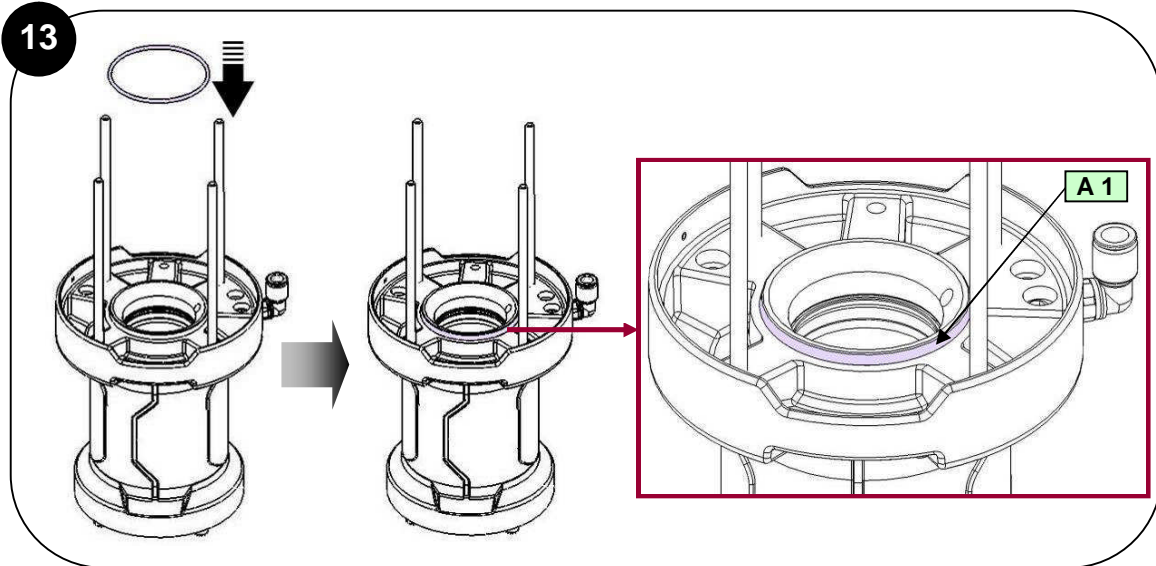
/ Schutzvorrichtungen an diesem Gerät, wie Motorhaube, Kupplungsschutz, Gehäuse, ggf. Erdungskabel, sowie weitere Vorrichtungen, wurden für eine sichere Benutzung dieses Gerätes entwickelt und angebracht. Der Hersteller lehnt jede Verantwortung für Körperschäden, Fehlfunktionen, Beschädigung der Geräte und jegliche andere Fehler ab, die durch die ganze oder teilweise Entfernung, Modifikation oder unsachgemäße Handhabung der Schutzvorrichtungen oder anderer Geräteteile entstehen.

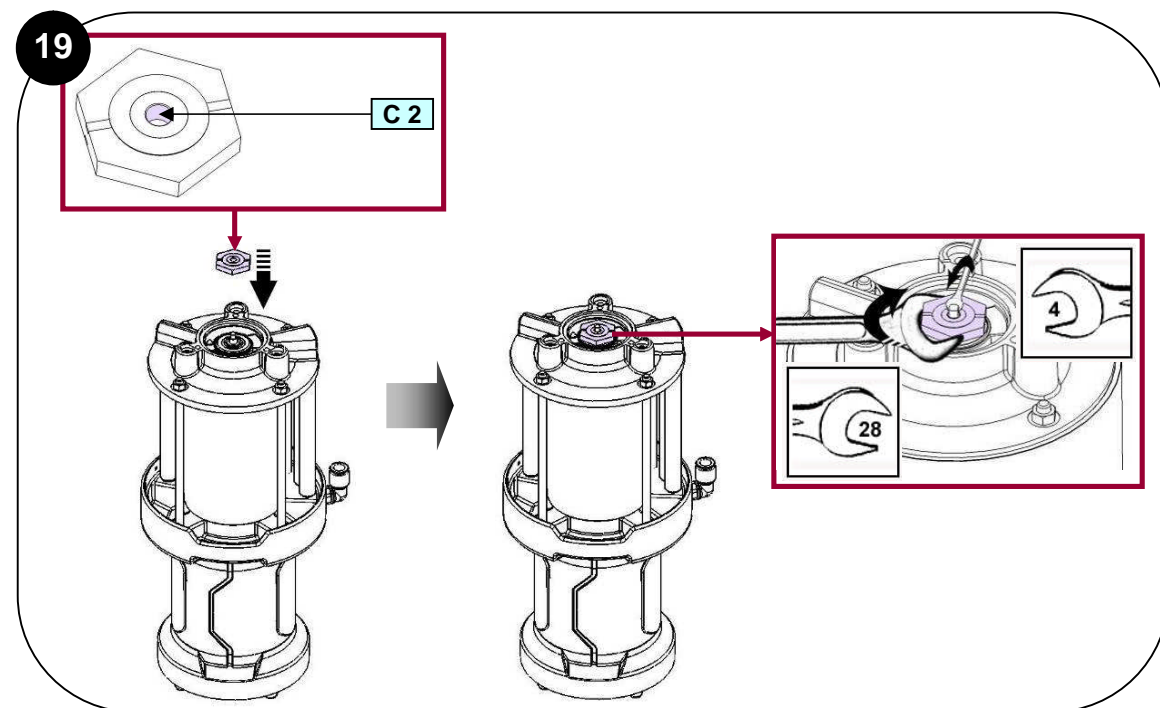
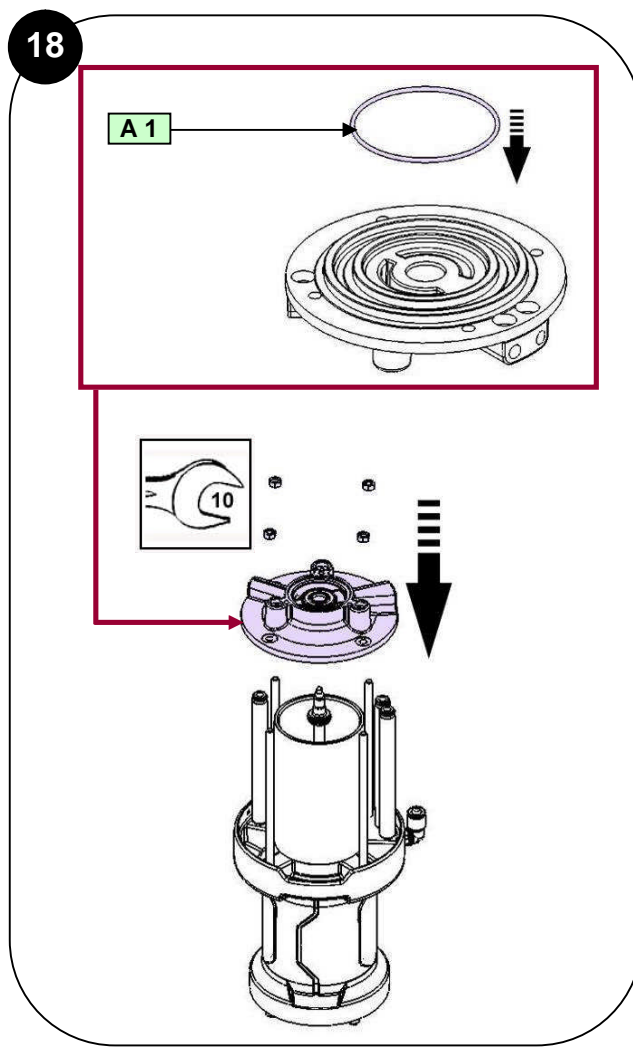
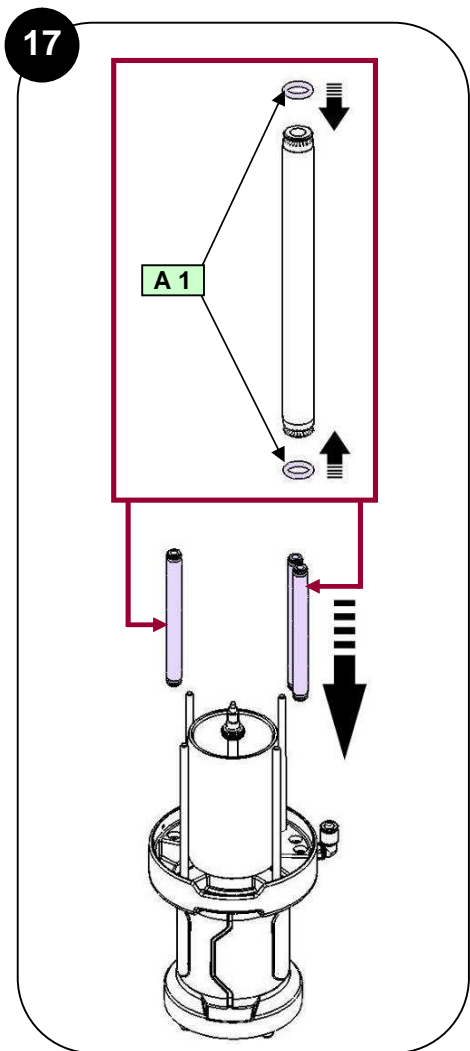
/ Protectores (capó motor, protector de acoplamiento, cárteres,...) se colocan para una utilización segura del material. El fabricante no se hace responsable, en caso de daños y / o daños del material, resultantes de la destrucción, la ocultación o la retirada total o parcial de los protectores.



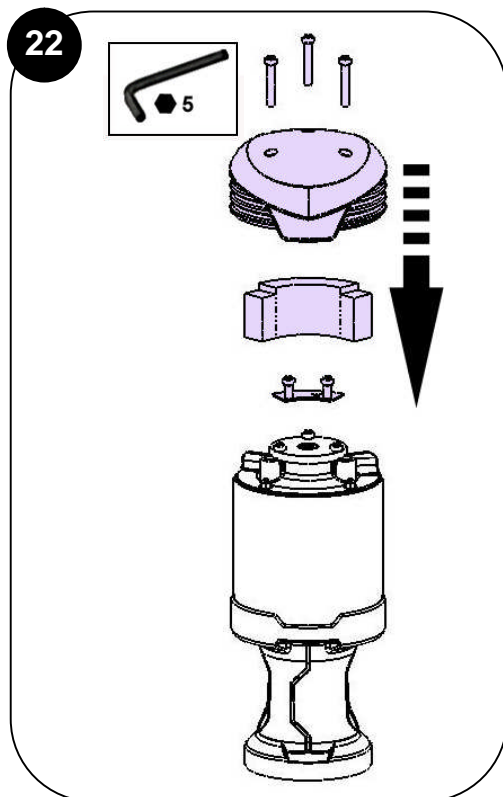
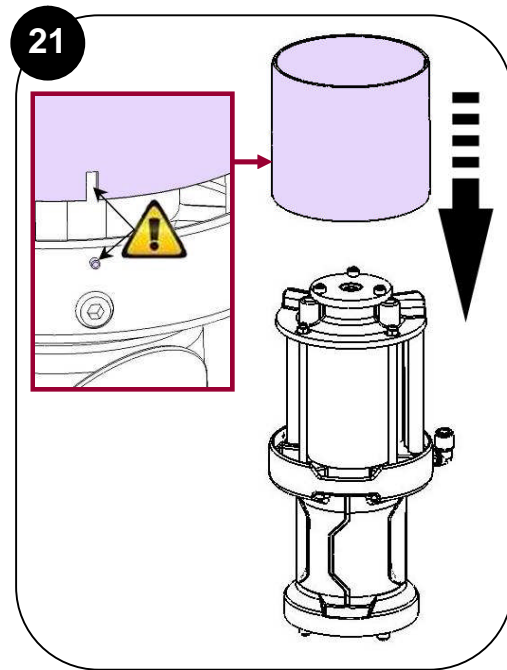
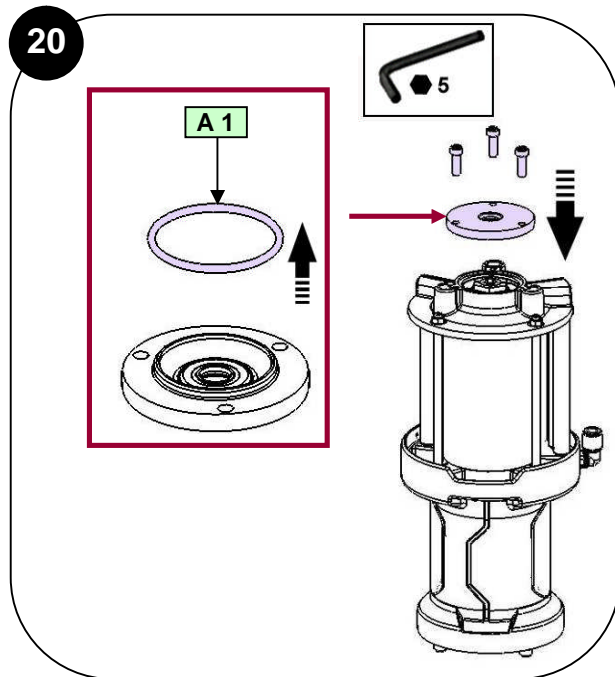












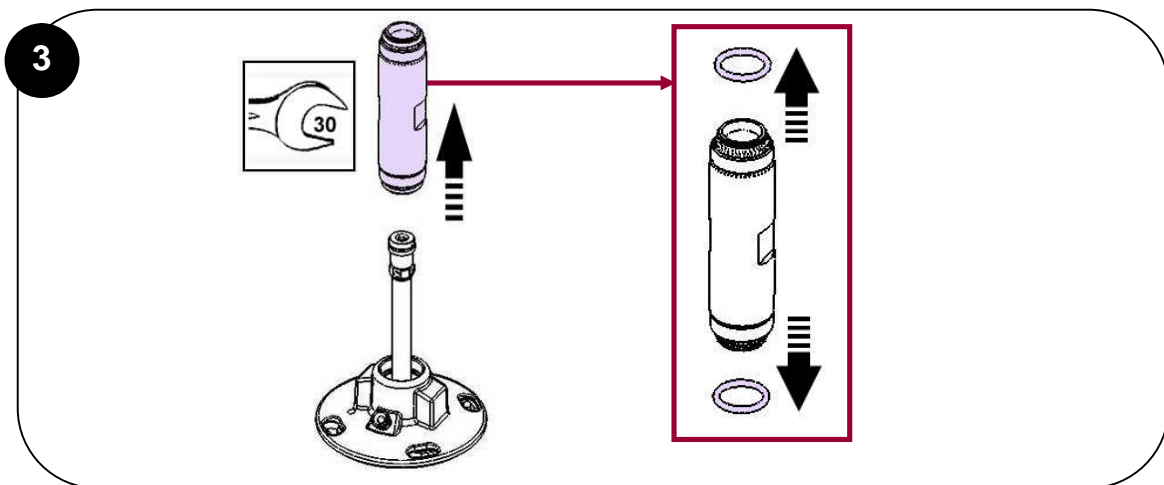
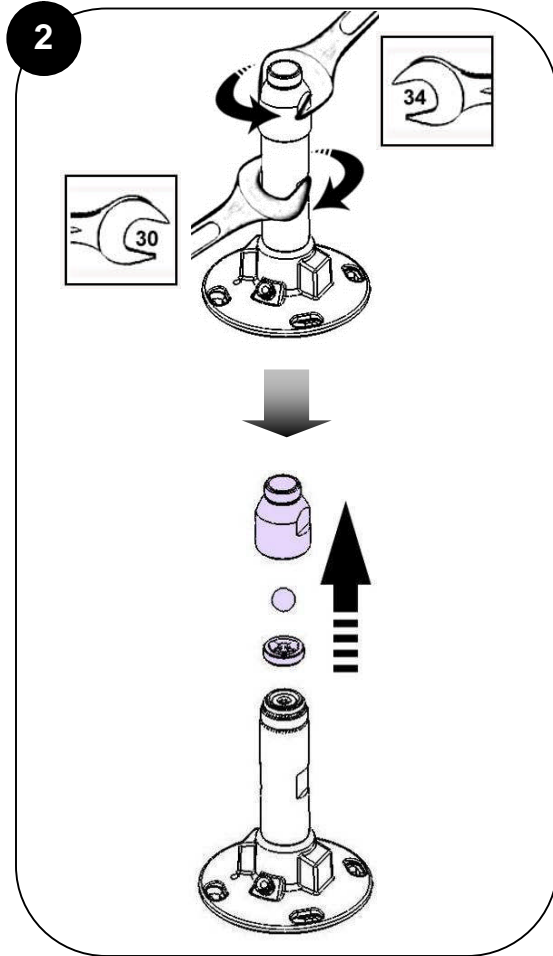
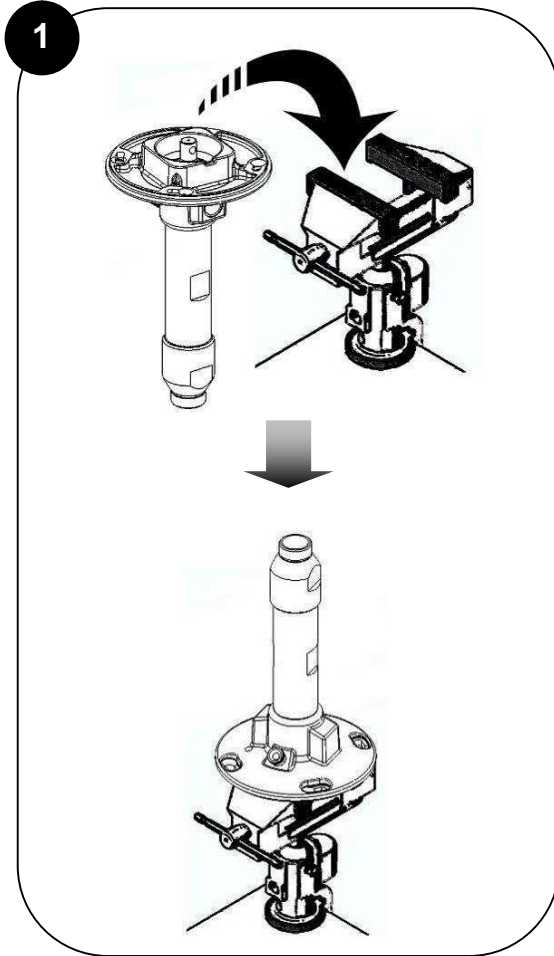
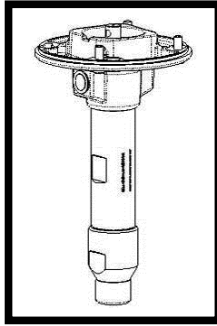
**Des protecteurs (capot moteur, protecteur d'accouplement, carters,...) sont mis en place pour une utilisation sûre du matériel.**

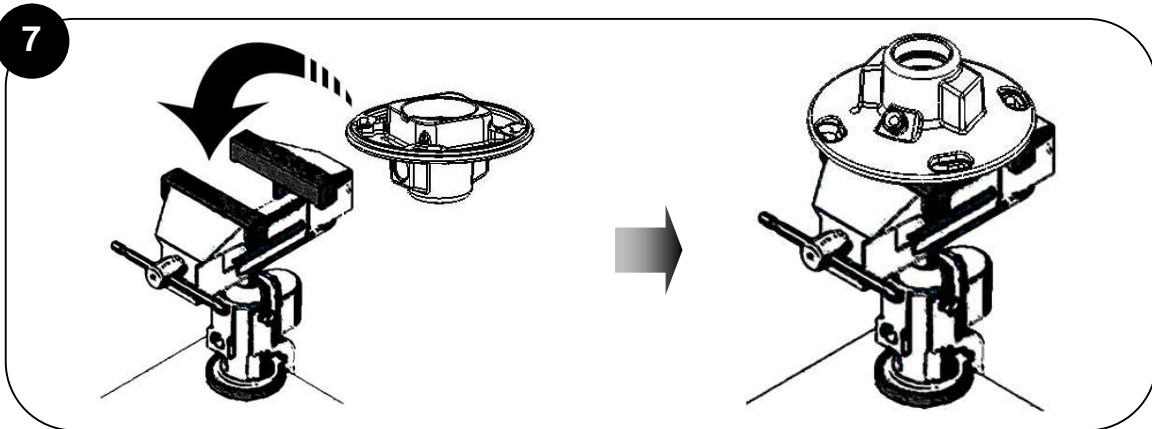
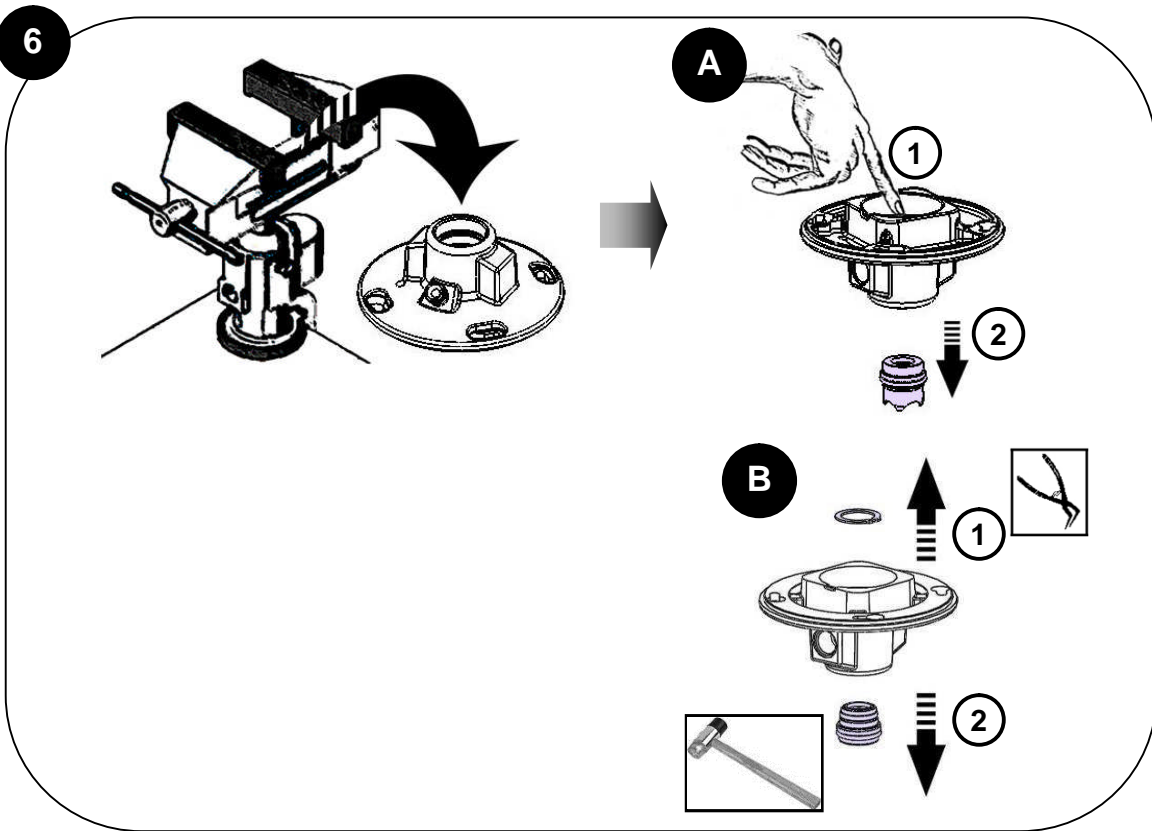
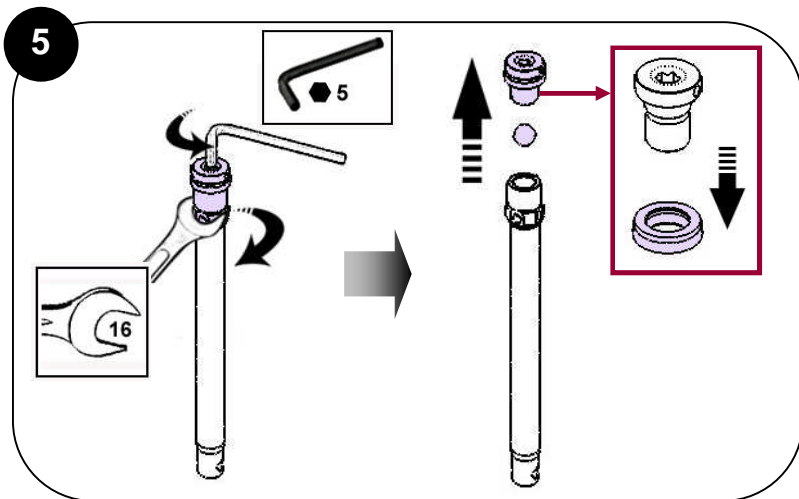
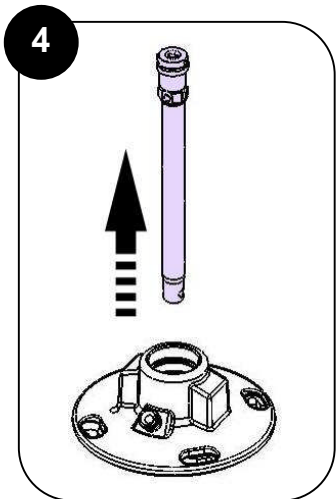
**Le fabricant ne peut être tenu pour responsable en cas de dommages corporels ainsi que des pannes et / ou endommagement du matériel résultant de la destruction, de l'occultation ou du retrait total ou partiel des protecteurs.**

**/ Guards (air motor cover, coupling shields, housings ...) have been designed for safe use of the equipment. The manufacturer will not be held responsible for bodily injury or failure and / or damage to property due to the removal or partial removal of the guards.**

**/ Schutzvorrichtungen an diesem Gerät, wie Motorhaube, Kupplungsschutz, Gehäuse, ggf. Erdungskabel, sowie weitere Vorrichtungen, wurden für eine sichere Benutzung dieses Gerätes entwickelt und angebracht. Der Hersteller lehnt jede Verantwortung für Körperschäden, Fehlfunktionen, Beschädigung der Geräte und jegliche andere Fehler ab, die durch die ganze oder teilweise Entfernung, Modifikation oder unsachgemäße Handhabung der Schutzvorrichtungen oder anderer Geräteteile entstehen.**

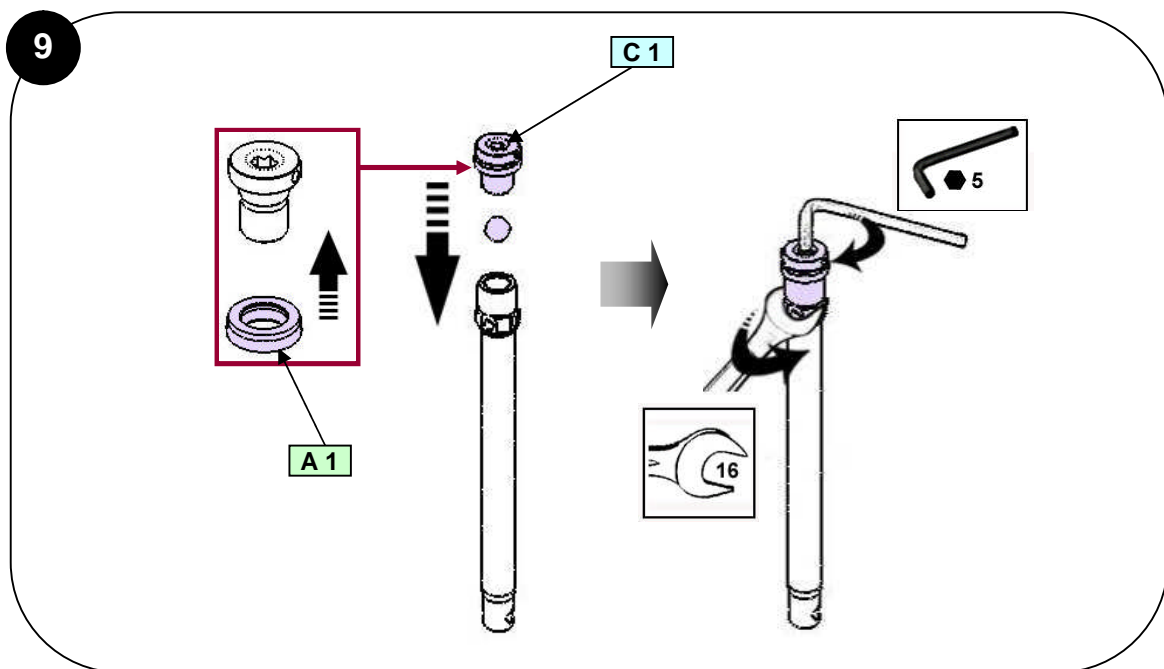
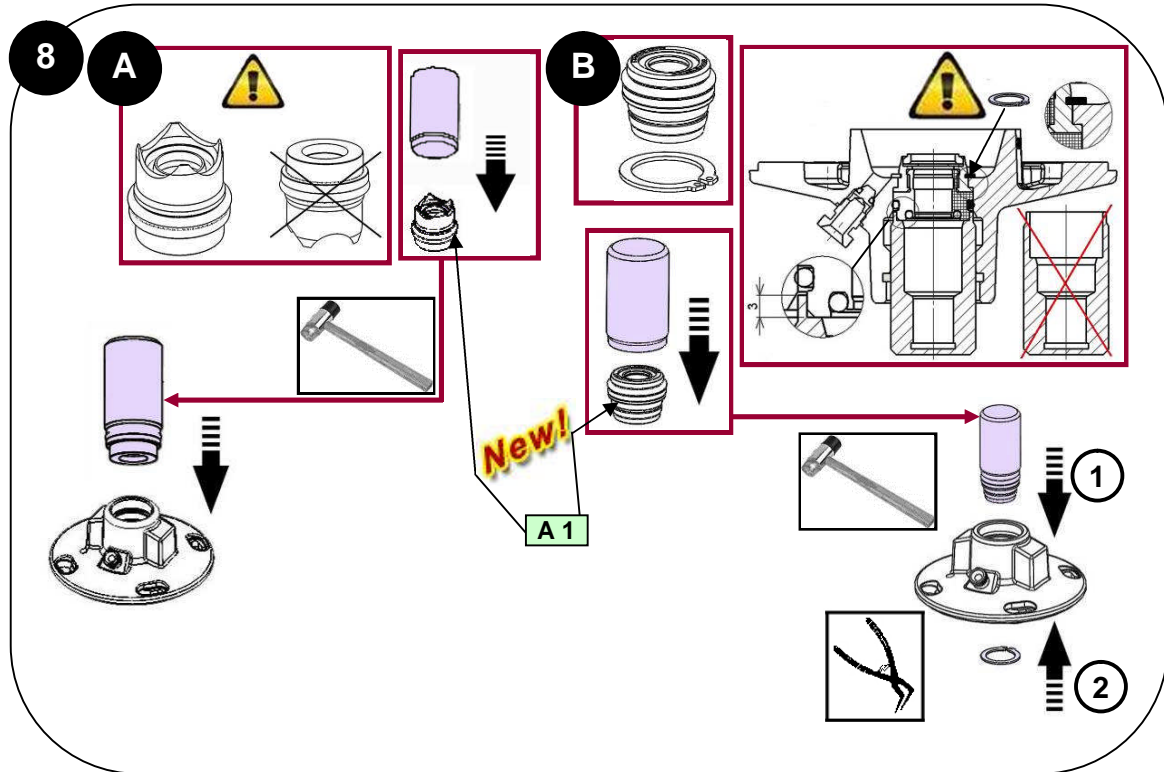
**/ Protectores (capó motor, protector de acoplamiento, cárteres,...) se colocan para una utilización segura del material. El fabricante no se hace responsable, en caso de daños y / o daños del material, resultantes de la destrucción, la ocultación o la retirada total o parcial de los protectores.**

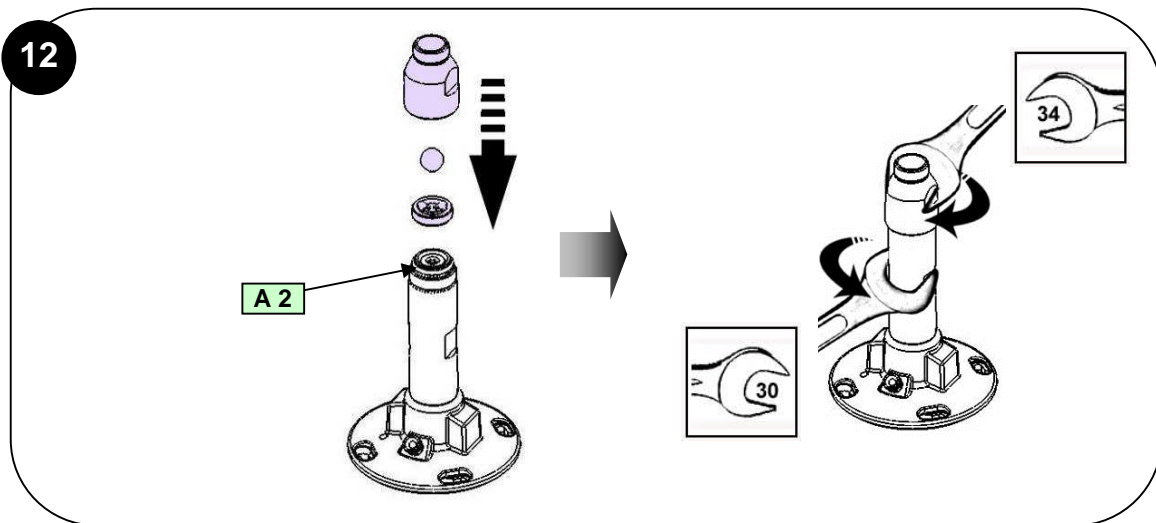
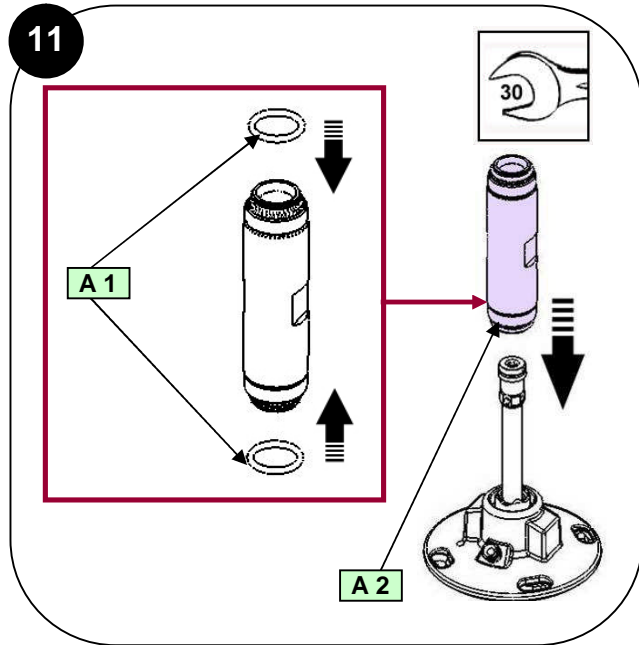
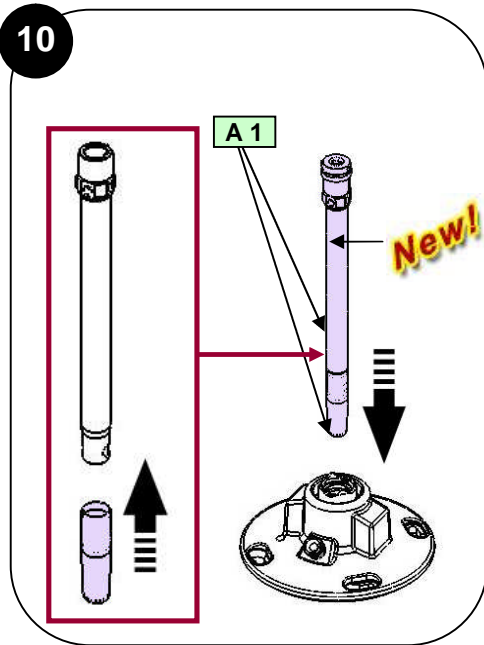






NOTA : Si le piston est endommagé, le remplacement de ce dernier implique le remplacement systématique de la cartouche. / *If the piston is damaged, you must change at the same time the cartridge.* / ANMERKUNG : Wenn der Kolben beschädigt ist, müssen Sie gleichzeitig den Kolben und die Packung ersetzen. / *NOTA : Si el pistón tiene un desgaste, su cambio llega al cambio del cartucho.*





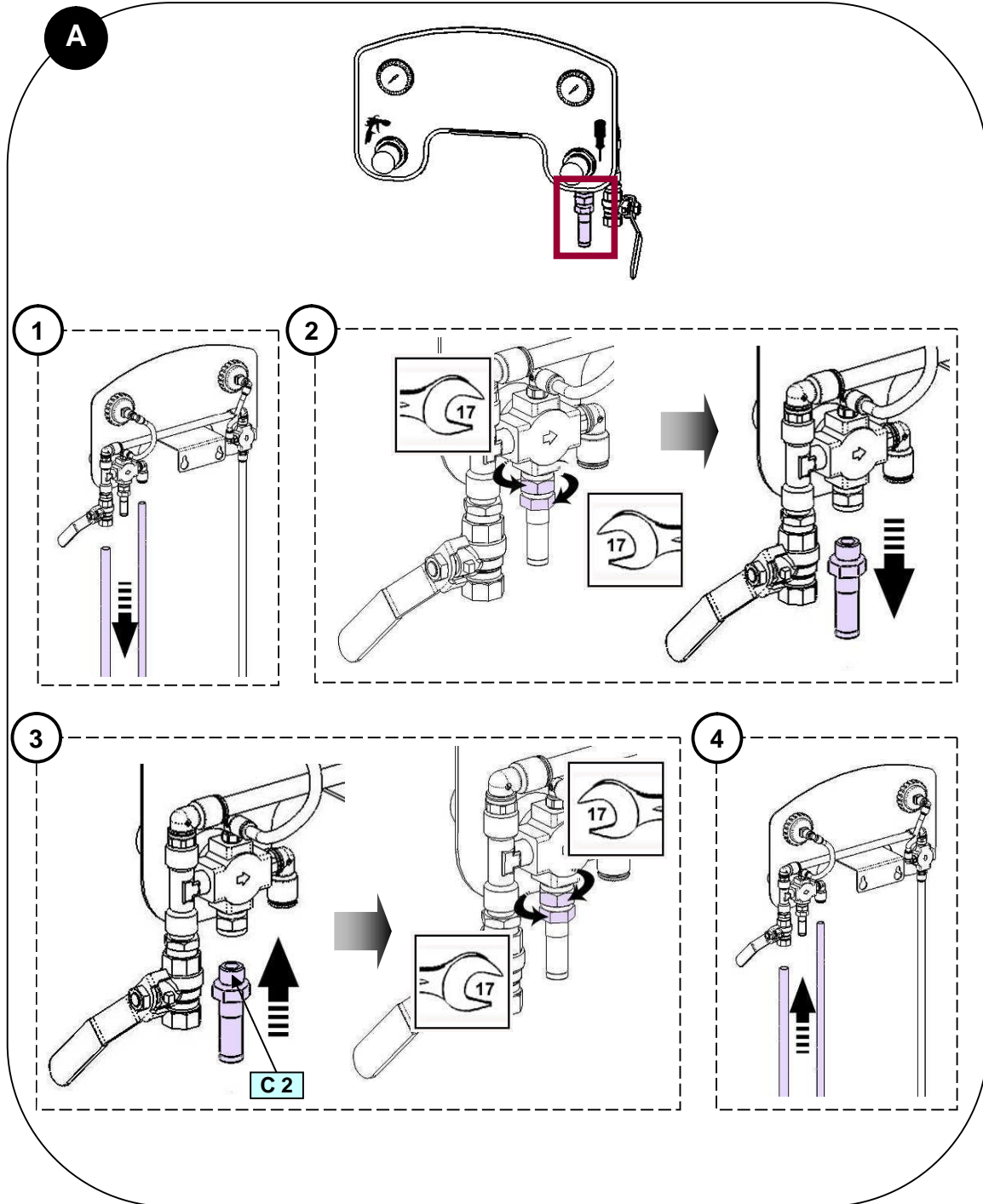
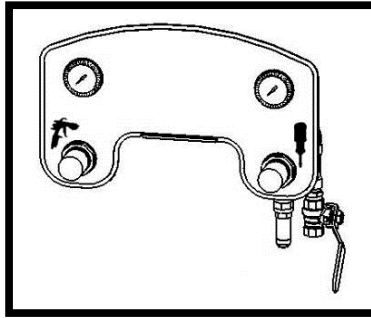
Des protecteurs (capot moteur, protecteur d'accouplement, carters,...) sont mis en place pour une utilisation sûre du matériel.

Le fabricant ne peut être tenu pour responsable en cas de dommages corporels ainsi que des pannes et / ou endommagement du matériel résultant de la destruction, de l'occultation ou du retrait total ou partiel des protecteurs.

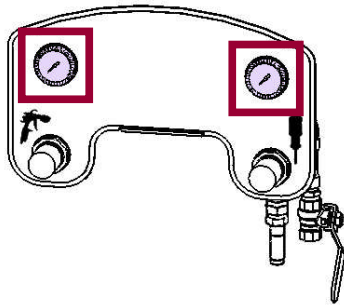
/ Guards (air motor cover, coupling shields, housings ...) have been designed for safe use of the equipment. The manufacturer will not be held responsible for bodily injury or failure and / or damage to property due to removal or partial removal of the guards.

/ Schutzvorrichtungen an diesem Gerät, wie Motorhaube, Kupplungsschutz, Gehäuse, ggf. Erdungskabel, sowie weitere Vorrichtungen, wurden für eine sichere Benutzung dieses Gerätes entwickelt und angebracht. Der Hersteller lehnt jede Verantwortung für Körperschäden, Fehlfunktionen, Beschädigung der Geräte und jegliche andere Fehler ab, die durch die ganze oder teilweise Entfernung, Modifikation oder unsachgemäße Handhabung der Schutzvorrichtungen oder anderer Geräteteile entstehen.

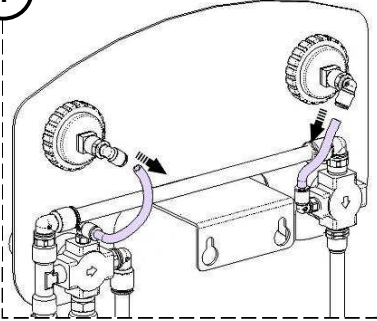
/ Protectores (capó motor, protector de acoplamiento, cárteres,...) se colocan para una utilización segura del material. El fabricante no se hace responsable, en caso de daños y / o daños del material, resultantes de la destrucción, la ocultación o la retirada total o parcial de los protectores.



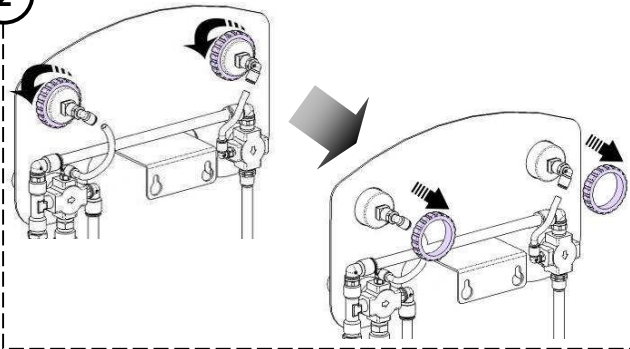
**B**



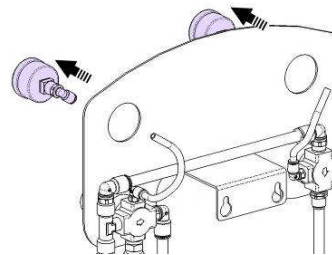
**1**



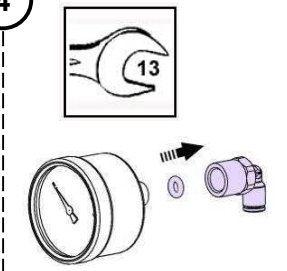
**2**



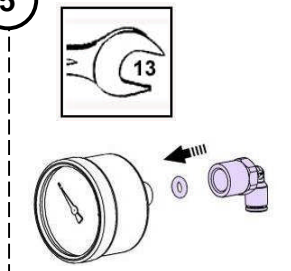
**3**



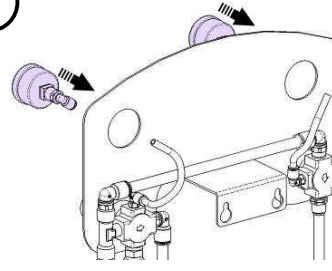
**4**



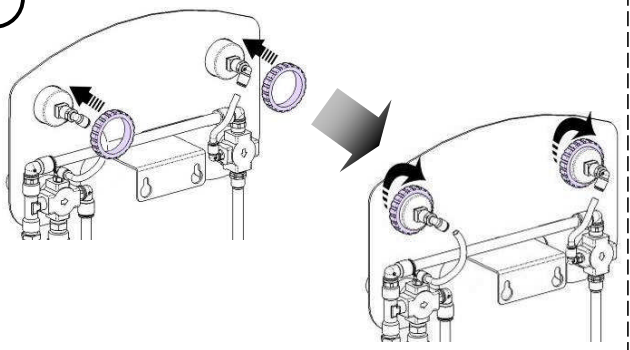
**5**



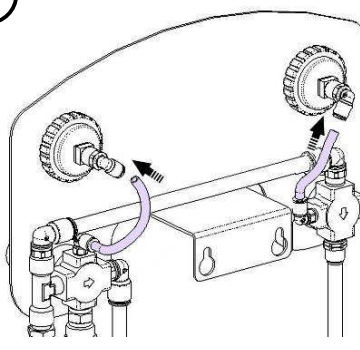
**6**



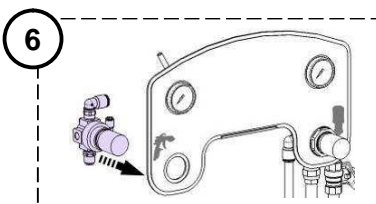
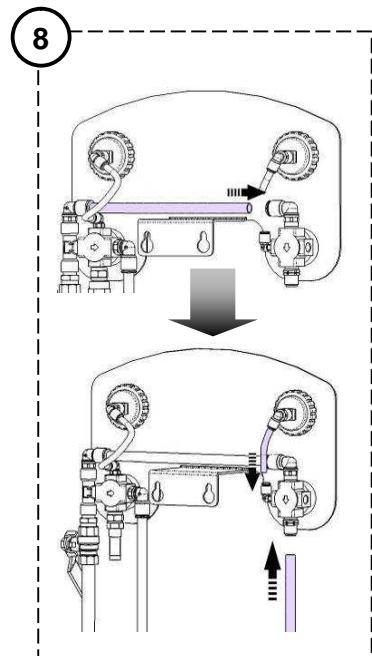
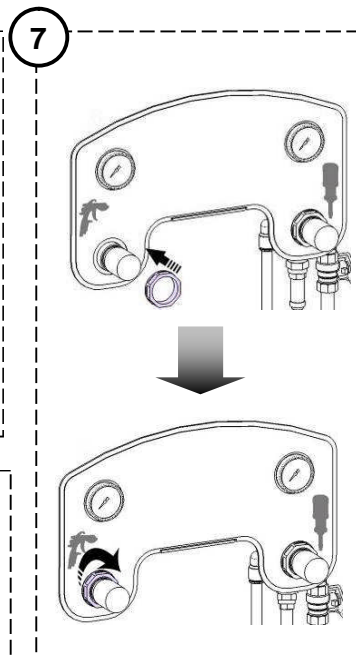
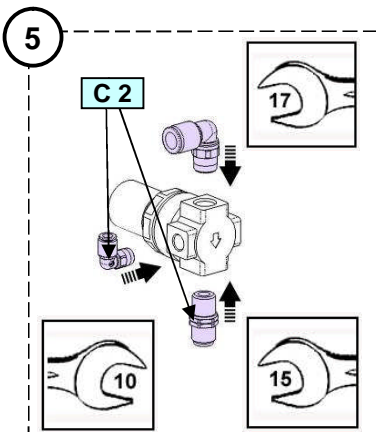
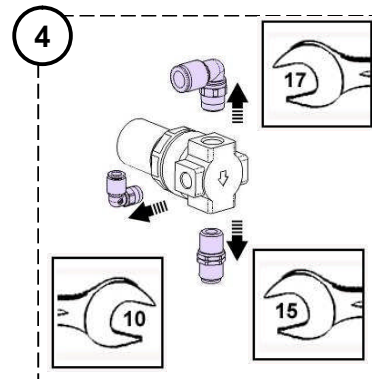
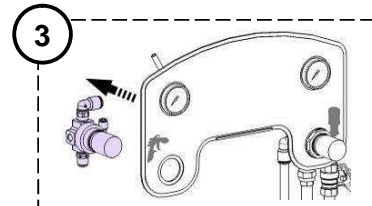
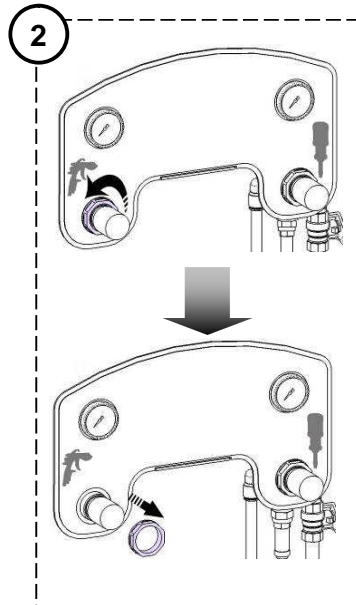
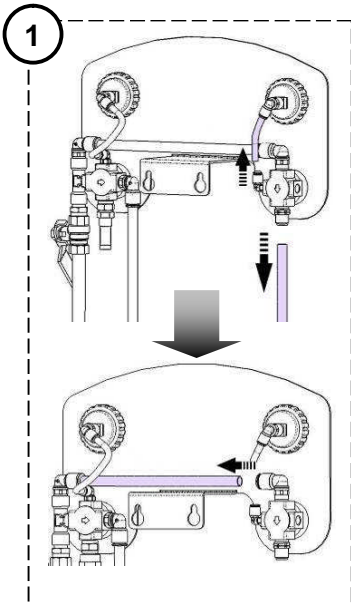
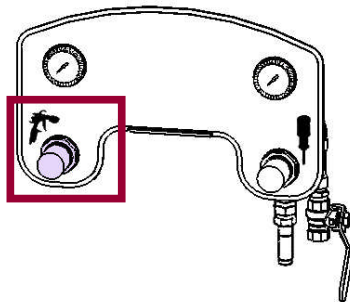
**7**



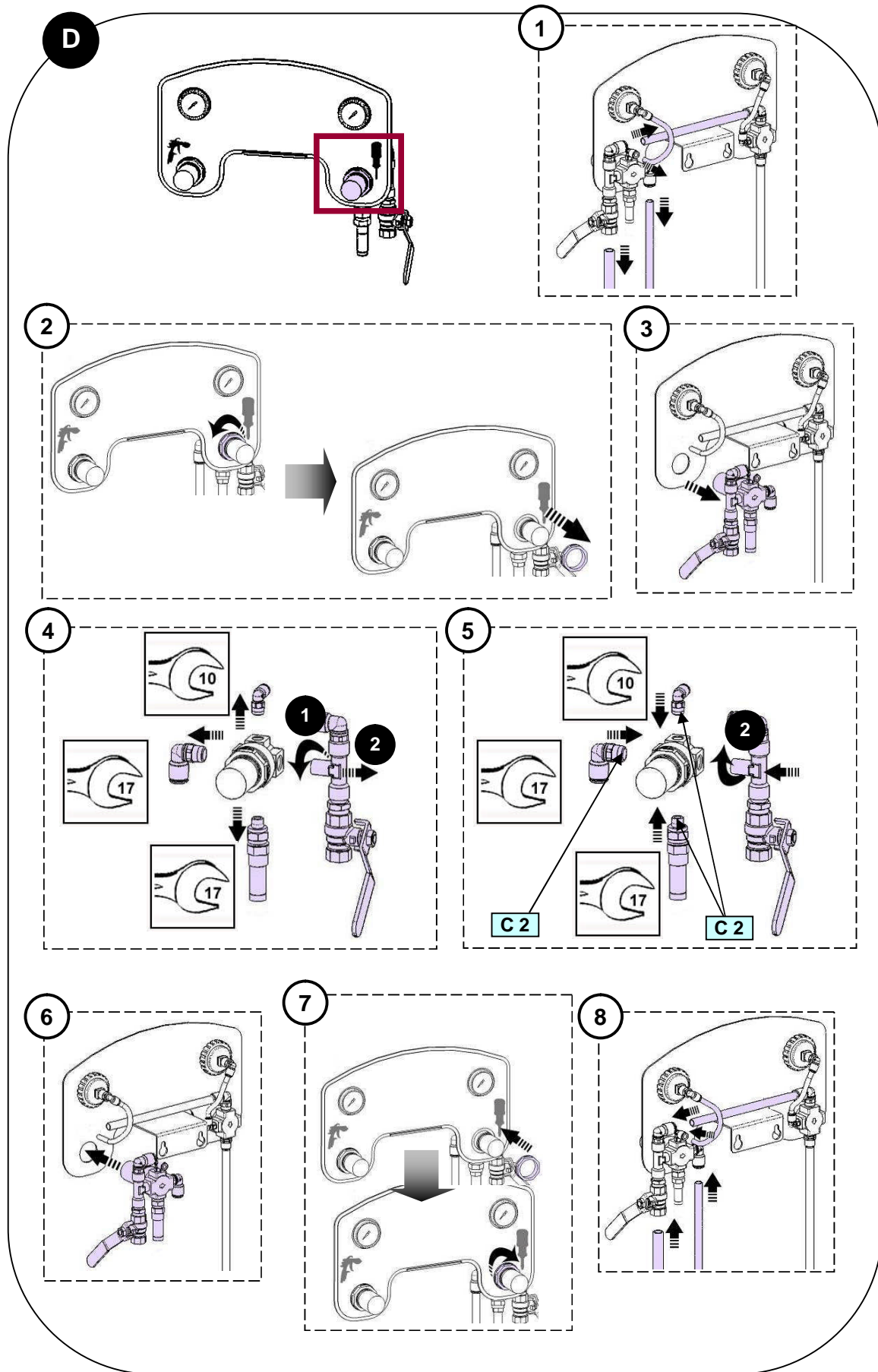
**8**

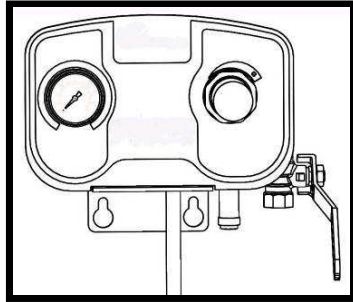


C

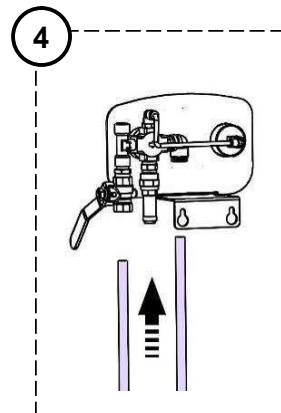
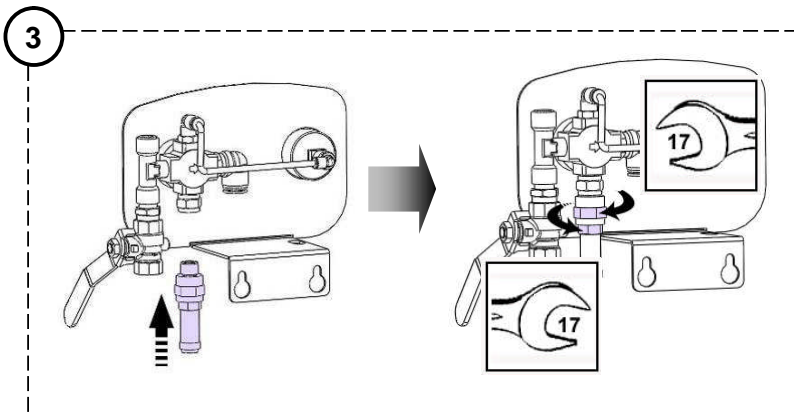
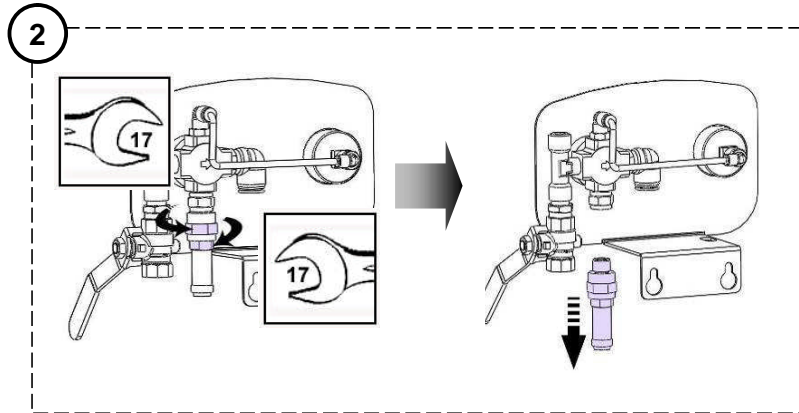
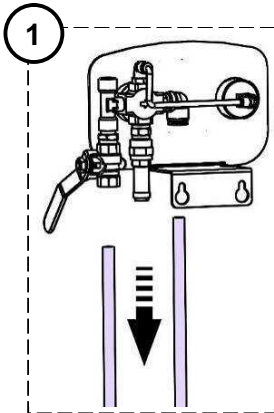
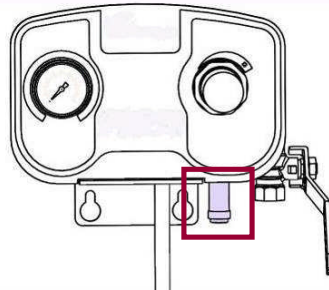




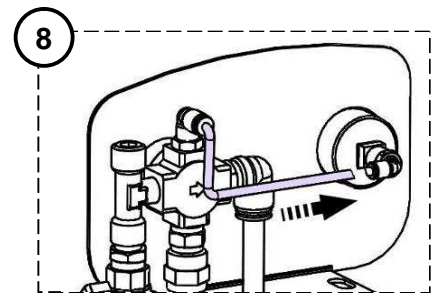
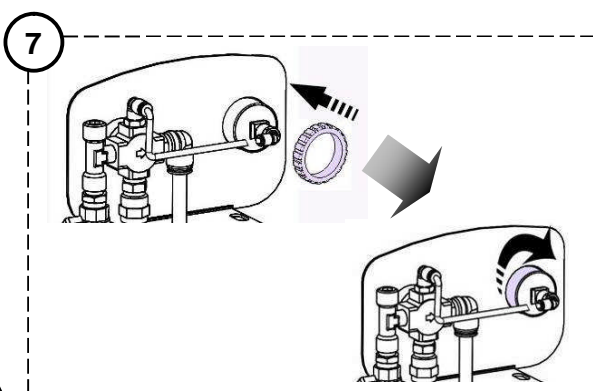
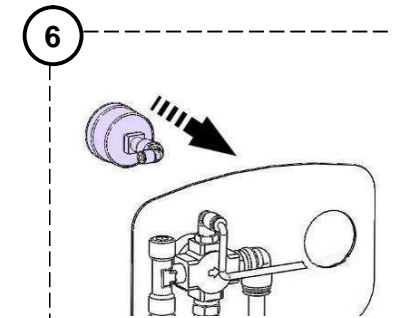
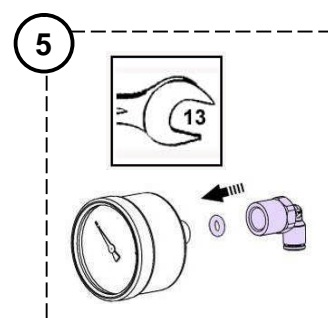
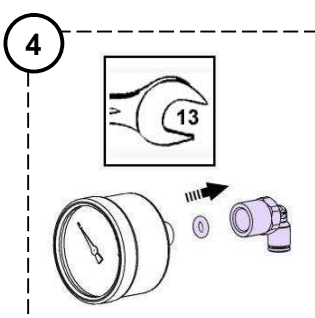
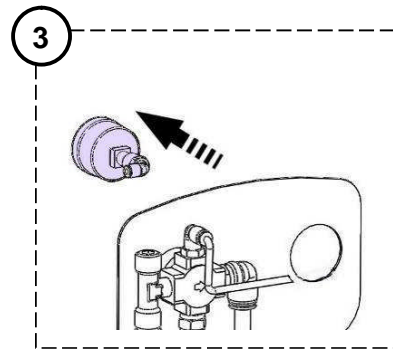
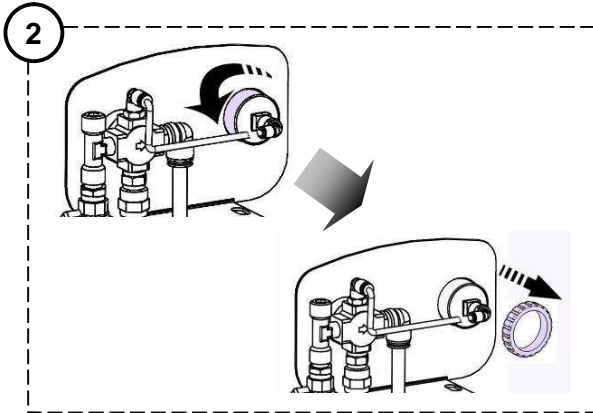
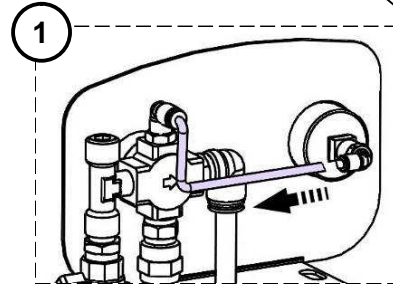
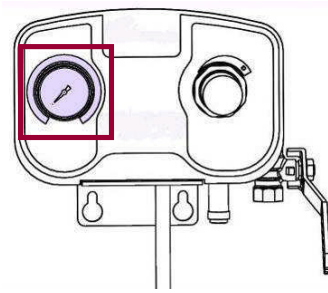


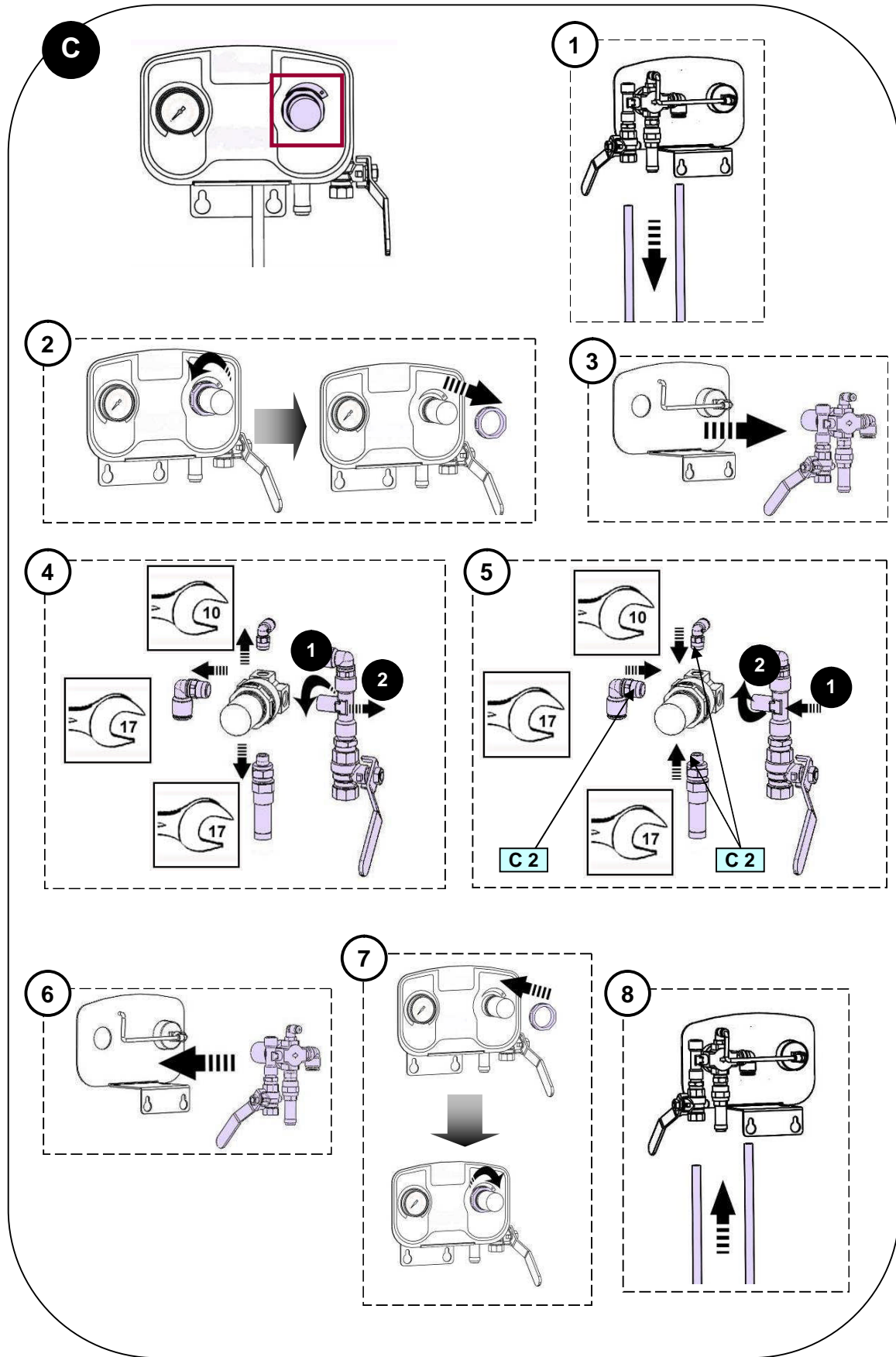


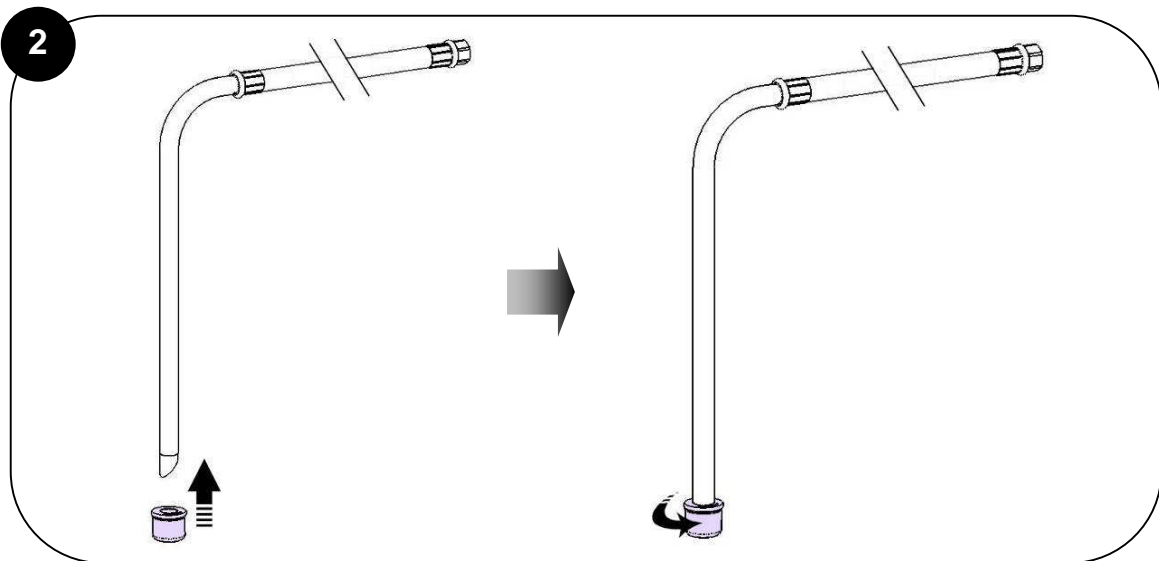
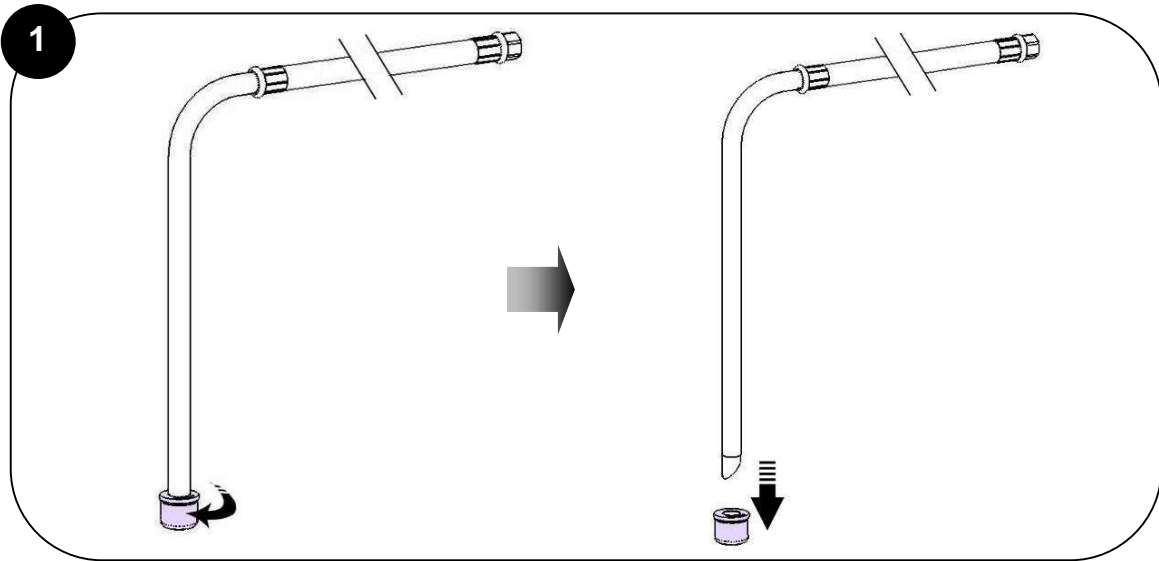
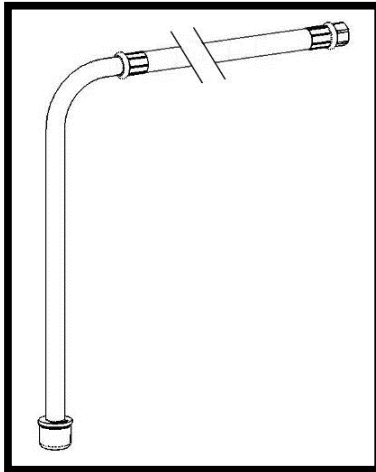
A



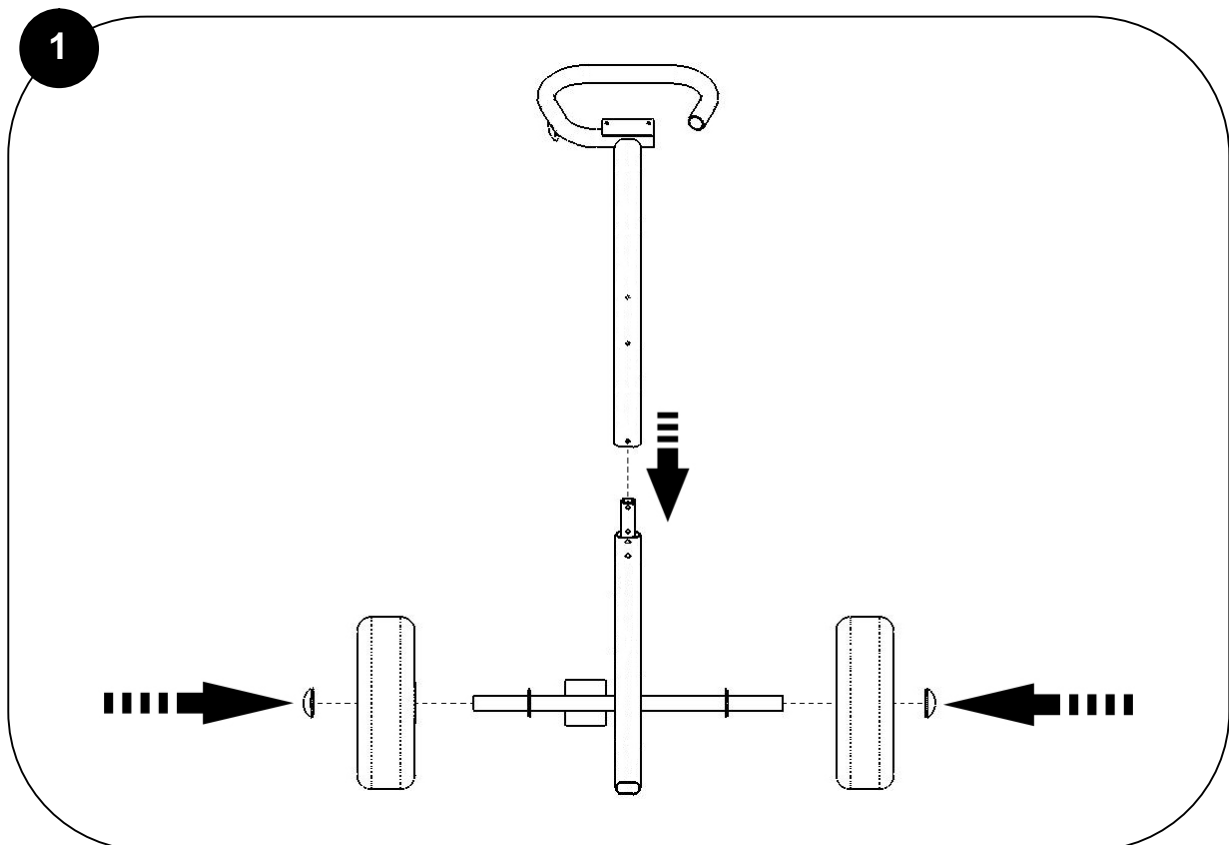
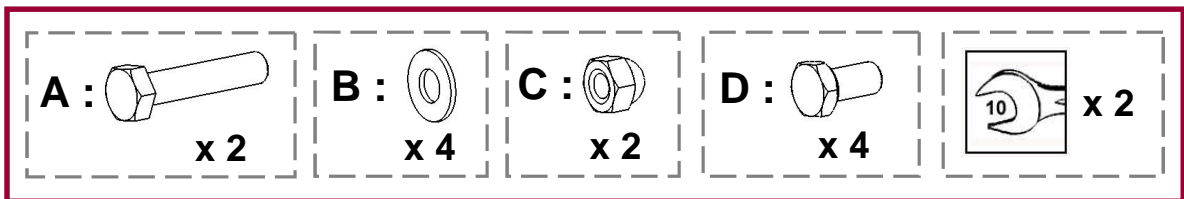
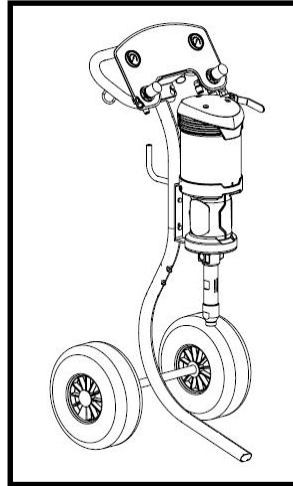
**B**



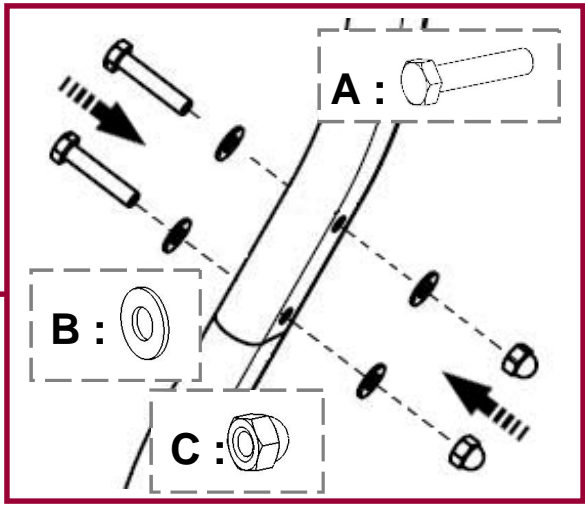
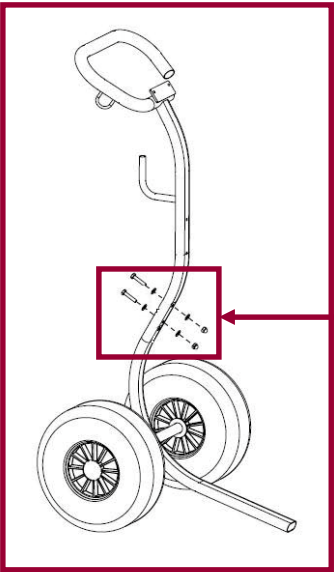




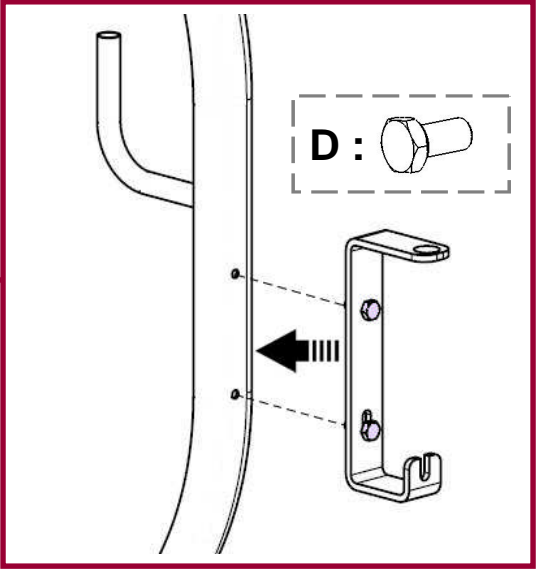
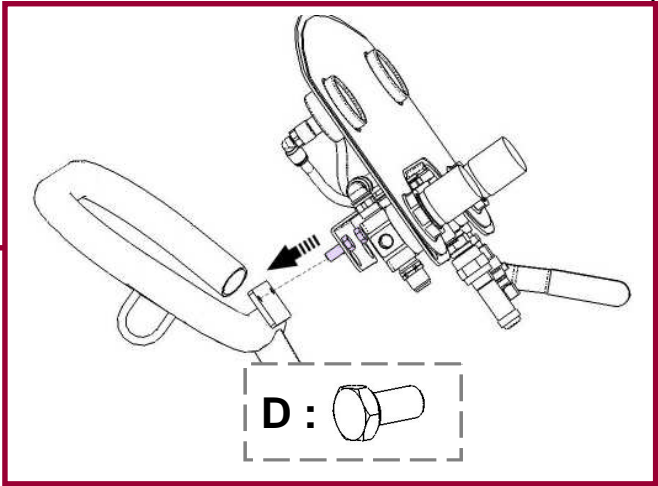
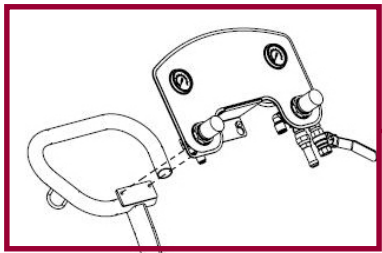
# ASSEMBLAGE ASSEMBLY Chariot / Cart



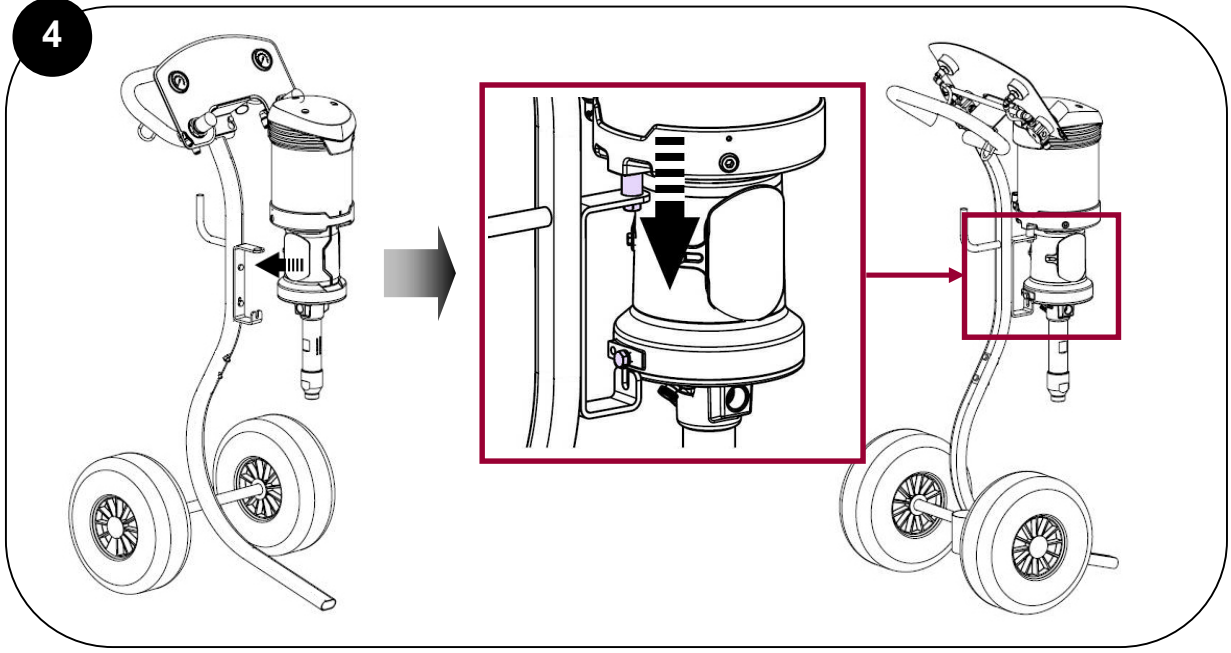
2



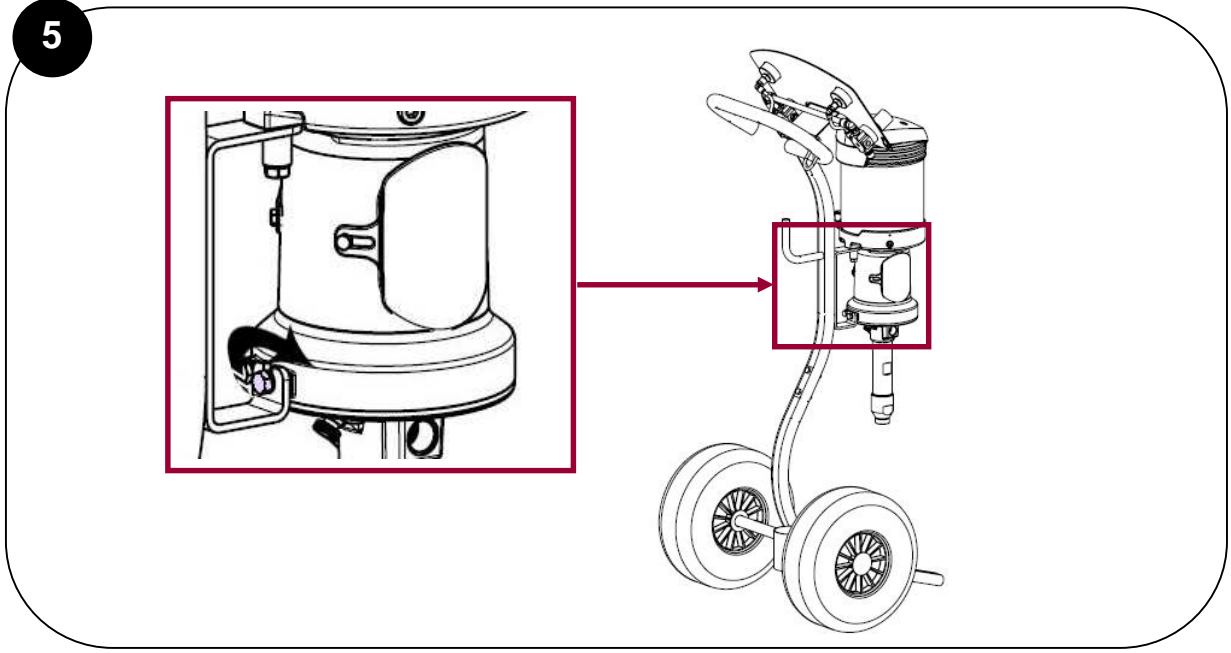
3



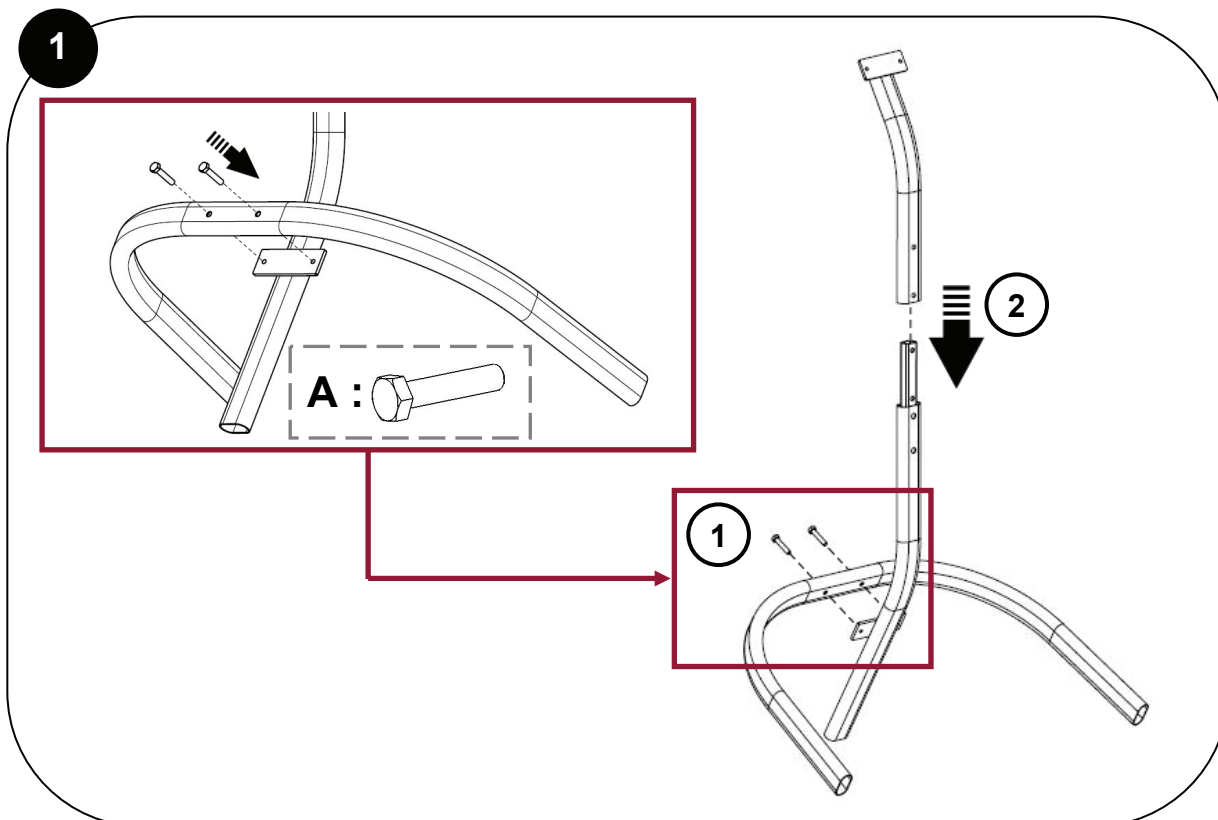
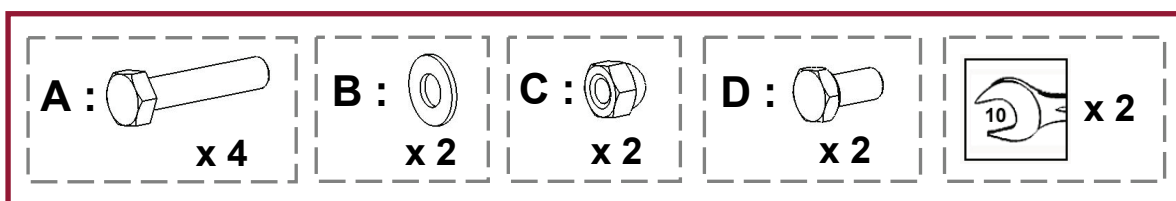
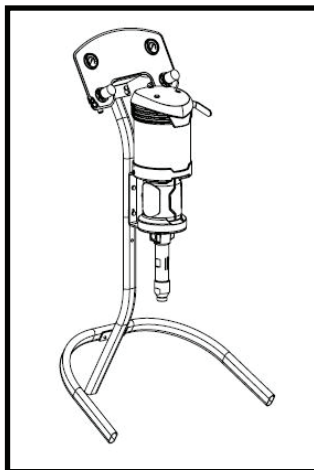
4



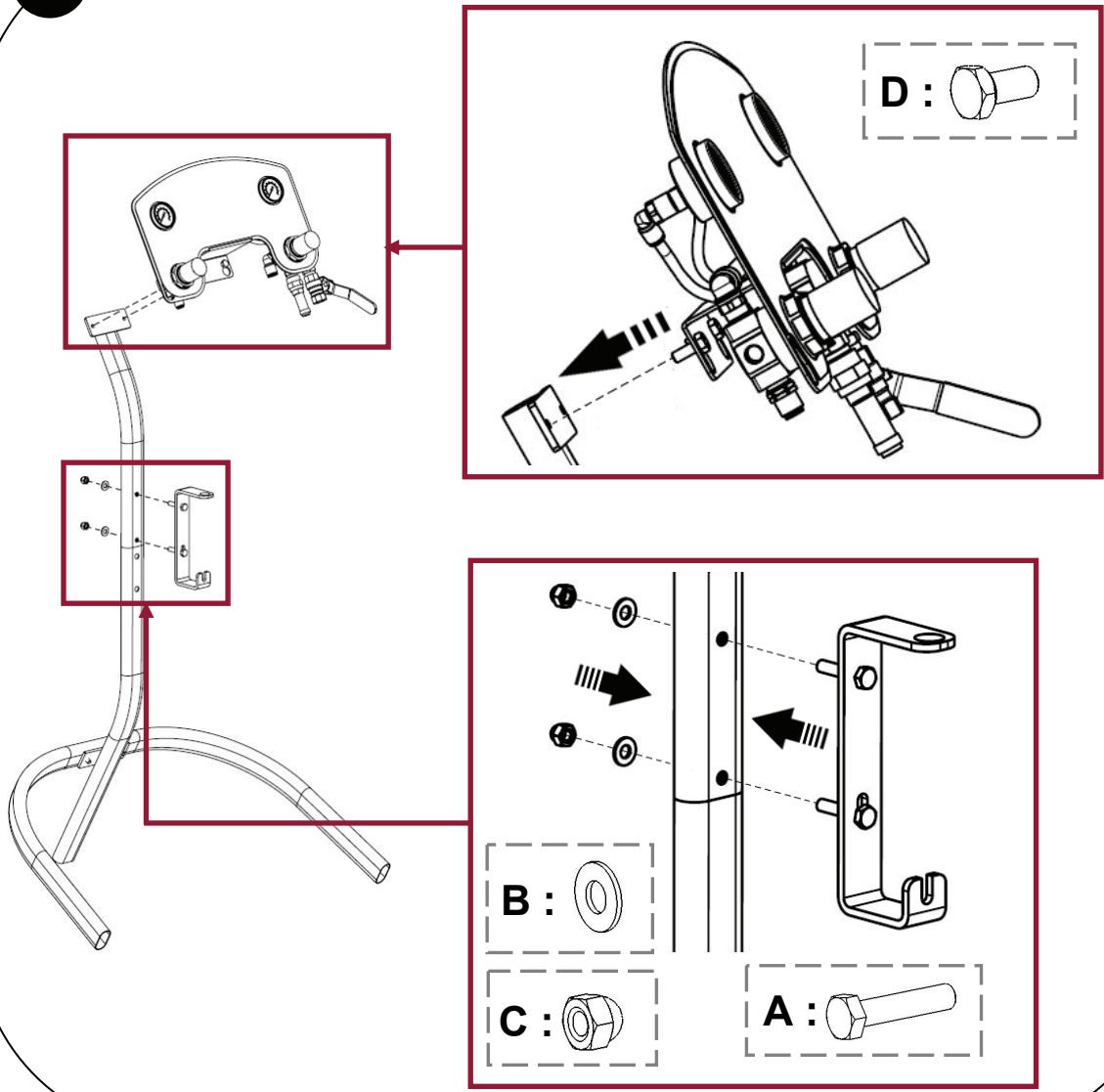
5



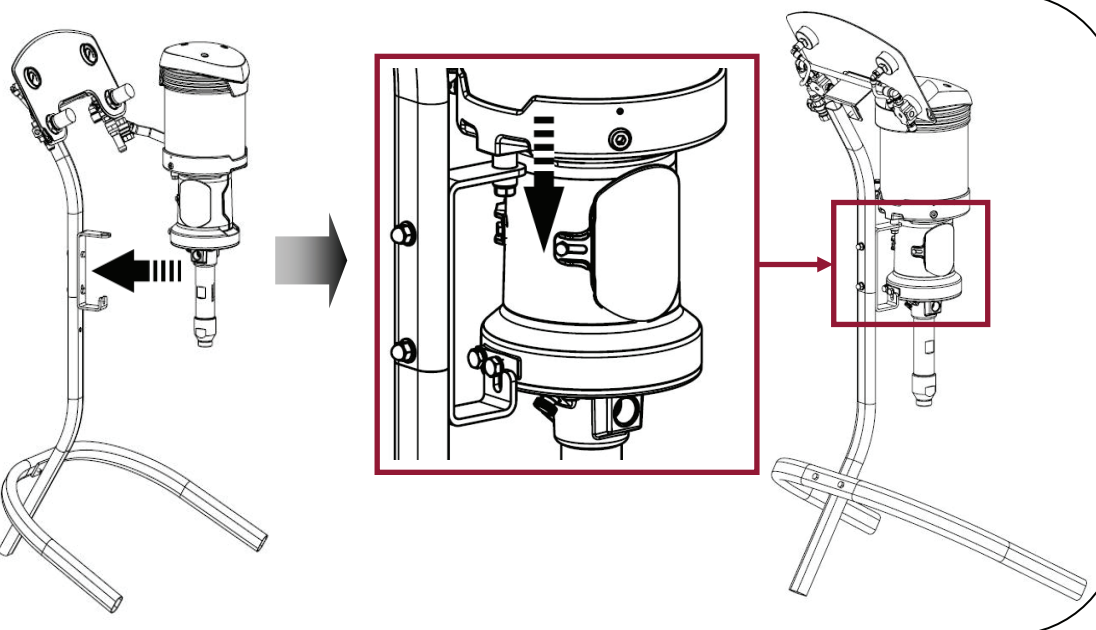




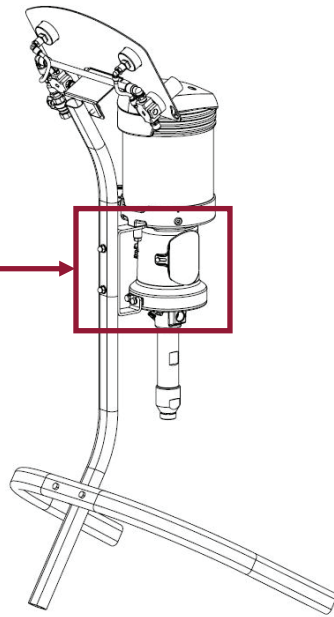
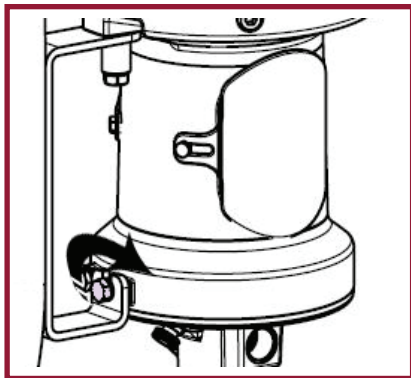
2



3

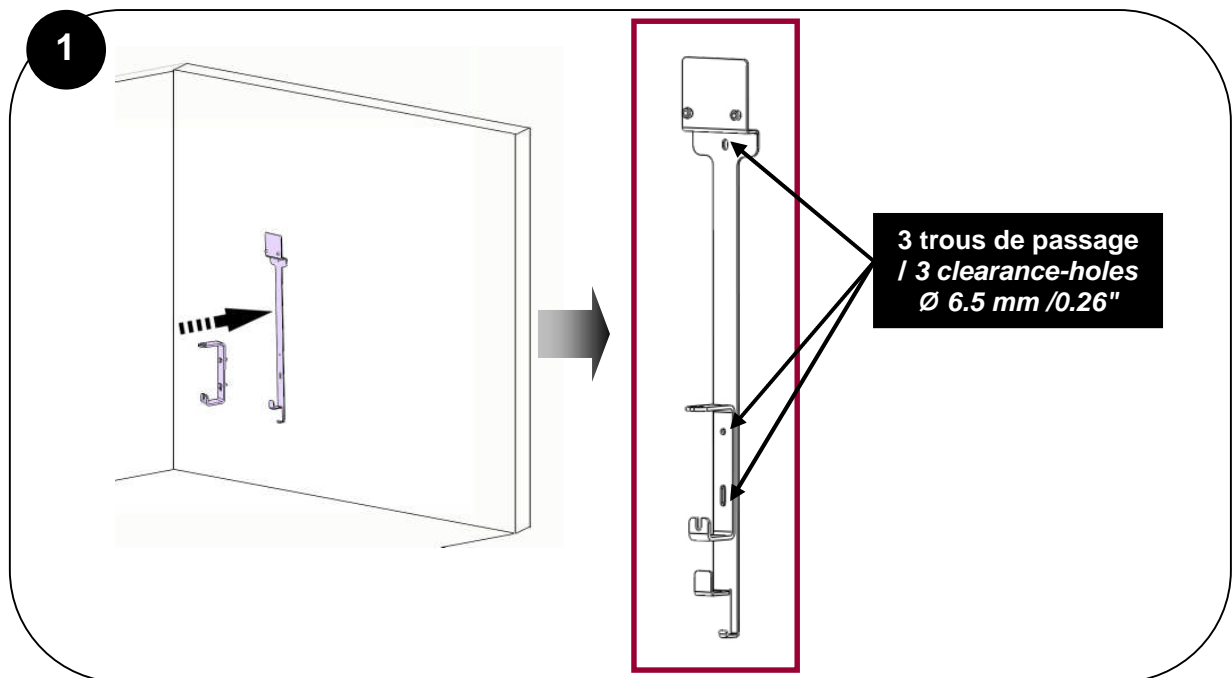
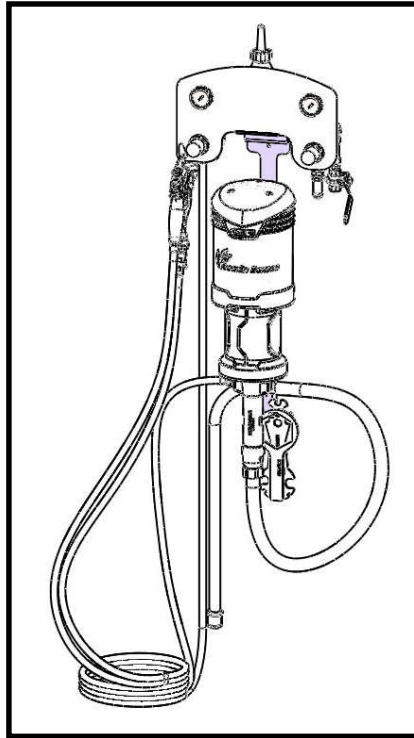


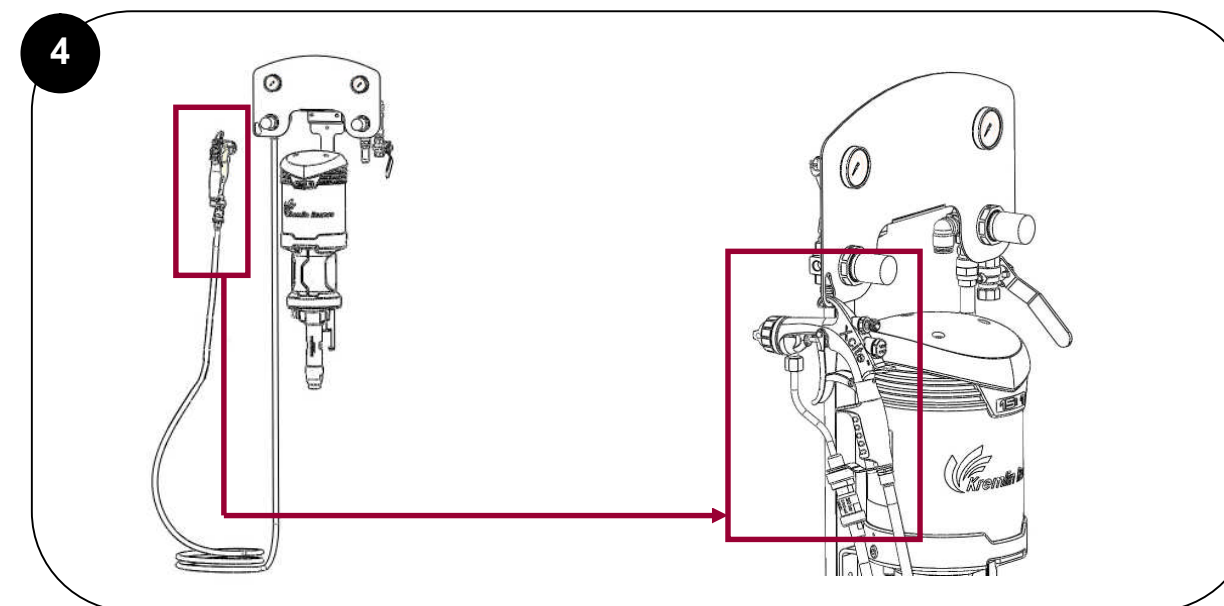
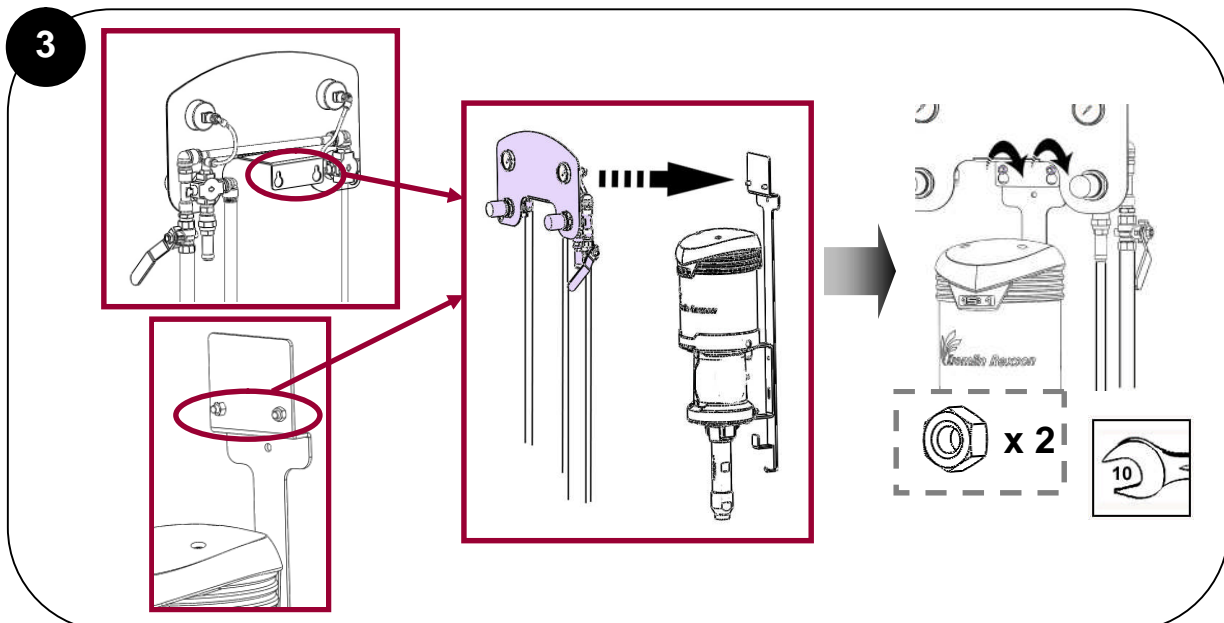
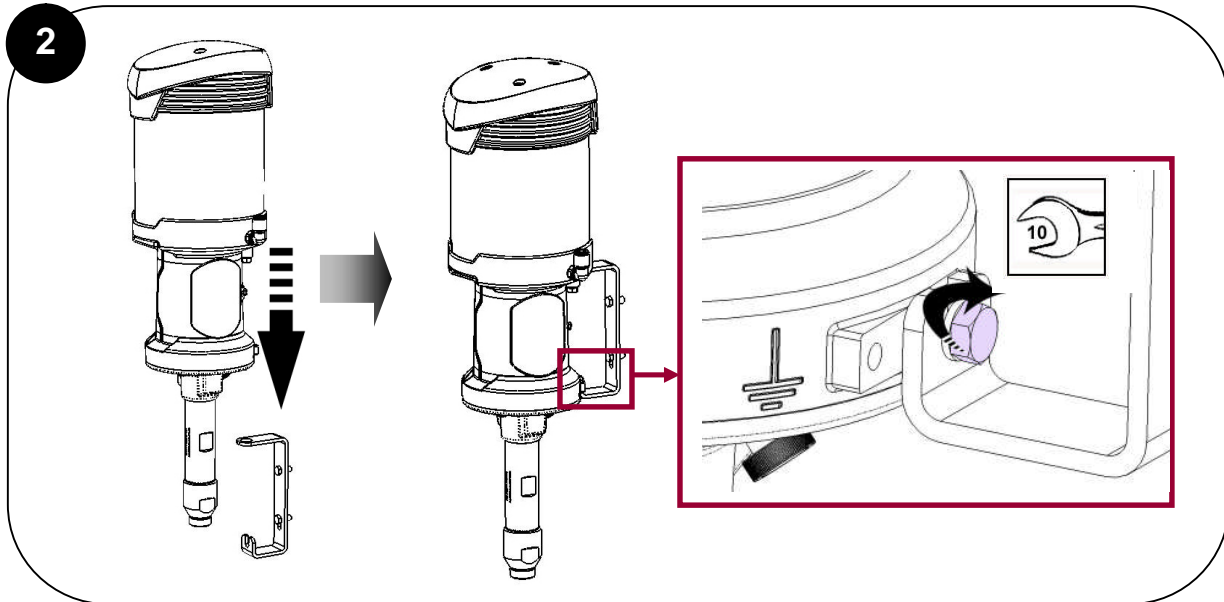
4



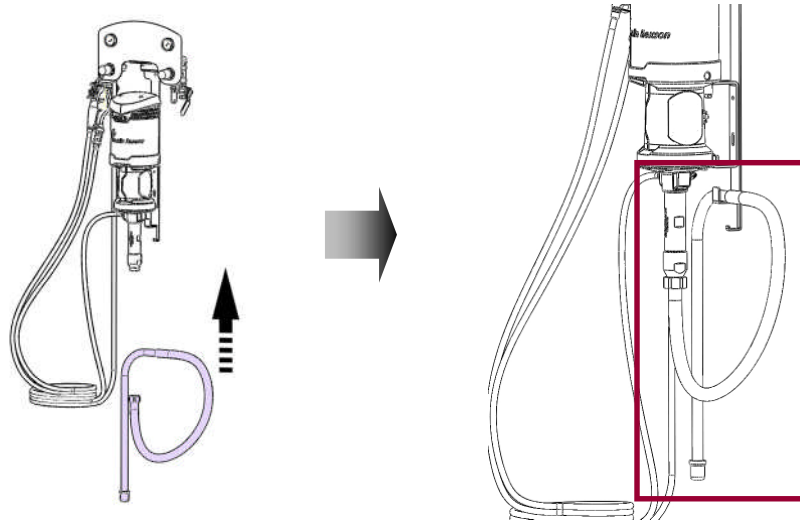
# ASSEMBLAGE ASSEMBLY

## Totem

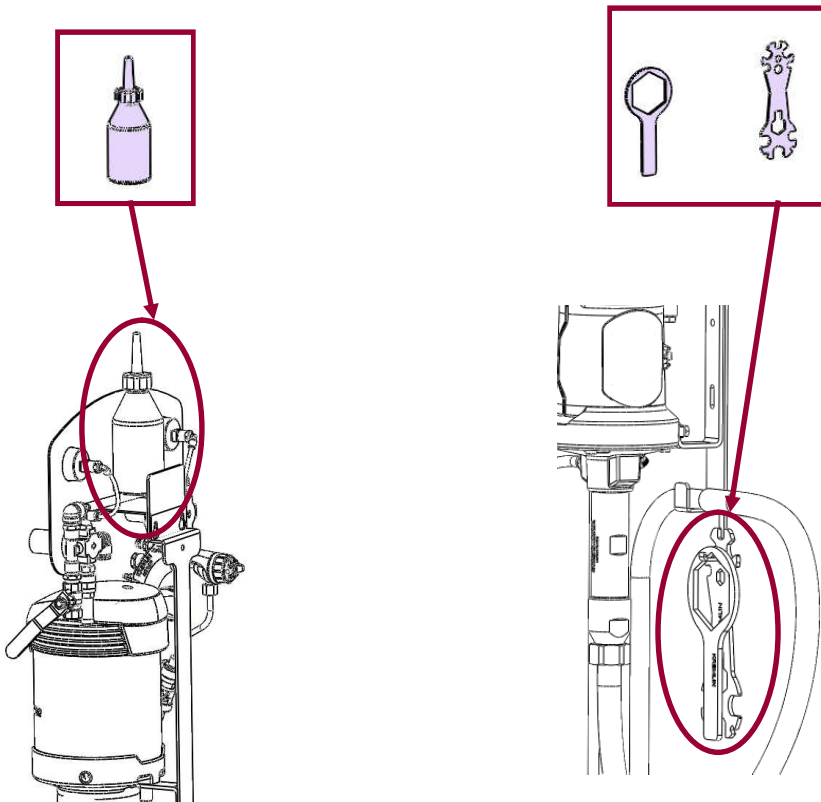




5



6



	#
ENSEMBLE CARTOUCHE / CARTRIDGE ASSEMBLY / PACKUNG KOMPLETT / CARTUCHO EQUIPADO	144.130.205
ENSEMBLE PISTON / PISTON ASSEMBLY / KOLBEN KOMPLETT / CONJUNTO PISTÓN	144.130.213
ENSEMBLE CARTOUCHE & PISTON / CARTRIDGE & PISTON ASSEMBLY / PACKUNG UND KOLBEN KOMPLETT / CONJUNTO CARTUCHO Y PISTÓN	144.130.289
ENSEMBLE PISTON & FLAMME / PISTON & TOOL ASSEMBLY / KOLBEN & WERKZEUG KOMPLETT / CONJUNTO PISTÓN & HERRAMIENTA	144.130.292
CARTOUCHE MB-A / MB-A CARTRIDGE / PACKUNG MB-A / CARTUCHO MB-A	144.130.365
ENSEMBLE PISTON & CARTOUCHE MB-A / PISTON ASSEMBLY AND MB-A CARTRIDGE / KOLBENEINHEIT MIT PACKUNG MB-A / CONJUNTO PISTÓN Y CARTUCHO MB-A	144.130.389

NOTICE ORIGINALE  
/ TRANSLATION FROM THE ORIGINAL MANUAL  
/ ÜBERSETZUNG DER ORIGINAL BETRIEBSANLEITUNG  
/ TRADUCCIÓN DEL LIBRO ORIGINAL

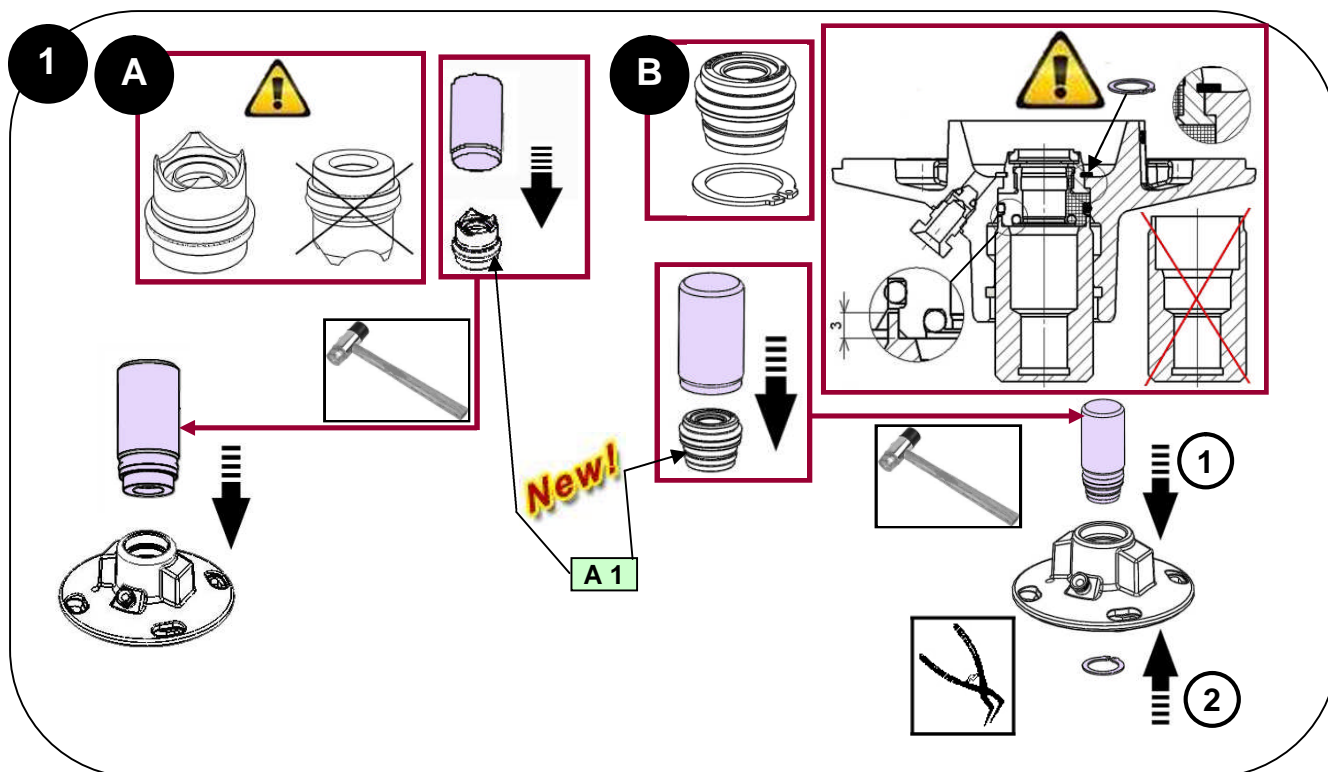
NOTA : Si le piston est endommagé, le remplacement de ce dernier implique le remplacement systématique de la cartouche.

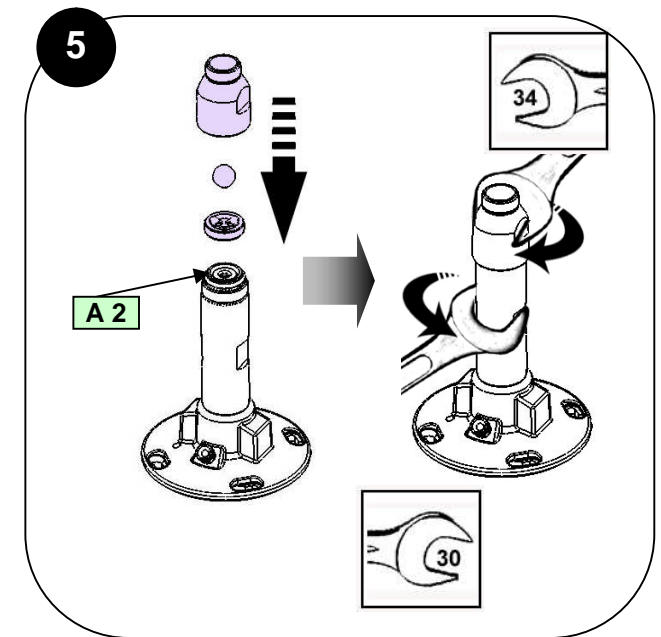
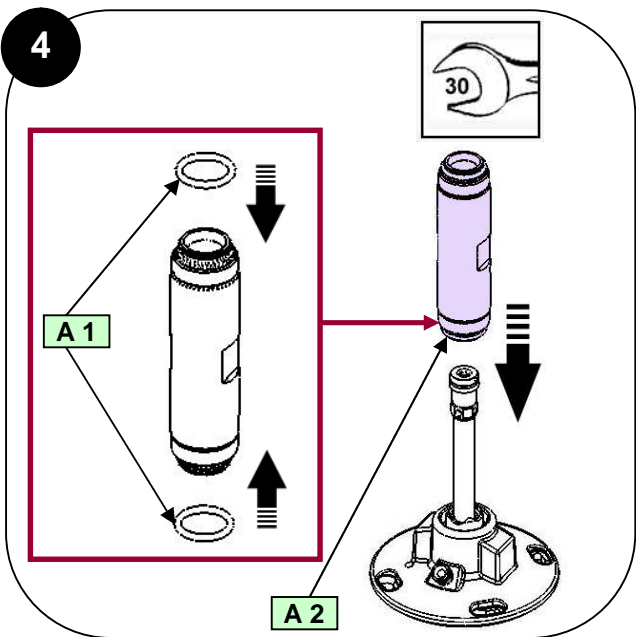
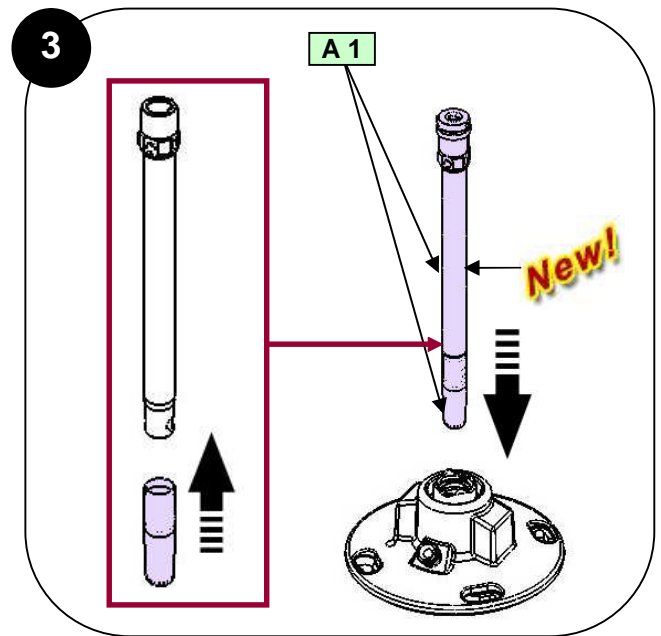
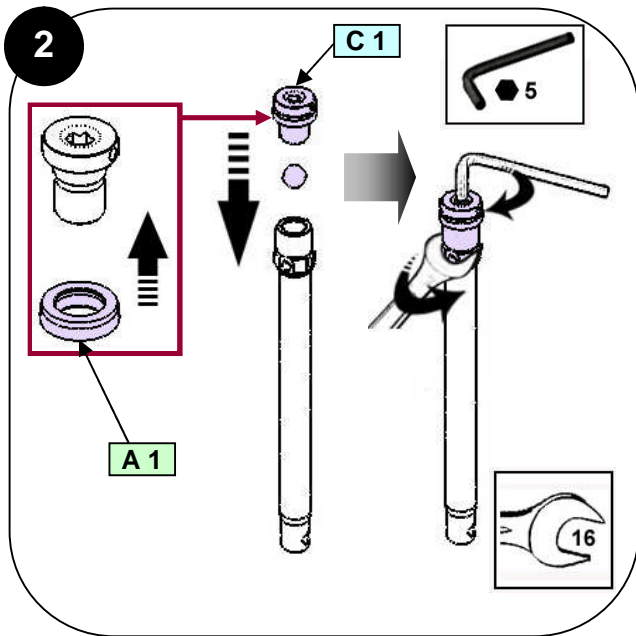


NOTA : If the piston is damaged, you must change at the same time the cartridge.

ANMERKUNG: Wenn der Kolben beschädigt ist, müssen Sie gleichzeitig den Kolben und die Packung ersetzen.

NOTA : Si el pistón tiene un desgaste, su cambio llega al cambio del cartucho.

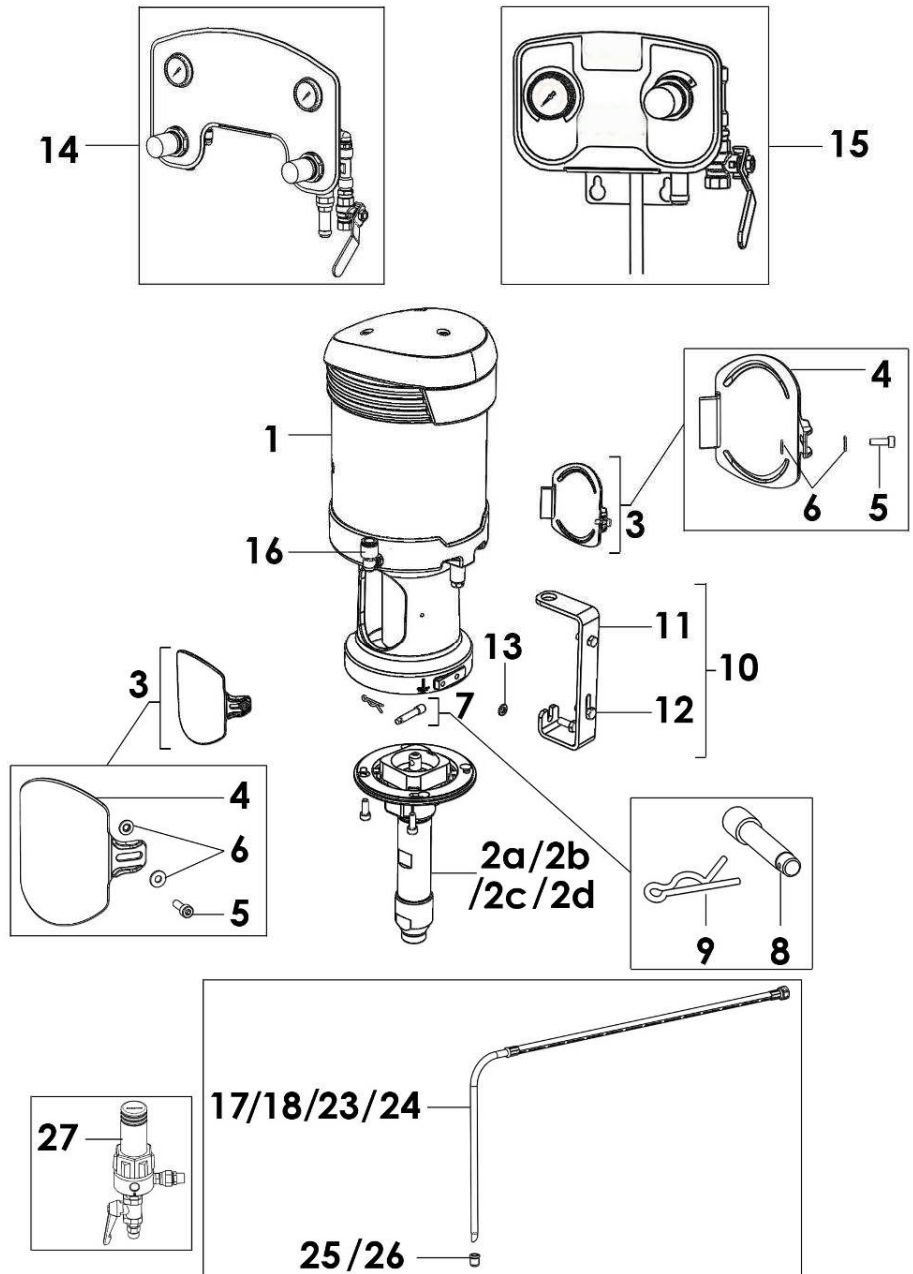




Repère / Index / Pos. / Índice	Instructions / Montage-Hinweis / Instrucciones	Désignation / Description / Bezeichnung / Descripción	Référence / Part number / Artikel-Nr. / Referencia
A 1	Graisse PTFE	Tube de graisse "TECHNILUB" (10 ml)	560.440.101
	PTFE grease	PTFE grease (10 ml / 0.0026 US gal)	
	PTFE-Fett	PTFE Fett (10 ml)	
	Grasa PTFE	Tubo de grasa "TECHNILUB" (10 ml)	
A 2	Graisse anti-seize	Boîte de graisse (450 g)	560.420.005
	Anti-seize grease	Grease box (450 g / 0.99 lb)	
	Grafit Fett	Grafit Fett (450 g Dose)	
	Grasa anti-seize	Caja de grasa anti-seize (450 g)	
C 1	Colle Anaérobie Tube étanche	Loctite 577 (250 ml)	554.180.015
	Medium strength Aneorobic Pipe sealant	Loctite 577 (250 ml / 0.066 US gal)	
	Mittelfester anaerober Kleber	Loctite 577 (250 ml)	
	Cola PTFE (para la estanqueidad)	Loctite 577 (250 ml)	



<b>Doc. 573.433.050</b> Date/Datum/Fecha : 11/01/16 Annule/Cancel/ Ersetzt/Anula : 03/09/15	<b>Modif. / Änderung :</b> # 151.140.400, # 151.140.450, # 151.145.400, # 151.145.450, # 151.140.500, # 151.145.600 + Ind. / Pos. 2c, 2d + # 151.730.114 supprimé / canceled / annulliert / suprimido	<b>Pièces de rechange</b> <b>Spare parts list</b> <b>Ersatzteilliste</b> <b>Piezas de repuesto</b>
--	---	---

**POMPE,**  
**modèle EOS 15-C25 & 30-C25**
**PUMP,**  
**model EOS 15-C25 & 30-C25**
**PUMPE,**  
**Modell EOS 15-C25 & 30-C25**
**BOMBA ,**  
**tipo EOS 15-C25 & 30-C25**


<b>POMPE MURALE AIRMIX®,</b> modèle EOS 15-C25 sans canne d'aspiration (Entrée produit M 26x125)	<b>AIRMIX® WALL MOUNTED PUMP,</b> model EOS 15-C25 without suction rod (Material inlet M 26x125)	#
<b>WANDANLAGE AIRMIX®,</b> Modell EOS 15-C25 ohne Saugschlauch (Materialeingang M 26x1,25 AG)	<b>BOMBA MURAL AIRMIX®,</b> tipo EOS 15-C25 sin caña de aspiración (Entrada producto M 26x125)	151.140.000

<b>POMPE MURALE AIRMIX®,</b> modèle EOS 15-C25 sans canne d'aspiration (Entrée produit F 1/2 G)	<b>AIRMIX® WALL MOUNTED PUMP,</b> model EOS 15-C25 without suction rod (Material inlet F 1/2 G)	#
<b>WANDANLAGE AIRMIX®,</b> Modell EOS 15-C25 ohne Saugschlauch (Materialeingang IG 1/2" G)	<b>BOMBA MURAL AIRMIX®,</b> tipo EOS 15-C25 sin caña de aspiración (Entrada producto H 1/2 G)	151.140.320

<b>POMPE MURALE AIRMIX®,</b> modèle EOS 15-C25 MB-A sans canne d'aspiration (Entrée produit M 26x125)	<b>AIRMIX® WALL MOUNTED PUMP,</b> model EOS 15-C25 MB-A without suction rod (Material inlet M 26x125)	#
<b>WANDANLAGE AIRMIX®,</b> Modell EOS 15-C25 MB-A ohne Saugschlauch (Materialeingang M 26x1,25 AG)	<b>BOMBA MURAL AIRMIX®,</b> tipo EOS 15-C25 MB-A sin caña de aspiración (Entrada producto M 26x125)	151.140.400

<b>POMPE MURALE AIRMIX®,</b> modèle EOS 15-C25 MB-A sans canne d'aspiration (Entrée produit F 1/2 G)	<b>AIRMIX® WALL MOUNTED PUMP,</b> model EOS 15-C25 MB-A without suction rod (Material inlet F 1/2 G)	#
<b>WANDANLAGE AIRMIX®,</b> Modell EOS 15-C25 MB-A ohne Saugschlauch (Materialeingang IG 1/2" G)	<b>BOMBA MURAL AIRMIX®,</b> tipo EOS 15-C25 MB-A sin caña de aspiración (Entrada producto H 1/2 G)	151.140.450

<b>POMPE MURALE AIRMIX®,</b> modèle EOS 30-C25 sans canne d'aspiration (Entrée produit M 26x125)	<b>AIRMIX® WALL MOUNTED PUMP,</b> model EOS 30-C25 without suction rod (Material inlet M 26x125)	#
<b>WANDANLAGE AIRMIX®,</b> Modell EOS 30-C25 ohne Saugschlauch (Materialeingang M 26x1,25 AG)	<b>BOMBA MURAL AIRMIX®,</b> tipo EOS 30-C25 sin caña de aspiración (Entrada producto M 26x125)	151.145.000
<b>POMPE MURALE AIRMIX®,</b> modèle EOS 30-C25 MB-A sans canne d'aspiration (Entrée produit M 26x125)	<b>AIRMIX® WALL MOUNTED PUMP,</b> model EOS 30-C25 MB-A without suction rod (Material inlet M 26x125)	#
<b>WANDANLAGE AIRMIX®,</b> Modell EOS 30-C25 MB-A ohne Saugschlauch (Materialeingang M 26x1,25 AG)	<b>BOMBA MURAL AIRMIX®,</b> tipo EOS 30-C25 MB-A sin caña de aspiración (Entrada producto M 26x125)	151.145.400
<b>POMPE MURALE AIRMIX®,</b> modèle EOS 30-C25 sans canne d'aspiration (Entrée produit F 1/2 G)	<b>AIRMIX® WALL MOUNTED PUMP,</b> model EOS 30-C25 without suction rod (Material inlet F 1/2 G)	#
<b>WANDANLAGE AIRMIX®,</b> Modell EOS 30-C25 ohne Saugschlauch (Materialeingang IG 1/2" G)	<b>BOMBA MURAL AIRMIX®,</b> tipo EOS 30-C25 sin caña de aspiración (Entrada producto H 1/2 G)	151.145.320
<b>POMPE MURALE AIRMIX®,</b> modèle EOS 30-C25 MB-A sans canne d'aspiration (Entrée produit F 1/2 G)	<b>AIRMIX® WALL MOUNTED PUMP,</b> model EOS 30-C25 MB-A without suction rod (Material inlet F 1/2 G)	#
<b>WANDANLAGE AIRMIX®,</b> Modell EOS 30-C25 MB-A ohne Saugschlauch (Materialeingang IG 1/2" G)	<b>BOMBA MURAL AIRMIX®,</b> tipo EOS 30-C25 MB-A sin caña de aspiración (Entrada producto H 1/2 G)	151.145.450
<b>POMPE MURALE AIRLESS,</b> modèle EOS 30-C25 sans canne d'aspiration (Entrée produit M 26x125)	<b>AIRLESS WALL MOUNTED PUMP,</b> model EOS 30-C25 without suction rod (Material inlet M 26x125)	#
<b>WANDANLAGE AIRLESS,</b> Modell EOS 30-C25 ohne Saugschlauch (Materialeingang M 26x1,25 AG)	<b>BOMBA MURAL AIRLESS,</b> tipo EOS 30-C25 sin caña de aspiración (Entrada producto M 26x125)	151.145.050

**Pièces communes - Common parts - Gleiche Teile - Partes comunes**

Ind	#	Désignation	Description	Bezeichnung	Denominación	Qté
-	-	<b>Pompe nue inox</b>	<b>Bare pump, stainless steel</b>	<b>Pumpe nackt, Edelstahl</b>	<b>Bomba sola de inox</b>	<b>1</b>
*3	144 130 013	▪ Kit cache accouplement	▪ Coupling housing kit	▪ Schutzdeckelkit	▪ Kit cárter de acoplamiento	1
4	NC / NS	• Cache accouplement	• Coupling housing	• Schutzdeckel	• Cárter de acoplamiento	2
5	NC / NS	• Vis	• Screw	• Schraube	• Tornillo	2
6	NC / NS	• Rondelle	• Washer	• Mutter	• Arandela	4
*7	144 130 019	▪ Kit accouplement	▪ Coupling kit	▪ Kupplungskit	▪ Kit de acoplamiento	1
8	NC / NS	• Axe	• Axe	• Achse	• Eje	1
9	NC / NS	• Goupille	• Pin	• Splint	• Pasador	2
*10	144 130 022	▪ Support mural	▪ Pump bracket	▪ Wandhalterung, kpl.	▪ Soporte de bomba	1
11	NC / NS	• Support mural	• Pump bracket	• Wandhalter	• Soporte de bomba	1
12	NC / NS	• Vis H 6x16	• Screw, model H 6x16	• Schraube, H 6x16	• Tornillo, tipo H 6x16	3
13	NC / NS	• Rondelle AZ6	• Washer, model AZ6	• Mutter, AZ6	• Arandela, tipo AZ6	1
-	144 130 195	Kit écrous, vis et tirants	Nuts, screws and tie-rods kit	Stehbolzen, Schraube und Mutter	Kit tuercas, tornillos y tirantes	1
-	NC / NS	▪ Erou	▪ Nut	▪ Mutter	▪ Tuerca	4
-	NC / NS	▪ Vis	▪ Screw	▪ Schraube	▪ Tornillo	8
-	NC / NS	▪ Tirant	▪ Tie-rod, connecting	▪ Stehbolzen	▪ Tirante	4
16	905 120 913	Raccord coudé 1/4G - T 8x10	Elbow connector 1/4G - T 8x10	Winkel Sreknippel 1/4G - T 8x10	Racor acodado 1/4G - T 8x10	1

**Pièces spécifiques - Specific parts - Spezifische Teile - Partes específicas**

**Mod. EOS 15-C25 AIRMIX® (M 26x125 / M 26x1,25 AG)**

Ind	#	Désignation	Description	Bezeichnung	Denominación	Qté
1	NC / NS	▪ Moteur 245-4 (voir Doc. 573.435.050)	▪ Air motor, model 245-4 (refer to Doc. 573.435.050)	▪ Luftmotor, Modell 245-4 (Siehe Dok. 573.435.050)	▪ Motor, tipo 245-4 (Consultar Doc. 573.435.050)	1
*2a	144 130 200	▪ Hydraulique EOS C-25 (Entrée produit M 26x125) (voir Doc. 573.434.050)	▪ Fluid section, model EOS C-25 (Material inlet M 26x125) (refer to Doc. 573.434.050)	▪ Hydraulikteil, Modell EOS C-25 (Materialeingang M 26x1,25 AG) (Siehe Dok. 573.434.050)	▪ Hidráulica, tipo EOS C-25 (Entrada producto M 26x125) (Consultar Doc. 573.434.050)	1
*14	151 140 050	<b>Equipement d'air (voir Doc. 573.436.050)</b>	<b>Air supply (refer to Doc. 573.436.050)</b>	<b>Luftausrüstung (Siehe Dok. 573.436.050)</b>	<b>Equipo de aire (consultar Doc. 573.436.050)</b>	1

**Mod. EOS 15-C25 AIRMIX® (F 1/2 G / IG 1/2" G / H 1/2 G)**

Ind	#	Désignation	Description	Bezeichnung	Denominación	Qté
1	NC / NS	▪ Moteur 245-4 (voir Doc. 573.435.050)	▪ Air motor, model 245-4 (refer to Doc. 573.435.050)	▪ Luftmotor, Modell 245-4 (Siehe Dok. 573.435.050)	▪ Motor, tipo 245-4 (Consultar Doc. 573.435.050)	1
*2b	144 130 250	▪ Hydraulique EOS C-25 (Entrée produit F 1/2 G) (voir Doc. 573.434.050)	▪ Fluid section, model EOS C-25 (Material inlet F 1/2 G) (refer to Doc. 573.434.050)	▪ Hydraulikteil, Modell EOS C-25 (Materialeingang IG 1/2" G) (Siehe Dok. 573.434.050)	▪ Hidráulica, tipo EOS C-25 (Entrada producto H 1/2 G) (Consultar Doc. 573.434.050)	1
*14	151 140 050	<b>Equipement d'air (voir Doc. 573.436.050)</b>	<b>Air supply (refer to Doc. 573.436.050)</b>	<b>Luftausrüstung (Siehe Dok. 573.436.050)</b>	<b>Equipo de aire (consultar Doc. 573.436.050)</b>	1

**Mod. EOS 15-C25 MB-A AIRMIX® (M 26x125 / M 26x1,25 AG)**

Ind	#	Désignation	Description	Bezeichnung	Denominación	Qté
1	NC / NS	▪ Moteur 245-4 (voir Doc. 573.435.050)	▪ Air motor, model 245-4 (refer to Doc. 573.435.050)	▪ Luftmotor, Modell 245-4 (Siehe Dok. 573.435.050)	▪ Motor, tipo 245-4 (Consultar Doc. 573.435.050)	1
*2c	NC / NS	▪ Hydraulique EOS C-25 MB-A (Entrée produit M 26x125) (voir Doc. 573.434.050)	▪ Fluid section, model EOS C-25 MB-A (Material inlet M 26x125) (refer to Doc. 573.434.050)	▪ Hydraulikteil, Modell EOS C-25 MB-A (Materialeingang M 26x1,25 AG) (Siehe Dok. 573.434.050)	▪ Hidráulica, tipo EOS C-25 MB-A (Entrada producto M 26x125) (Consultar Doc. 573.434.050)	1
*14	151 140 050	<b>Equipement d'air (voir Doc. 573.436.050)</b>	<b>Air supply (refer to Doc. 573.436.050)</b>	<b>Luftausrüstung (Siehe Dok. 573.436.050)</b>	<b>Equipo de aire (consultar Doc. 573.436.050)</b>	1

**Mod. EOS 15-C25 MB-A AIRMIX® (F 1/2 G / IG 1/2" G / H 1/2 G)**

Ind	#	Désignation	Description	Bezeichnung	Denominación	Qté
1	NC / NS	▪ Moteur 245-4 (voir Doc. 573.435.050)	▪ Air motor, model 245-4 (refer to Doc. 573.435.050)	▪ Luftmotor, Modell 245-4 (Siehe Dok. 573.435.050)	▪ Motor, tipo 245-4 (Consultar Doc. 573.435.050)	1
*2d	NC / NS	▪ Hydraulique EOS C-25 MB-A (Entrée produit F 1/2 G) (voir Doc. 573.434.050)	▪ Fluid section, model EOS C-25 MB-A (Material inlet F 1/2 G) (refer to Doc. 573.434.050)	▪ Hydraulikteil, Modell EOS C-25 MB-A (Materialeingang IG 1/2" G) (Siehe Dok. 573.434.050)	▪ Hidráulica, tipo EOS C-25 MB-A (Entrada producto H 1/2 G) (Consultar Doc. 573.434.050)	1
*14	151 140 050	<b>Equipement d'air (voir Doc. 573.436.050)</b>	<b>Air supply (refer to Doc. 573.436.050)</b>	<b>Luftausrüstung (Siehe Dok. 573.436.050)</b>	<b>Equipo de aire (consultar Doc. 573.436.050)</b>	1

**Mod. EOS 30-C25 AIRMIX® (M 26x125 / M 26x1,25 AG)**

Ind	#	Désignation	Description	Bezeichnung	Denominación	Qté
1	NC / NS	▪ Moteur 420-4 (voir Doc. 573.435.050)	▪ Air motor, model 420-4 (refer to Doc. 573.435.050)	▪ Luftmotor, Modell 420-4 (Siehe Dok. 573.435.050)	▪ Motor, tipo 420-4 (Consultar Doc. 573.435.050)	1
*2a	144 130 200	▪ Hydraulique EOS C-25 (Entrée produit M 26x125) (voir Doc. 573.434.050)	▪ Fluid section, model EOS C-25 (Material inlet M 26x125) (refer to Doc. 573.434.050)	▪ Hydraulikteil, Modell EOS C-25 (Materialeingang M 26x1,25 AG) (Siehe Dok. 573.434.050)	▪ Hidráulica, tipo EOS C-25 (Entrada producto M 26x125) (Consultar Doc. 573.434.050)	1
*14	151 140 050	<b>Equipement d'air (voir Doc. 573.436.050)</b>	<b>Air supply (refer to Doc. 573.436.050)</b>	<b>Luftausrüstung (Siehe Dok. 573.436.050)</b>	<b>Equipo de aire (consultar Doc. 573.436.050)</b>	1

**Mod. EOS 30-C25 MB-A AIRMIX® (M 26x125 / M 26x1,25 AG)**

Ind	#	Désignation	Description	Bezeichnung	Denominación	Qté
1	NC / NS	▪ Moteur 420-4 (voir Doc. 573.435.050)	▪ Air motor, model 420-4 (refer to Doc. 573.435.050)	▪ Luftmotor, Modell 420-4 (Siehe Dok. 573.435.050)	▪ Motor, tipo 420-4 (Consultar Doc. 573.435.050)	1
*2c	NC / NS	▪ Hydraulique EOS C-25 MB-A (Entrée produit M 26x125) (voir Doc. 573.434.050)	▪ Fluid section, model EOS C-25 MB-A (Material inlet M 26x125) (refer to Doc. 573.434.050)	▪ Hydraulikteil, Modell EOS C-25 MB-A (Materialeingang M 26x1,25 AG) (Siehe Dok. 573.434.050)	▪ Hidráulica, tipo EOS C-25 MB-A (Entrada producto M 26x125) (Consultar Doc. 573.434.050)	1
*14	151 140 050	<b>Equipement d'air (voir Doc. 573.436.050)</b>	<b>Air supply (refer to Doc. 573.436.050)</b>	<b>Luftausrüstung (Siehe Dok. 573.436.050)</b>	<b>Equipo de aire (consultar Doc. 573.436.050)</b>	1

**Mod. EOS 30-C25 AIRMIX® (F 1/2 G / IG 1/2" G / H 1/2 G)**

Ind	#	Désignation	Description	Bezeichnung	Denominación	Qté
1	NC / NS	▪ Moteur 420-4 (voir Doc. 573.435.050)	▪ Air motor, model 420-4 (refer to Doc. 573.435.050)	▪ Luftmotor, Modell 420-4 (Siehe Dok. 573.435.050)	▪ Motor, tipo 420-4 (Consultar Doc. 573.435.050)	1
*2b	144 130 250	▪ Hydraulique EOS C-25 (Entrée produit F 1/2 G) (voir Doc. 573.434.050)	▪ Fluid section, model EOS C-25 (Material inlet F 1/2 G) (refer to Doc. 573.434.050)	▪ Hydraulikteil, Modell EOS C-25 (Materialeingang IG 1/2 G) (Siehe Dok. 573.434.050)	▪ Hidráulica, tipo EOS C-25 (Entrada producto H 1/2 G) (Consultar Doc. 573.434.050)	1
*14	151 140 050	<b>Equipement d'air (voir Doc. 573.436.050)</b>	<b>Air supply (refer to Doc. 573.436.050)</b>	<b>Luftausrüstung (Siehe Dok. 573.436.050)</b>	<b>Equipo de aire (consultar Doc. 573.436.050)</b>	1

**Mod. EOS 30-C25 MB-A AIRMIX® (F 1/2 G / IG 1/2" G / H 1/2 G)**

Ind	#	Désignation	Description	Bezeichnung	Denominación	Qté
1	NC / NS	▪ Moteur 420-4 (voir Doc. 573.435.050)	▪ Air motor, model 420-4 (refer to Doc. 573.435.050)	▪ Luftmotor, Modell 420-4 (Siehe Dok. 573.435.050)	▪ Motor, tipo 420-4 (Consultar Doc. 573.435.050)	1
*2d	NC / NS	▪ Hydraulique EOS C-25 MB-A (Entrée produit F 1/2 G) (voir Doc. 573.434.050)	▪ Fluid section, model EOS C-25 MB-A (Material inlet F 1/2 G) (refer to Doc. 573.434.050)	▪ Hydraulikteil, Modell EOS C-25 MB-A (Materialeingang IG 1/2" G) (Siehe Dok. 573.434.050)	▪ Hidráulica, tipo EOS C-25 MB-A (Entrada producto H 1/2 G) (Consultar Doc. 573.434.050)	1
*14	151 140 050	<b>Equipement d'air (voir Doc. 573.436.050)</b>	<b>Air supply (refer to Doc. 573.436.050)</b>	<b>Luftausrüstung (Siehe Dok. 573.436.050)</b>	<b>Equipo de aire (consultar Doc. 573.436.050)</b>	1

**Mod. EOS 30-C25 AIRLESS**

<b>Ind</b>	<b>#</b>	<b>Désignation</b>	<b>Description</b>	<b>Bezeichnung</b>	<b>Denominación</b>	<b>Qté</b>
1	NC / NS	▪ Moteur 420-4 (voir Doc. 573.435.050)	▪ Air motor, model 420-4 (refer to Doc. 573.435.050)	▪ Luftmotor, Modell 420-4 (Siehe Dok. 573.435.050)	▪ Motor, tipo 420-4 (Consultar Doc. 573.435.050)	1
*2a	144 130 200	▪ Hydraulique EOS C-25 (Entrée produit M 26x125) (voir Doc. 573.434.050)	▪ Fluid section, model EOS C-25 (Material inlet M 26x125) (refer to Doc. 573.434.050)	▪ Hydraulikteil, Modell EOS C-25 (Materialeingang M 26x1,25 AG) (Siehe Dok. 573.434.050)	▪ Hidráulica, tipo EOS C-25 (Entrada producto M 26x125) (Consultar Doc. 573.434.050)	1
*15	151 140 060	<b>Equipement d'air (voir Doc. 573.436.050)</b>	<b>Air supply (refer to Doc. 573.436.050)</b>	<b>Luftausrüstung (Siehe Dok. 573.436.050)</b>	<b>Equipo de aire (consultar Doc. 573.436.050)</b>	1

<b>POMPE MURALE AIRMIX®, modèle EOS 15-C25 avec canne d'aspiration Ø 16</b>	<b>AIRMIX® WALL MOUNTED PUMP, model EOS 15-C25 with suction rod Ø 16</b>	<b>#</b>
<b>WANDANLAGE AIRMIX®, Modell EOS 15-C25 mit Saugschlauch Ø 16</b>	<b>BOMBA MURAL AIRMIX®, tipo EOS 15-C25 con caña de aspiración Ø 16</b>	<b>151.140.100</b>

<b>POMPE MURALE AIRMIX®, modèle EOS 15-C25 MB-A avec canne d'aspiration Ø 16 (Entrée produit M 26x125)</b>	<b>AIRMIX® WALL MOUNTED PUMP, model EOS 15-C25 MB-A with suction rod Ø 16 (Material inlet M 26x125)</b>	<b>#</b>
<b>WANDANLAGE AIRMIX®, Modell EOS 15-C25 MB-A mit Saugschlauch Ø 16 (Materialeingang M 26x1,25 AG)</b>	<b>BOMBA MURAL AIRMIX®, tipo EOS 15-C25 MB-A con caña de aspiración Ø 16 (Entrada producto M 26x125)</b>	<b>151.140.500</b>

<b>POMPE MURALE AIRMIX®, modèle EOS 30-C25 avec canne d'aspiration Ø 16</b>	<b>AIRMIX® WALL MOUNTED PUMP, model EOS 30-C25 with suction rod Ø 16</b>	<b>#</b>
<b>WANDANLAGE AIRMIX®, Modell EOS 30-C25 mit Saugschlauch Ø 16</b>	<b>BOMBA MURAL AIRMIX®, tipo EOS 30-C25 con caña de aspiración Ø 16</b>	<b>151.145.100</b>

<b>POMPE MURALE AIRMIX®, modèle EOS 30-C25 avec canne d'aspiration Ø 25</b>	<b>AIRMIX® WALL MOUNTED PUMP, model EOS 30-C25 with suction rod Ø 25</b>	<b>#</b>
<b>WANDANLAGE AIRMIX®, Modell EOS 30-C25 mit Saugschlauch Ø 25</b>	<b>BOMBA MURAL AIRMIX®, tipo EOS 30-C25 con caña de aspiración Ø 25</b>	<b>151.145.150</b>

**Pièces spécifiques - Specific parts - Spezifische Teile - Partes específicas**

**Mod. EOS 15-C25 AIRMIX®**

Ind	#	Désignation	Description	Bezeichnung	Denominación	Qté
-	151 140 000	Pompe murale Airmix® 15-C25	Airmix® wall mounted pump, model 15-C25	Airmix® Wandpumpe 15-C25	Bomba mural Airmix®, tipo 15-C25	1
17	149 596 050	Canne d'aspiration Ø 16	Suction rod Ø 16	Saugschlauch Ø 16	Caña de aspiración Ø 16	1

**Mod. EOS 15-C25 MB-A AIRMIX®**

Ind	#	Désignation	Description	Bezeichnung	Denominación	Qté
-	151 140 400	Pompe murale Airmix® 15-C25 MB-A	Airmix® wall mounted pump, model 15-C25 MB-A	Airmix® Wandpumpe 15-C25 MB-A	Bomba mural Airmix®, tipo 15-C25 MB-A	1
17	149 596 050	Canne d'aspiration Ø 16	Suction rod Ø 16	Saugschlauch Ø 16	Caña de aspiración Ø 16	1



**Mod. EOS 30-C25 AIRMIX®**

<b>Ind</b>	<b>#</b>	<b>Désignation</b>	<b>Description</b>	<b>Bezeichnung</b>	<b>Denominación</b>	<b>Qté</b>
-	151 145 000	Pompe murale Airmix® 30-C25	Airmix® wall mounted pump, model 30-C25	Airmix® Wandpumpe 30-C25	Bomba mural Airmix®, tipo 30-C25	1
17	149 596 050	Canne d'aspiration Ø 16	Suction rod Ø 16	Saugschlauch Ø 16	Caña de aspiración Ø 16	1
18	149 596 150	Canne d'aspiration Ø 25	Suction rod Ø 25	Saugschlauch Ø 25	Caña de aspiración Ø 25	1

<b>POMPE MURALE AIRMIX®, modèle EOS 15-C25 avec canne d'aspiration Ø 16 et équipement d'air pour pompe EOS Airless</b>	<b>AIRMIX® WALL MOUNTED PUMP, model EOS 15-C25 with suction rod Ø 16 and air supply for Airless EOS pump</b>	<b>#</b>
<b>WANDANLAGE AIRMIX®, Modell EOS 15-C25 mit Saugschlauch Ø 16 und Luftausrüstung für EOS Airless Pumpe</b>	<b>BOMBA MURAL AIRMIX®, tipo EOS 15-C25 con caña de aspiración Ø 16 y equipo de aire para bomba EOS Airless</b>	<b>151.140.300</b>

<b>Ind</b>	<b>#</b>	<b>Désignation</b>	<b>Description</b>	<b>Bezeichnung</b>	<b>Denominación</b>	<b>Qté</b>
-	151 140 000	Pompe murale Airmix® 15-C25	Airmix® wall mounted pump, model 15-C25	Airmix® Wandpumpe 15-C25	Bomba mural Airmix®, tipo 15-C25	1
*15	151 140 060	Equipement d'air (voir Doc. 573.436.050)	Air supply (refer to Doc. 573.436.050)	Luftausrüstung (Siehe Dok. 573.436.050)	Equipo de aire (consultar Doc. 573.436.050)	1
17	149 596 050	Canne d'aspiration Ø 16	Suction rod Ø 16	Saugschlauch Ø 16	Caña de aspiración Ø 16	1

<b>POMPE MURALE AIRMIX®,</b> modèle EOS 15-C25 avec canne d'aspiration Ø 16 et filtre produit Ø 3/8"	<b>AIRMIX® WALL MOUNTED PUMP,</b> model EOS 15-C25 with suction rod Ø 16 and fluid filter Ø 3/8"	#
<b>WANDANLAGE AIRMIX®,</b> Modell EOS 15-C25 mit Saugschlauch Ø 16 und Filter Ø 3/8"	<b>BOMBA MURAL AIRMIX®,</b> tipo EOS 15-C25 con caña de aspiración Ø 16 y filtro producto Ø 3/8"	151.140.150

<b>POMPE MURALE AIRMIX®,</b> modèle EOS 30-C25 avec canne d'aspiration Ø 16 et filtre produit Ø 3/8"	<b>AIRMIX® WALL MOUNTED PUMP,</b> model EOS 30-C25 with suction rod Ø 16 and fluid filter Ø 3/8"	#
<b>WANDANLAGE AIRMIX®,</b> Modell EOS 30-C25 mit Saugschlauch Ø 16 und Filter Ø 3/8"	<b>BOMBA MURAL AIRMIX®,</b> tipo EOS 30-C25 con caña de aspiración Ø 16 y filtro producto Ø 3/8"	151.145.200

<b>POMPE MURALE AIRMIX®,</b> modèle EOS 30-C25 avec canne d'aspiration Ø 25 et filtre produit Ø 3/8"	<b>AIRMIX® WALL MOUNTED PUMP,</b> model EOS 30-C25 with suction rod Ø 25 and fluid filter Ø 3/8"	#
<b>WANDANLAGE AIRMIX®,</b> Modell EOS 30-C25 mit Saugschlauch Ø 25 und Filter Ø 3/8"	<b>BOMBA MURAL AIRMIX®,</b> tipo EOS 30-C25 con caña de aspiración Ø 25 y filtro producto Ø 3/8"	151.145.250

<b>POMPE MURALE AIRMIX®,</b> modèle EOS 30-C25 MB-A avec canne d'aspiration Ø 25 et filtre produit Ø 3/8"	<b>AIRMIX® WALL MOUNTED PUMP,</b> model EOS 30-C25 MB-A with suction rod Ø 25 and fluid filter Ø 3/8"	#
<b>WANDANLAGE AIRMIX®,</b> Modell EOS 30-C25 MB-A mit Saugschlauch Ø 25 und Filter Ø 3/8"	<b>BOMBA MURAL AIRMIX®,</b> tipo EOS 30-C25 MB-A con caña de aspiración Ø 25 y filtro producto Ø 3/8"	151.145.600

<b>POMPE MURALE AIRLESS,</b> modèle EOS 30-C25 avec canne d'aspiration Ø 25 et filtre produit Ø 3/8"	<b>AIRLESS WALL MOUNTED PUMP,</b> model EOS 30-C25 with suction rod Ø 25 and fluid filter Ø 3/8"	#
<b>WANDANLAGE AIRLESS,</b> Modell EOS 30-C25 mit Saugschlauch Ø 25 und Filter Ø 3/8"	<b>BOMBA MURAL AIRLESS,</b> tipo EOS 30-C25 con caña de aspiración Ø 25 y filtro producto Ø 3/8"	151.145.300

**Pièces communes - Common parts - Gleiche Teile - Partes comunes**

Ind	#	Désignation	Description	Bezeichnung	Denominación	Qté
27	155 580 600	Filtre produit Ø 3/8" (voir Doc. 578.136.110)	Fluid filter, model Ø 3/8" (refer to Doc. 578.136.110)	Filter, Ø 3/8" (Siehe Dok. 578.136.110)	Filtro producto, tipo Ø 3/8" (consultar Doc. 578.136.110)	1

**Pièces spécifiques - Specific parts - Spezifische Teile - Partes específicas**

**Mod. EOS 15-C25 AIRMIX®**

Ind	#	Désignation	Description	Bezeichnung	Denominación	Qté
-	151 140 000	Pompe murale Airmix® 15-C25	Airmix® wall mounted pump, model 15-C25	Airmix® Wandpumpe 15-C25	Bomba mural Airmix®, tipo 15-C25	1
17	149 596 050	Canne d'aspiration Ø 16	Suction rod Ø 16	Saugschlauch Ø 16	Caña de aspiración Ø 16	1

**Mod. EOS 30-C25 AIRMIX®**

Ind	#	Désignation	Description	Bezeichnung	Denominación	Qté
-	151 145 000	Pompe murale Airmix® 30-C25	Airmix® wall mounted pump, model 30-C25	Airmix® Wandpumpe 30-C25	Bomba mural Airmix®, tipo 30-C25	1
17	149 596 050	Canne d'aspiration Ø 16	Suction rod Ø 16	Saugschlauch Ø 16	Caña de aspiración Ø 16	1
18	149 596 150	Canne d'aspiration Ø 25	Suction rod Ø 25	Saugschlauch Ø 25	Caña de aspiración Ø 25	1

**Mod. EOS 30-C25 MB-A AIRMIX®**

Ind	#	Désignation	Description	Bezeichnung	Denominación	Qté
-	151 145 400	Pompe murale Airmix® 30-C25 MB-A	Airmix® wall mounted pump, model 30-C25 MB-A	Airmix® Wandpumpe 30-C25 MB-A	Bomba mural Airmix®, tipo 30-C25 MB-A	1
18	149 596 150	Canne d'aspiration Ø 25	Suction rod Ø 25	Saugschlauch Ø 25	Caña de aspiración Ø 25	1

**Mod. EOS 30-C25 AIRLESS**

Ind	#	Désignation	Description	Bezeichnung	Denominación	Qté
-	151 145 050	Pompe murale Airless 30-C25	Airless wall mounted pump, model 30-C25	Airless Wandpumpe 30-C25	Bomba mural Airless, tipo 30-C25	1
18	149 596 150	Canne d'aspiration Ø 25	Suction rod Ø 25	Saugschlauch Ø 25	Caña de aspiración Ø 25	1

<b>KIT POMPE MURALE AIRMIX®, modèle EOS 15-C25 sans canne d'aspiration avec pistolet Airmix® Xcite - 120 bar avec raccord tournant</b>	<b>AIRMIX® WALL MOUNTED PUMP KIT, model EOS 15-C25 without suction rod with Airmix® Xcite gun - 120 bar / 1740 psi with swivel fitting</b>	#
<b>WANDANLAGE AIRMIX® KIT, Modell EOS 15-C25 ohne Saugschlauch mit Pistole Airmix® Xcite - 120 bar mit Drehgelenk</b>	<b>KIT BOMBA MURAL AIRMIX®, tipo EOS 15-C25 sin caña de aspiración con pistola Airmix® Xcite - 120 bar con racor giratorio</b>	<b>151.260.976</b>

<b>KIT POMPE MURALE AIRMIX®, modèle EOS 30-C25 sans canne d'aspiration avec pistolet Airmix® Xcite - 200 bar avec raccord tournant</b>	<b>AIRMIX® WALL MOUNTED PUMP KIT, model EOS 30-C25 without suction rod with Airmix® Xcite gun - 200 bar / 2900 psi with swivel fitting</b>	#
<b>WANDANLAGE AIRMIX® KIT, Modell EOS 30-C25 ohne Saugschlauch mit Pistole Airmix® Xcite - 200 bar mit Drehgelenk</b>	<b>KIT BOMBA MURAL AIRMIX®, tipo EOS 30-C25 sin caña de aspiración con pistola Airmix® Xcite - 200 bar con racor giratorio</b>	<b>151.260.977</b>

**Pièces communes - Common parts - Gleiche Teile - Partes comunes**

Ind	#	Désignation	Description	Bezeichnung	Denominación	Qté
-	050 382 114	Tuyau air (Ø 7x13 mm - Lg. 7,5 m - F 1/4 NPS)	Air hose (Ø 7x13 mm - 7,5 m / 24.6 ft length - F 1/4 NPS)	Luftschlauch (Ø 7x13mm - Länge 7,5m - IG 1/4 NPS)	Tubería de aire (Ø 7x13 mm - Longitud 7,5m - H 1/4 NPS)	1
-	129 270 087	Enveloppe de protection des tuyaux (lg. 10 m)	Protective hose sleeving (10 m / 33 ft long)	Schutzhülle für Schlauch (Länge 10 m)	Funda de protección de las tuberías (10 m de largo)	1

**Pièces spécifiques - Specific parts - Spezifische Teile - Partes específicas**

**Mod. EOS 15-C25 AIRMIX®**

Ind	#	Désignation	Description	Bezeichnung	Denominación	Qté
-	151 140 000	Pompe murale Airmix® 15-C25	Airmix® wall mounted pump, model 15-C25	Airmix® Wandpumpe 15-C25	Bomba mural Airmix®, tipo 15-C25	1
-	135 720 100	Pistolet Xcite 120 bar avec raccord tournant (voir Doc. 578.002.110)	Xcite gun, model 120 bar / 1740 psi with swivel fitting (refer to Doc. 578.002.110)	Pistole Xcite, 120 bar mit Drehgelenk (Siehe Dok. 578.002.110)	Pistola Xcite 120 bar con racor giratorio (consultar Doc. 578.002.110)	1
-	050 450 853	Tuyau AIRMIX® (Ø 4,8 mm - 1/2 JIC - Lg. 7,5 m - 120 bar)	AIRMIX® hose (Ø 4,8 mm / 3/16" - 1/2 JIC - 7,5 m / 24.6 ft length - 120 bar / 1740 psi)	AIRMIX® - Schlauch (Ø 4,8 mm - 1/2 JIC - Länge 7,5 m - 120 bar)	Tubería AIRMIX® (Ø 4,8 mm - 1/2 JIC - Longitud 7,5 m - 120 bar)	1

**Mod. EOS 30-C25 AIRMIX®**

Ind	#	Désignation	Description	Bezeichnung	Denominación	Qté
-	151 145 000	Pompe murale Airmix® 30-C25	Airmix® wall mounted pump, model 30-C25	Airmix® Wandpumpe 30-C25	Bomba mural Airmix®, tipo 30-C25	1
-	135 720 200	Pistolet Xcite 200 bar avec raccord tournant (voir Doc. 578.002.110)	Xcite gun, model 200 bar / 2900 psi with swivel fitting (refer to Doc. 578.002.110)	Pistole Xcite, 200 bar mit Drehgelenk (Siehe Dok. 578.002.110)	Pistola Xcite 200 bar con racor giratorio (consultar Doc. 578.002.110)	1
-	050 450 653	Tuyau AIRMIX® conducteur (Ø 4,8 mm - 1/2 JIC - Lg. 7,5 m - 240 bar)	AIRMIX® hose (Ø 4,8 mm / 3/16" - 1/2 JIC - 7,5 m / 24.6 ft length - 240 bar / 3480 psi)	AIRMIX® - Schlauch (Ø 4,8 mm - 1/2 JIC - Länge 7,5 m - 240 bar)	Tubería AIRMIX® (Ø 4,8 mm - 1/2 JIC - Longitud 7,5 m - 240 bar)	1

<b>KIT POMPE MURALE AIRMIX®, modèle EOS 15-C25 avec canne d'aspiration Ø 16 avec pistolet Airmix® Xcite - 120 bar avec raccord tournant</b>	<b>AIRMIX® WALL MOUNTED PUMP KIT, model EOS 15-C25 with suction rod Ø 16 with Airmix® Xcite gun - 120 bar / 1740 psi with swivel fitting</b>	<b>#</b>  <b>151.260.974</b>
<b>WANDANLAGE AIRMIX® KIT, Modell EOS 15-C25 mit Saugschlauch Ø 16 mit Pistole Airmix® Xcite - 120 bar mit Drehgelenk</b>	<b>KIT BOMBA MURAL AIRMIX®, tipo EOS 15-C25 con caña de aspiración Ø 16 con pistola Airmix® Xcite - 120 bar con racor giratorio</b>	

Ind	#	Désignation	Description	Bezeichnung	Denominación	Qté
-	151 140 000	Pompe murale Airmix® 15-C25	Airmix® wall mounted pump, model 15-C25	Airmix® Wandpumpe 15-C25	Bomba mural Airmix®, tipo 15-C25	1
17	149 596 050	Canne d'aspiration Ø 16	Suction rod Ø 16	Saugschlauch Ø 16	Caña de aspiración Ø 16	1
-	050 382 114	Tuyau air (Ø 7x13 mm - Lg. 7,5 m - F 1/4 NPS)	Air hose (Ø 7x13 mm - 7,5 m / 24.6 ft length - F 1/4 NPS)	Luftschlauch (Ø 7x13mm - Länge 7,5m - IG 1/4 NPS)	Tubería de aire (Ø 7x13 mm - Longitud 7,5m - H 1/4 NPS)	1
-	050 450 853	Tuyau AIRMIX® (Ø 4,8 mm - 1/2 JIC - Lg. 7,5 m - 120 bar)	AIRMIX® hose (Ø 4,8 mm / 3/16" - 1/2 JIC - 7,5 m / 24.6 ft length - 120 bar / 1740 psi)	AIRMIX® - Schlauch (Ø 4,8 mm - 1/2 JIC - Länge 7,5 m - 120 bar)	Tubería AIRMIX® (Ø 4,8 mm - 1/2 JIC - Longitud 7,5 m - 120 bar)	1
-	129 270 087	Enveloppe de protection des tuyaux (lg. 10 m)	Protective hose sleeving (10 m / 33 ft long)	Schutzhülle für Schlauch (Länge 10 m)	Funda de protección de las tuberías (10 m de largo)	1
-	135 720 100	Pistolet Xcite 120 bar avec raccord tournant (voir Doc. 578.002.110)	Xcite gun, model 120 bar / 1740 psi with swivel fitting (refer to Doc. 578.002.110)	Pistole Xcite, 120 bar mit Drehgelenk (Siehe Dok. 578.002.110)	Pistola Xcite 120 bar con racor giratorio (consultar Doc. 578.002.110)	1

<b>KIT POMPE MURALE AIRMIX®, modèle EOS 15-C25 avec canne d'aspiration Ø 16 et pistolet Airmix® Xcite - 120 bar sans raccord tournant</b>	<b>AIRMIX® WALL MOUNTED PUMP KIT, model EOS 15-C25 with suction rod Ø 16 and Airmix® Xcite gun - 120 bar / 1740 psi without swivel fitting</b>	<b>#</b>
<b>WANDANLAGE AIRMIX® KIT, Modell EOS 15-C25 mit Saugschlauch Ø 16 und Pistole Airmix® Xcite - 120 bar ohne Drehgelenk</b>	<b>KIT BOMBA MURAL AIRMIX®, tipo EOS 15-C25 con caña de aspiración Ø 16 y pistola Airmix® Xcite - 120 bar sin racor giratorio</b>	<b>151.261.001</b>

Ind	#	Désignation	Description	Bezeichnung	Denominación	Qté
-	151 140 000	Pompe murale Airmix® 15-C25	Airmix® wall mounted pump, model 15-C25	Airmix® Wandpumpe 15-C25	Bomba mural Airmix®, tipo 15-C25	1
17	149 596 050	Canne d'aspiration Ø 16	Suction rod Ø 16	Saugschlauch Ø 16	Caña de aspiración Ø 16	1
-	050 382 114	Tuyau air (Ø 7x13 mm - Lg. 7,5 m - F 1/4 NPS)	Air hose (Ø 7x13 mm - 7,5 m / 24.6 ft length - F 1/4 NPS)	Luftschlauch (Ø 7x13mm - Länge 7,5m - IG 1/4 NPS)	Tubería de aire (Ø 7x13 mm - Longitud 7,5m - H 1/4 NPS)	1
-	050 450 853	Tuyau AIRMIX® (Ø 4,8 mm - 1/2 JIC - Lg. 7,5 m - 120 bar)	AIRMIX® hose (Ø 4,8 mm / 3/16" - 1/2 JIC - 7,5 m / 24.6 ft length - 120 bar / 1740 psi)	AIRMIX® - Schlauch (Ø 4,8 mm - 1/2 JIC - Länge 7,5 m - 120 bar)	Tubería AIRMIX® (Ø 4,8 mm - 1/2 JIC - Longitud 7,5 m - 120 bar)	1
-	129 270 087	Enveloppe de protection des tuyaux (lg. 10 m)	Protective hose sleeving (10 m / 33 ft long)	Schutzhülle für Schlauch (Länge 10 m)	Funda de protección de las tuberías (10 m de largo)	1
-	135 720 120	Pistolet Xcite 120 bar sans raccord tournant (voir Doc. 578.002.110)	Xcite gun, model 120 bar / 1740 psi without swivel fitting (refer to Doc. 578.002.110)	Pistole Xcite, 120 bar ohne Drehgelenk (Siehe Dok. 578.002.110)	Pistola Xcite 120 bar sin racor giratorio (consultar Doc. 578.002.110)	1

<b>KIT POMPE MURALE AIRMIX®, modèle EOS 30-C25 avec canne d'aspiration Ø 16 avec pistolet Airmix® Xcite - 200 bar avec raccord tournant</b>	<b>AIRMIX® WALL MOUNTED PUMP KIT, model EOS 30-C25 with suction rod Ø 16 with Airmix® Xcite gun - 200 bar / 2900 psi with swivel fitting</b>	<b>#</b>
<b>WANDANLAGE AIRMIX® KIT, Modell EOS 30-C25 mit Saugschlauch Ø 16 mit Pistole Airmix® Xcite - 200 bar mit Drehgelenk</b>	<b>KIT BOMBA MURAL AIRMIX®, tipo EOS 30-C25 con caña de aspiración Ø 16 con pistola Airmix® Xcite - 200 bar con racor giratorio</b>	<b>151.260.975</b>

Ind	#	Désignation	Description	Bezeichnung	Denominación	Qté
-	151 145 000	Pompe murale Airmix® 30-C25	Airmix® wall mounted pump, model 30-C25	Airmix® Wandpumpe 30-C25	Bomba mural Airmix®, tipo 30-C25	1
-	050 382 114	Tuyau air (Ø 7x13 mm - Lg. 7,5 m - F 1/4 NPS)	Air hose (Ø 7x13 mm - 7,5 m / 24.6 ft length - F 1/4 NPS)	Luftschlauch (Ø 7x13mm - Länge 7,5m - IG 1/4 NPS)	Tubería de aire (Ø 7x13 mm - Longitud 7,5m - H 1/4 NPS)	1
-	050 450 653	Tuyau AIRMIX® conducteur (Ø 4,8 mm - 1/2 JIC - Lg. 7,5 m - 240 bar)	AIRMIX® hose (Ø 4,8 mm / 3/16" - 1/2 JIC - 7,5 m / 24.6 ft length - 240 bar / 3480 psi)	AIRMIX® - Schlauch (Ø 4,8 mm - 1/2 JIC - Länge 7,5 m - 240 bar)	Tubería AIRMIX® (Ø 4,8 mm - 1/2 JIC - Longitud 7,5 m - 240 bar)	1
-	129 270 087	Enveloppe de protection des tuyaux (lg. 10 m)	Protective hose sleeving (10 m / 33 ft long)	Schutzhülle für Schlauch (Länge 10 m)	Funda de protección de las tuberías (10 m de largo)	1
17	149 596 050	Canne d'aspiration Ø 16	Suction rod Ø 16	Saugschlauch Ø 16	Caña de aspiración Ø 16	1
-	135 720 200	Pistolet Xcite 200 bar avec raccord tournant (voir Doc. 578.002.110)	Xcite gun, model 200 bar / 2900 psi with swivel fitting (refer to Doc. 578.002.110)	Pistole Xcite, 200 bar mit Drehgelenk (Siehe Dok. 578.002.110)	Pistola Xcite 200 bar con racor giratorio (consultar Doc. 578.002.110)	1



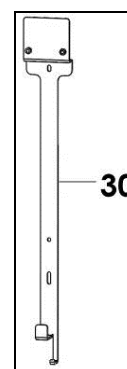
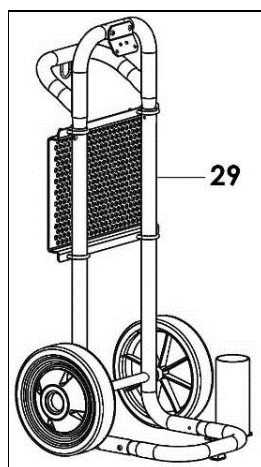
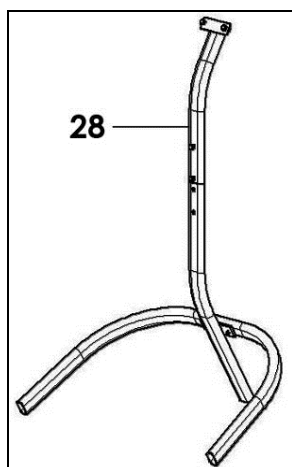
<b>KIT POMPE MURALE AIRMIX®, modèle EOS 30-C25 avec canne d'aspiration Ø 25 mit Pistole Airmix® Xcite - 200 bar sans raccord tournant</b>	<b>AIRMIX® WALL MOUNTED PUMP KIT, model EOS 30-C25 with suction rod Ø 25 with Airmix® Xcite gun - 200 bar / 2900 psi without swivel fitting</b>	<b>#</b>
<b>WANDANLAGE AIRMIX® KIT, Modell EOS 30-C25 mit Saugschlauch Ø 25 und Pistole Airmix® Xcite - 200 bar ohne Drehgelenk</b>	<b>KIT BOMBA MURAL AIRMIX®, tipo EOS 30-C25 con caña de aspiración Ø 25 y pistola Airmix® Xcite - 200 bar sin racor giratorio</b>	<b>151.261.002</b>

Ind	#	Désignation	Description	Bezeichnung	Denominación	Qté
-	151 145 000	Pompe murale Airmix® 30-C25	Airmix® wall mounted pump, model 30-C25	Airmix® Wandpumpe 30-C25	Bomba mural Airmix®, tipo 30-C25	1
-	050 382 114	Tuyau air (Ø 7x13 mm - Lg. 7,5 m - F 1/4 NPS)	Air hose (Ø 7x13 mm - 7,5 m / 24.6 ft length - F 1/4 NPS)	Luftschlauch (Ø 7x13mm - Länge 7,5m - IG 1/4 NPS)	Tubería de aire (Ø 7x13 mm - Longitud 7,5m - H 1/4 NPS)	1
-	050 450 653	Tuyau AIRMIX® conducteur (Ø 4,8 mm - 1/2 JIC - Lg. 7,5 m - 240 bar)	AIRMIX® hose (Ø 4,8 mm / 3/16" - 1/2 JIC - 7,5 m / 24.6 ft length - 240 bar / 3480 psi)	AIRMIX® - Schlauch (Ø 4,8 mm - 1/2 JIC - Länge 7,5 m - 240 bar)	Tubería AIRMIX® (Ø 4,8 mm - 1/2 JIC - Longitud 7,5 m - 240 bar)	1
-	129 270 087	Enveloppe de protection des tuyaux (lg. 10 m)	Protective hose sleeving (10 m / 33 ft long)	Schutzhülle für Schlauch (Länge 10 m)	Funda de protección de las tuberías (10 m de largo)	1
18	149 596 150	Canne d'aspiration Ø 25	Suction rod Ø 25	Saugschlauch Ø 25	Caña de aspiración Ø 25	1
-	135 720 220	Pistolet Xcite 200 bar sans raccord tournant (voir Doc. 578.002.110)	Xcite gun, model 200 bar / 2900 psi without swivel fitting (refer to Doc. 578.002.110)	Pistole Xcite, 200 bar ohne Drehgelenk (Siehe Dok. 578.002.110)	Pistola Xcite 200 bar sin racor giratorio (consultar Doc. 578.002.110)	1

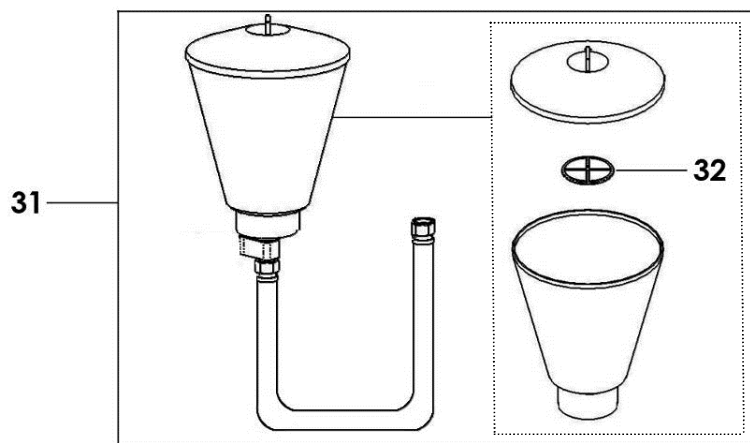
<b>KIT POMPE MURALE AIRMIX®, modèle EOS 30-C25 avec canne d'aspiration Ø 25, pistolet Airmix® Xcite - 200 bar avec raccord tournant et filtre produit Ø 3/8"</b>	<b>AIRMIX® WALL MOUNTED PUMP KIT, model EOS 30-C25 with suction rod Ø 25, gun Airmix® Xcite gun - 200 bar / 2900 psi with swivel fitting and fluid filter Ø 3/8"</b>	<b>#</b>
<b>WANDANLAGE AIRMIX® KIT, Modell EOS 30-C25 mit Saugschlauch Ø 25, Pistole Airmix® Xcite - 200 bar mit Drehgelenk und Filter Ø 3/8"</b>	<b>KIT BOMBA MURAL AIRMIX®, tipo EOS 30-C25 con caña de aspiración Ø 25, y pistola Airmix® Xcite - 200 bar con racor giratorio y filtro producto Ø 3/8"</b>	<b>151.260.978</b>

Ind	#	Désignation	Description	Bezeichnung	Denominación	Qté
-	151 145 000	Pompe murale Airmix® 30-C25	Airmix® wall mounted pump, model 30-C25	Airmix® Wandpumpe 30-C25	Bomba mural Airmix®, tipo 30-C25	1
-	050 382 114	Tuyau air (Ø 7x13 mm - Lg. 7,5 m - F 1/4 NPS)	Air hose (Ø 7x13 mm - 7,5 m / 24.6 ft length - F 1/4 NPS)	Luftschlauch (Ø 7x13mm - Länge 7,5m - IG 1/4 NPS)	Tubería de aire (Ø 7x13 mm - Longitud 7,5m - H 1/4 NPS)	1
-	050 450 653	Tuyau AIRMIX® conducteur (Ø 4,8 mm - 1/2 JIC - Lg. 7,5 m - 240 bar)	AIRMIX® hose (Ø 4,8 mm / 3/16" - 1/2 JIC - 7,5 m / 24.6 ft length - 240 bar / 3480 psi)	AIRMIX® - Schlauch (Ø 4,8 mm - 1/2 JIC - Länge 7,5 m - 240 bar)	Tubería AIRMIX® (Ø 4,8 mm - 1/2 JIC - Longitud 7,5 m - 240 bar)	1
-	129 270 087	Enveloppe de protection des tuyaux (lg. 10 m)	Protective hose sleeving (10 m / 33 ft long)	Schutzhülle für Schlauch (Länge 10 m)	Funda de protección de las tuberías (10 m de largo)	1
18	149 596 150	Canne d'aspiration Ø 25	Suction rod Ø 25	Saugschlauch Ø 25	Caña de aspiración Ø 25	1
-	135 720 200	Pistolet Xcite 200 bar avec raccord tournant (voir Doc. 578.002.110)	Xcite gun, model 200 bar / 2900 psi with swivel fitting (refer to Doc. 578.002.110)	Pistole Xcite, 200 bar mit Drehgelenk (Siehe Dok. 578.002.110)	Pistola Xcite 200 bar con racor giratorio (consultar Doc. 578.002.110)	1
27	155 580 600	Filtre produit Ø 3/8" (voir Doc. 578.136.110)	Fluid filter, model Ø 3/8" (refer to Doc. 578.136.110)	Filter, Ø 3/8" (Siehe Dok. 578.136.110)	Filtro producto, tipo Ø 3/8" (consultar Doc. 578.136.110)	1

OPTIONS - ON REQUEST - OPTIONEN - OPCIONES



Ind	#	Désignation	Description	Bezeichnung	Denominación	Qté
23	149 596 060	Canne d'aspiration Ø 16 pour fût 200L	Suction rod Ø 16 for drum, model 200L	Saugschlauch Ø 16 für 200L Fass	Caña de aspiración Ø 16 para bidón de 200L	1
24	149 596 160	Canne d'aspiration Ø 25 pour fût 200L	Suction rod Ø 25 for drum, model 200L	Saugschlauch Ø 25 für 200L Fass	Caña de aspiración Ø 25 para bidón de 200L	1
25	149 596 052	Crépine Ø 16	Strainer Ø 16	Siebkorb Ø 16	Piña Ø 16	1
26	149 596 152	Crépine Ø 25	Strainer Ø 25	Siebkorb Ø 25	Piña Ø 25	1
-	149 596 059	Lot de 10 cannes d'aspiration Ø 16 - Lg. 600 mm	Pack of 10 suction rods, model Ø 16 - Length : 600 mm / 23.6"	Satz mit 10 Saugschläuchen, Ø 16 - Länge: 600mm	Bolsa de 10 cañas de aspiración, tipo Ø 16 - 600 mm de largo	1
-	149 596 159	Lot de 10 cannes d'aspiration Ø 25 - Lg. 600 mm	Pack of 10 suction rods, model Ø 25 - Length : 600 mm / 23.6"	Satz mit 10 Saugschläuchen, Ø 25 - Länge: 600mm	Bolsa de 10 cañas de aspiración, tipo Ø 25 - 600 mm de largo	1
28	151 140 210	Trépied (voir Doc.578.048.110)	Tripod (refer to Doc. 578.048.110)	Dreibein Gestell (Siehe Dok. 578.048.110)	Trepie (consultar Doc. 578.048.110)	1
29	151 240 000	Chariot (voir Doc. 578.208.110)	Cart (refer to Doc. 578.208.110)	Fahrgestell (Siehe Dok. 578.208.110)	Carretilla (consultar Doc. 578.208.110)	1
30	151 140 240	Totem (voir Doc. 578.062.110)	Totem (refer to Doc. 578.062.110)	Aufhängung (Siehe Dok. 578.062.110)	Totem (consultar Doc. 578.062.110)	1



Ind	#	Désignation	Description	Bezeichnung	Denominación	Qté
31	151 140 230	Godet gravité EOS 6 Litres	Gravity cup EOS 6 Liter / 1.6 US gal	Zulaufbehälter EOS 6 Liter	Bote de gravedad EOS 6 Litros	1
-	NC / NS	▪ Godet	▪ Cup	▪ Behälter	▪ Bote	1
-	NC / NS	▪ Adaptateur U	▪ U adapter	▪ U-Verbindung	▪ Adaptador U	1
32	151 890 399	Tamis de rechange 18 MESH (pochette de 2)	Screen, 18 MESH (pack of 2)	Ersatzsieb, 18 MESH (2 St.)	Tamiz de recambio 18 MESH (Bolsa de 2)	1

### ACCESSOIRES - ACCESSORIES - ZUBEHÖR - ACCESORIOS

Ind	#	Désignation	Description	Bezeichnung	Denominación	Qté
-	149 990 020	Flacon de lubrifiant T (125 ml)	T lubricant (125 ml / 4.4 oz)	Spülmittel T (125 ml)	Botella de lubricante T (125 ml)	1

\* Pièces de maintenance préconisées.

\* Preceding the index number denotes a suggested spare part.

\* Bezeichnete Teile sind empfohlene Ersatzteile.

\* Piezas de mantenimiento preventivas.

N C : Non commercialisé.

N S : Denotes parts are not serviceable.

N S : Bezeichnete Teile gibt es nicht einzeln, sondern nur komplett .

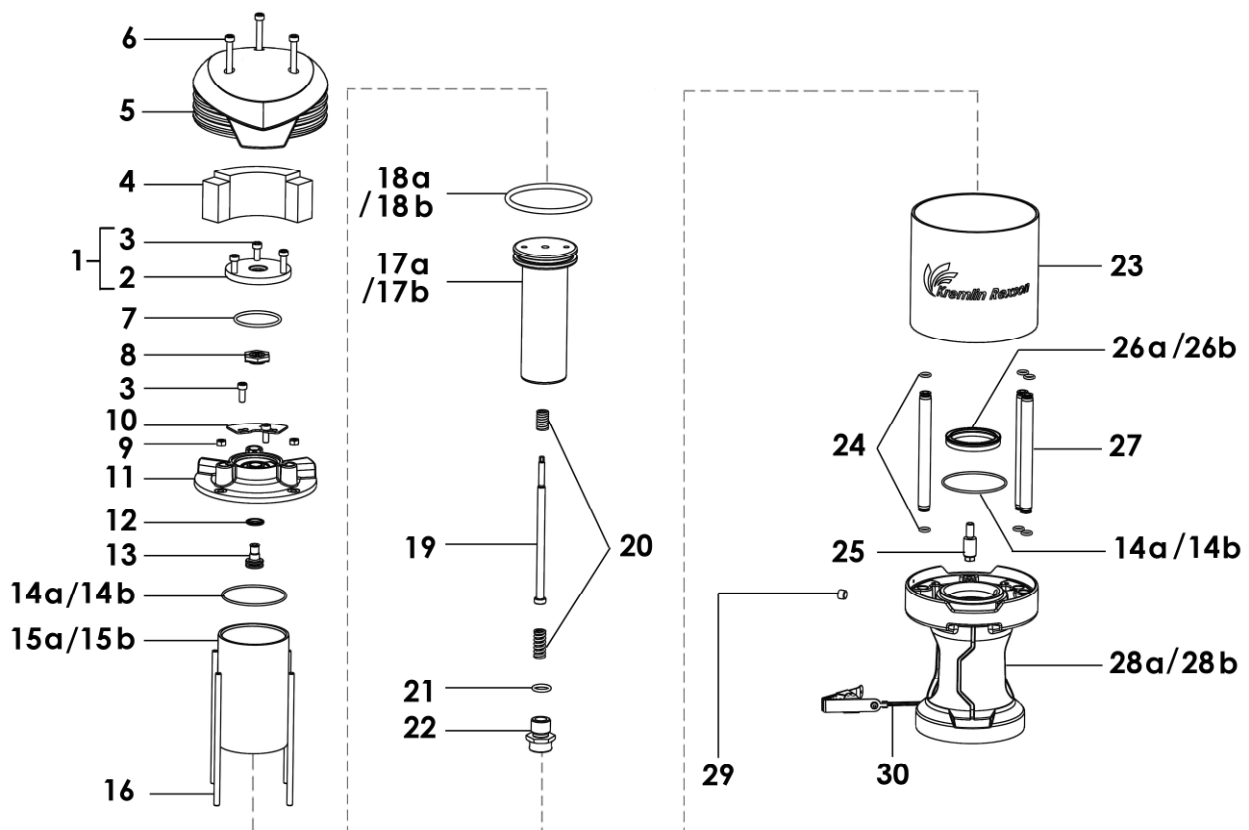
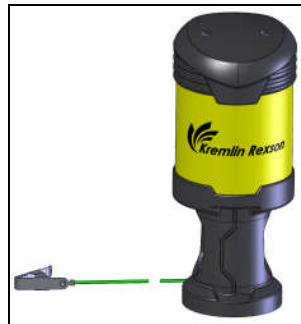
N S : no suministrado.



<b>Doc. 573.435.050</b> Date/Datum/Fecha : 03/09/15 Annule/Cancela/ Ersetzt/Anula : 12/11/13	<b>Modif. / Änderung :</b> Ind / Pos. 3 (Qté 3 -> 5), 14a & 14b (Qté 1 -> 2), 18a, 18b, 21	<b>Pièces de rechange</b> <b>Spare parts list</b> <b>Ersatzteilliste</b> <b>Piezas de repuesto</b>
---	--	---

<b>MOTEUR A AIR, modèle 245-4</b>	<b>AIR MOTOR, model 245-4</b>
<b>LUFTMOTOR, Modell 245-4</b>	<b>MOTOR DE AIRE, tipo 245-4</b>

<b>MOTEUR A AIR, modèle 420-4</b>	<b>AIR MOTOR, model 420-4</b>
<b>LUFTMOTOR, Modell 420-4</b>	<b>MOTOR DE AIRE, tipo 420-4</b>





**IMPORTANT** : Respecter le **couple de serrage de 8 Nm maxi** sur les écrous (9).  
Comply with the **maximum screwing torque of 8 Nm / 5.9 ft/lbs** on the nuts (9).  
Das **maximale Anziehdrehmoment** für die Muttern (9) **beträgt 8 Nm**.  
Cumplir con el par de apriete de **8 Nm maxi** en las tuercas (9).

Ind	#	Désignation	Description	Bezeichnung	Denominación	Qté
		<b>Pièces communes aux moteurs 245-4 et 420-4</b>	<b>Common parts to the air motors, model 245-4 and 420-4</b>	<b>Gleiche Teile für Motore 245-4 und 420-4</b>	<b>Partes comunes de los motores, tipo 245-4 y 420-4</b>	
*1	144 130 016	Couvercle équipé	Cover assembly	Deckel komplett	Tapa equipada	1
2	N C / N S	▪ Couvercle	▪ Cover	▪ Deckel	▪ Tapa	1
3	933 151 332	▪ Vis CHc 6x25	▪ Screw, model CHc 6x25	▪ Schraube CHc 6x25	▪ Tornillo, tipo CHc 6x25	5
4	144 130 011	Silencieux	Muffler	Schalldämpfer	Silenciador	1
*5	144 130 004	Cloche	Cover	Glocke	Campana	1
6	933 151 523	Vis CHc 6x45	Screw, model CHc 6x45	Schraube CHc 6x45	Tornillo, tipo CHc 6x45	3
7	909 420 220	Joint torique	Seal O-Ring,	O-Ring	Junta tórica	1
8	144 130 010	Clapet	Valve	Umsteuerventil	Válvula de aire	1
9	953 010 016	Ecrou HM6	Nut, model HM6	Mutter, HM6	Tuerca, tipo M6	4
10	144 130 024	Grille d'échappement	Exhaust grid	Abluftgitter	Cancela de escape	1
*11	144 130 003	Corps inverseur	Reversing body	Umschaltblock	Cuerpo inversor	1
12	909 210 501	Joint	Seal	Dichtring	Junta	1
13	144 130 008	Porte joint	Seal holder	O-Ring-Halter	Porta- junta	1
16	144 130 012	Tirant	Tie-rod	Bolzen	Tirante	4
19	144 130 006	Tige de commande assemblée	Control rod assembly	Steuerstange	Eje de mando equipado	1
*20	144 130 194	Ressort (par 2)	Spring (pack of 2)	Feder (2er Pack)	Muelle (x 2)	1
21	909 130 315	Joint torique R 13	Seal O-Ring, model R 13	Dichtring R 13	Junta tórica, tipo R 13	1
22	144 130 020	Vis accouplement	Coupling screw	Kupplungsschraube	Tornillo de acoplamiento	1
23	N C / N S	Virole	Muffler	Schallschutzhaube	Virola	1
24	000 940 120	Joint NBR noir	NBR seal (black)	Dichtring NBR (schwarz)	Junta NBR negra	6
25	144 130 023	Poignard	Pin	Stift	Eje	1
27	144 130 014	Tube d'alimentation	Tube, connecting	Verbindungsrohr	Tubo de alimentación	3
29	144 130 192	Bouchon (par 5)	Plug (pack of 5)	Blindstopfen (5er Satz)	Tapón (x 5)	1
30	901 180 024	Câble de mise à la terre (Lg. 5 m)	Cable, ground (Length : 5m / 16.4 ft)	Erdungskabel (Länge: 5m)	Cable de puesta a tierra (5m de largo)	1

Ind	#	Désignation	Description	Bezeichnung	Denominación	Qté
		<b>Pièces spécifiques au moteur 245-4</b>	<b>Specific parts to the air motor, model 245-4</b>	<b>Spezielle Teile für Luftmotor 245-4</b>	<b>Partes específicas al motor, tipo 245-4</b>	
14a	909 420 305	Joint cylindre	Seal, cylinder	Dichtring, Zylinder	Junta de cilindro	2
15a	144 140 002	Cylindre air	Air cylinder	Luftzylinder	Cilindro aire	1
17a	144 140 003	Piston air	Air piston	Luftkolben	Pistón aire	1
18a	909 130 438	Joint torique (piston air)	Seal O-Ring (air piston)	O-Ring (Luftkolben)	Junta tórica (pistón de aire)	1
26a	909 210 404	Joint U	U seal	U-Dichtring	Junta U	1
28a	144 140 001	Bride moteur	Motor flange	Motorflansch	Brida motor	1

Ind	#	Désignation	Description	Bezeichnung	Denominación	Qté
		<b>Pièces spécifiques au moteur 420-4</b>	<b>Specific parts to the air motor, model 420-4</b>	<b>Spezielle Teile für Luftmotor 420-4</b>	<b>Partes específicas al motor, tipo 420-4</b>	
14b	909 420 304	Joint cylindre	Seal, cylinder	Dichtring, Zylinder	Junta de cilindro	2
15b	144 130 009	Cylindre air	Air cylinder	Luftzylinder	Cilindro aire	1
17b	144 130 002	Piston air	Air piston	Luftkolben	Pistón aire	1
18b	909 130 447	Joint torique (piston air)	Seal O-Ring (air piston)	O-Ring (Luftkolben)	Junta tórica (pistón de aire)	1
26b	909 210 403	Joint U	U seal	U-Dichtring	Junta U	1
28b	144 130 001	Bride moteur	Motor flange	Motorflansch	Brida motor	1

Ind	#	Désignation	Description	Bezeichnung	Denominación	Qté
*	144 140 190	Pochette de maintenance - Moteur 245-4 (rep . 7, 8, 12, 14a, 18a, 20, 21, 24, 26a)	Servicing kit - Motor 245-4 (Ind . 7, 8, 12, 14a, 18a, 20, 21, 24, 26a)	Servicekit - Luftmotor 245-4 (Inhalt: Pos. 7, 8, 12, 14a, 18a, 20, 21, 24, 26a)	Bolsa de reparación - Motor, tipo 245-4 (índ. 7, 8, 12, 14a, 18a, 20, 21, 24, 26a)	1
*	144 130 190	Pochette de maintenance - Moteur 420-4 (rep . 7, 8, 12, 14b, 18b, 20, 21, 24, 26b)	Servicing kit - Motor 420-4 (Ind . 7, 8, 12, 14b, 18b, 20, 21, 24, 26b)	Servicekit - Luftmotor 420-4 (Inhalt: Pos. 7, 8, 12, 14b, 18b, 20, 21, 24, 26b)	Bolsa de reparación - Motor, tipo 420-4 (índ. 7, 8, 12, 14b, 18b, 20, 21, 24, 26b)	1
*	144 130 191	Kit inverseur (rep. 7, 8, 12, 13)	Reversing kit (ind. 7, 8, 12, 13)	Umsteuerkit (Inhalt: Pos. 7, 8, 12, 13)	Kit inversor (índ. 7, 8, 12, 13)	1

\* Pièces de maintenance préconisées.

\* Preceding the index number denotes a suggested spare part.

\* Bezeichnete Teile sind empfohlene Ersatzteile.

\* Piezas de mantenimiento preventivas.

N C : Non commercialisé.

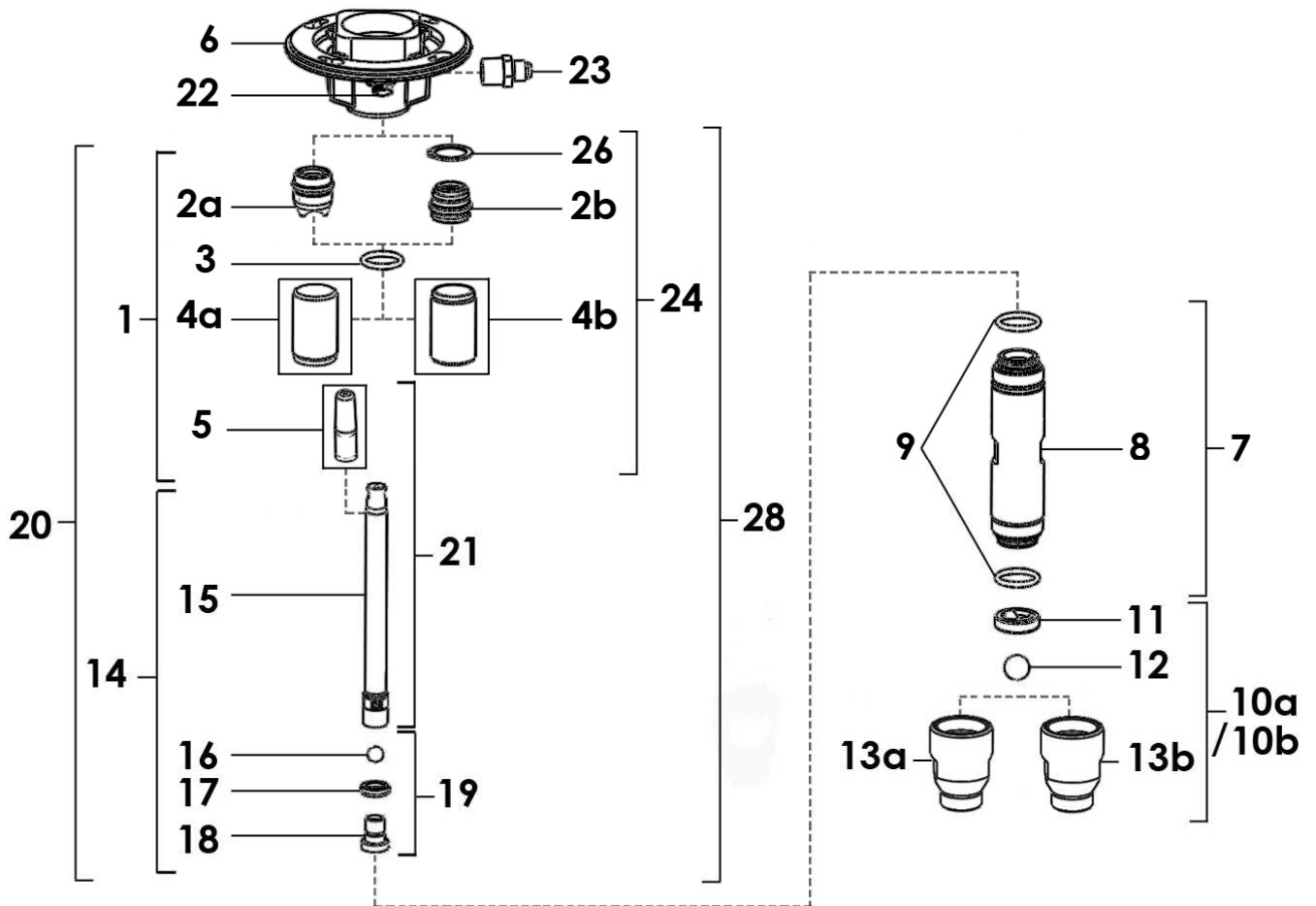
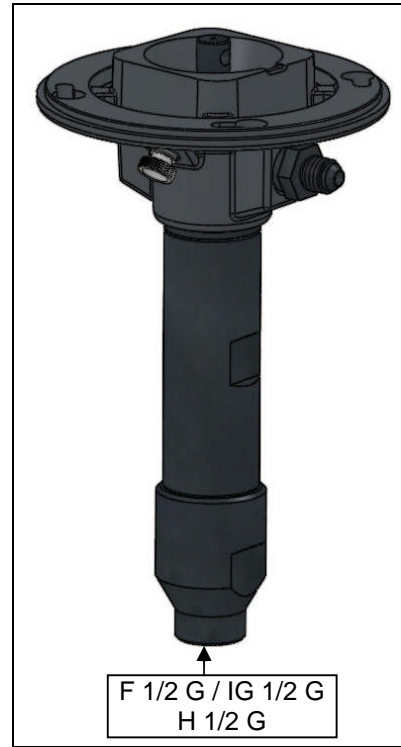
N S : Denotes parts are not serviceable.

N S : Bezeichnete Teile gibt es nicht einzeln, sondern nur komplett .

N S : no suministrado.







**Pièces communes - Common parts - Gleiche Teile - Partes comunes**

Ind	#	Désignation	Description	Bezeichnung	Denominación	Qté
6	144 130 294	Bride produit	Outlet flange	Ausgangsflansch	Brida salida	1
*7	144 130 202	<b>Cylindre (ind. 8) + joint (ind. 9)</b>	<b>Cylinder (ind. 8) + seal (ind. 9)</b>	<b>Materialzylinder (Pos. 8) mit O-Ring (Pos. 9)</b>	<b>Cilindro (índ. 8) + junta (índ. 9)</b>	1
8	144 130 296	▪ Cylindre	▪ Cylinder	▪ Materialzylinder	▪ Cilindro	1
9	150 040 315	▪ Joint torique PTFE (x 10)	▪ O Ring PTFE (x 10)	▪ O-Ring PTFE (Satz à 10 St.)	▪ Junta tórica PTFE (bolsa de 10)	2
*14	144 130 213	<b>Kit piston (ind. 15, 16, 17, 18)</b>	<b>Piston assembly (ind. 15, 16, 17, 18)</b>	<b>Kolben komplett (Pos. 15, 16, 17, 18)</b>	<b>Conjunto pistón (índ. 15, 16, 17, 18)</b>	1
*15	-	▪ Piston	▪ Piston	▪ Kolben	▪ Pistón	1
16	907 414 223	▪ Bille Ø 9,52, inox 440 C	▪ Ball, model Ø 9,52, (440 C stainless steel)	▪ Kugel Ø 9,52 Edelstahl	▪ Bola, tipo Ø 9,52 de inox 440 C	1
17	144 130 299	▪ Joint GT	▪ GT seal	▪ GT-Dichtung	▪ Junta GT	1
18	144 130 298	▪ Siège	▪ Seat	▪ Druckventilsitz	▪ Asiento	1
*19	144 130 204	<b>Kit clapet de refoulement (ind. 16, 17, 18)</b>	<b>Exhaust valve kit (ind. 16, 17, 18)</b>	<b>Druckventil Kit (Pos. 16, 17, 18)</b>	<b>Kit válvula de expulsión (índ. 16, 17, 18)</b>	1
*20	144 130 289	<b>Kit cartouche et piston (ind. 1, 14)</b>	<b>Cartridge and piston kit (ind. 1, 14)</b>	<b>Packung und kolben komplett (Pos. 1, 14)</b>	<b>Kit cartucho y pistón (índ. 1, 14)</b>	1
*21	144 130 292	<b>Kit piston (ind. 5, 15)</b>	<b>Piston kit (ind. 5, 15)</b>	<b>Kolben mit Montagekonus (Pos. 15, 5)</b>	<b>Kit pistón (índ. 5, 15)</b>	1
22	144 130 193	Bouchon de vidange (x 5)	Drain plug (x 5)	Entleerungsstopfen (x 5)	Tapón de vaciado (x 5)	1
23	905 210 503	Raccord inox M 3/8 NPT - M 1/2 JIC	Adaptor, stainless steel, double male, 3/8 NPT - # 5 JIC (1/2 JIC)	Doppelnippel Edelstahl AG 3/8 NPT - AG1/2 JIC	Racor de inox M 3/8 NPT - M 1/2 JIC	1
*	144 130 291	<b>Pochette de maintenance (rep. 9, 12, 16, 17)</b>	<b>Servicing kit (ind. 9, 12, 16, 17)</b>	<b>Wartungssatz (Pos. 9, 12, 16, 17)</b>	<b>Bolsa de reparación (índ. 9, 12, 16, 17)</b>	1

**Pièces spécifiques - Specific parts - Spezifische Teile - Partes específicas**

**Mod. EOS C25 (M 26x125 / M 26x1,25 AG)**

Ind	#	Désignation	Description	Bezeichnung	Denominación	Qté
*1	144 130 205	<b>Cartouche GT équipée</b>	<b>Cartridge kit</b>	<b>Packung komplett</b>	<b>Cartucho GT equipado</b>	1
2a	N C / N S	▪ Cartouche inox	▪ Cartridge (stainless steel)	▪ Packung Edelstahl	▪ Cartucho de inox	1
3	150 040 339	▪ Joint de cartouche (x 5)	▪ Seal (pack of 5)	▪ Dichtring (5 St.)	▪ Junta (bolsa de 5)	1
*4a	-	▪ Poussoir montage cartouche	▪ Cartridge installation tool	▪ Werkzeug zur Montage der Packung	▪ Herramienta para montaje cartucho	1
*5	-	▪ Flamme : outillage pour montage garniture	▪ Piston rod starter tool	▪ Konus zur Montage der Kolbenstange (15)	▪ Herramienta para montar guarnición	1
*10 a	144 130 208	<b>Clapet d'aspiration assemblé M 26x125 (ind. 11, 12, 13a)</b>	<b>Suction valve assembly M 26x125 (ind. 11, 12, 13a)</b>	<b>Ansaugventil komplett M 26 x 1,25 AG (Pos. 11, 12, 13a)</b>	<b>Válvula aspiración completa M 26x125 (índ. 11, 12, 13a)</b>	1
11	144 130 209	▪ Butée de levée de bille (x 4)	▪ Ball stop (x 4)	▪ Kugelanschlag (x 4)	▪ Tope de bola (x 4)	1
12	907 414 242	▪ Bille Ø 16 inox	▪ Ball Ø 16 (stainless steel)	▪ Kugel, Edelstahl Ø 16	▪ Bola Ø16 inox	1
13a	144 130 399	▪ Pied de pompe M 26x125	▪ Pump foot M 26x125	▪ Ansaugventil M 26 x 1,25 AG	▪ Pie de bomba M 26x125	1

**Mod. EOS C25 (F 1/2 G / IG 1/2" G / H 1/2 G)**

Ind	#	Désignation	Description	Bezeichnung	Denominación	Qté
*1	144 130 205	<b>Cartouche GT équipée</b>	<b>Cartridge kit</b>	<b>Packung komplett</b>	<b>Cartucho GT equipado</b>	1
2a	N C / N S	▪ Cartouche inox	▪ Cartridge (stainless steel)	▪ Packung Edelstahl	▪ Cartucho de inox	1
3	150 040 339	▪ Joint de cartouche (x 5)	▪ Seal (pack of 5)	▪ Dichtring (5 St.)	▪ Junta (bolsa de 5)	1
*4a	-	▪ Poussoir montage cartouche	▪ Cartridge installation tool	▪ Werkzeug zur Montage der Packung	▪ Herramienta para montaje cartucho	1
*5	-	▪ Flamme : outillage pour montage garniture	▪ Piston rod starter tool	▪ Konus zur Montage der Kolbenstange (15)	▪ Herramienta para montar guarnición	1
*10 b	144 855 710	<b>Clapet d'aspiration assemblé F 1/2 G (ind. 11, 12, 13b)</b>	<b>Suction valve assembly F 1/2 G (ind. 11, 12, 13b)</b>	<b>Ansaugventil komplett IG 1/2 G (Pos. 11, 12, 13b)</b>	<b>Válvula aspiración completa H 1/2 G (índ. 11, 12, 13b)</b>	1
11	044 931 003	▪ Cage de bille	▪ Ball cage	▪ Kugelkäfig	▪ Jaula de bola	1
12	907 414 242	▪ Bille Ø 16 inox	▪ Ball Ø 16 (stainless steel)	▪ Kugel, Edelstahl Ø 16	▪ Bola Ø16 inox	1
13b	NC / NS	▪ Pied de pompe F 1/2 G	▪ Pump foot F 1/2 G	▪ Ansaugventil IG 1/2 G	▪ Pie de bomba H 1/2 G	1

**Mod. EOS C25 MB-A (M 26x125 / M 26x1,25 AG)**

Ind	#	Désignation	Description	Bezeichnung	Denominación	Qté
*24	144 130 365	<b>Cartouche MB-A</b>	<b>MB-A cartridge</b>	<b>MB-A Packung</b>	<b>Cartucho MB-A</b>	1
2b	N C / N S	▪ Cartouche MB-A	▪ MB-A cartridge	▪ MB-A Packung	▪ Cartucho MB-A	1
3	150 040 339	▪ Joint de cartouche (x 5)	▪ Seal (pack of 5)	▪ Dichtring (5 St.)	▪ Junta (bolsa de 5)	1
*4b	-	▪ Poussoir montage cartouche	▪ Cartridge installation tool	▪ Werkzeug zur Montage der Packung	▪ Herramienta para montaje cartucho	1
*5	-	▪ Flamme : outillage pour montage garniture	▪ Piston rod starter tool	▪ Konus zur Montage der Kolbenstange (15)	▪ Herramienta para montar guarnición	1
26	902 202 115	▪ Bague de retenue Ø 24	▪ Stop ring Ø 24	▪ Sicherungsring Ø 24	▪ Anillo de retención Ø 24	1
*10 a	144 130 208	<b>Clapet d'aspiration assemblé M 26x125 (ind. 11, 12, 13a)</b>	<b>Suction valve assembly M 26x125 (ind. 11, 12, 13a)</b>	<b>Ansaugventil komplett M 26 x 1,25 AG (Pos. 11, 12, 13a)</b>	<b>Válvula aspiración completa M 26x125 (índ. 11, 12, 13a)</b>	1
11	144 130 209	▪ Butée de levée de bille (x 4)	▪ Ball stop (x 4)	▪ Kugelanschlag (x 4)	▪ Tope de bola (x 4)	1
12	907 414 242	▪ Bille Ø 16 inox	▪ Ball Ø 16 (stainless steel)	▪ Kugel, Edelstahl Ø 16	▪ Bola Ø16 inox	1
13a	144 130 399	▪ Pied de pompe M 26x125	▪ Pump foot M 26x125	▪ Ansaugventil M 26 x 1,25 AG	▪ Pie de bomba M 26x125	1

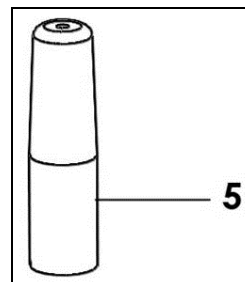
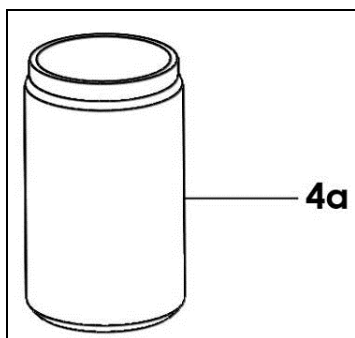
**Mod. EOS C25 MB-A (F 1/2 G / IG 1/2" G / H 1/2 G)**

Ind	#	Désignation	Description	Bezeichnung	Denominación	Qté
*24	144 130 365	<b>Cartouche MB-A</b>	<b>MB-A cartridge</b>	<b>MB-A Packung</b>	<b>Cartucho MB-A</b>	1
2b	N C / N S	▪ Cartouche MB-A	▪ MB-A cartridge	▪ MB-A Packung	▪ Cartucho MB-A	1
3	150 040 339	▪ Joint de cartouche (x 5)	▪ Seal (pack of 5)	▪ Dichtring (5 St.)	▪ Junta (bolsa de 5)	1
*4b	-	▪ Poussoir montage cartouche	▪ Cartridge installation tool	▪ Werkzeug zur Montage der Packung	▪ Herramienta para montaje cartucho	1
*5	-	▪ Flamme : outillage pour montage garniture	▪ Piston rod starter tool	▪ Konus zur Montage der Kolbenstange (15)	▪ Herramienta para montar guarnición	1
26	902 202 115	▪ Bague de retenue Ø 24	▪ Stop ring Ø 24	▪ Sicherungsring Ø 24	▪ Anillo de retención Ø 24	1
*10 b	144 855 710	<b>Clapet d'aspiration assemblé F 1/2 G (ind. 11, 12, 13b)</b>	<b>Suction valve assembly F 1/2 G (ind. 11, 12, 13b)</b>	<b>Ansaugventil komplett IG 1/2 G (Pos. 11, 12, 13b)</b>	<b>Válvula aspiración completa H 1/2 G (índ. 11, 12, 13b)</b>	1
11	044 931 003	▪ Cage de bille	▪ Ball cage	▪ Kugelkäfig	▪ Jaula de bola	1
12	907 414 242	▪ Bille Ø 16 inox	▪ Ball Ø 16 (stainless steel)	▪ Kugel, Edelstahl Ø 16	▪ Bola Ø16 inox	1
13b	NC / NS	▪ Pied de pompe F 1/2 G	▪ Pump foot F 1/2 G	▪ Ansaugventil IG 1/2 G	▪ Pie de bomba H 1/2 G	1

**OPTIONS - ON REQUEST - OPTIONEN - OPCIONES**

Ind	#	Désignation	Description	Bezeichnung	Denominación	Qté
*28	144 130 389	Kit piston et cartouche MB-A (ind. 2b, 4b, 5, 15, 16, 17, 18)	Piston assembly and MB-A cartridge (ind. 2b, 4b, 5, 15, 16, 17, 18)	Kolbeneinheit mit MB-A Packung (Pos. 2b, 4b, 5, 15, 16, 17, 18)	Conjunto pistón y cartucho MB-A (índ. 2b, 4b, 5, 15, 16, 17, 18)	1
2b	N C / N S	▪ Cartouche MB-A	▪ MB-A cartridge	▪ MB-A Packung	▪ Cartucho MB-A	1
*4b	-	▪ Poussoir montage cartouche	▪ Cartridge installation tool	▪ Werkzeug zur Montage der Packung	▪ Herramienta para montaje cartucho	1
*5	-	▪ Flamme : outillage pour montage garniture	▪ Piston rod starter tool	▪ Konus zur Montage der Kolbenstange (15)	▪ Herramienta para montar guarnición	1
*15	-	▪ Piston	▪ Piston	▪ Kolben	▪ Pistón	1
16	907 414 223	▪ Bille Ø 9,52, inox 440 C	▪ Ball, model Ø 9,52, (440 C stainless steel)	▪ Kugel Ø 9,52 Edelstahl	▪ Bola, tipo Ø 9,52 de inox 440 C	1
17	144 130 299	▪ Joint GT	▪ GT seal	▪ GT-Dichtung	▪ Junta GT	1
18	144 130 298	▪ Siège	▪ Seat	▪ Druckventilsitz	▪ Asiento	1

**ACCESSOIRES - ACCESSORIES - ZUBEHÖR - ACCESORIOS**



Ind	#	Désignation	Description	Bezeichnung	Denominación	Qté
*-	144 130 297	Kit outils (ind. 4a, 5)	Tool kit (ind. 4, 5)	Werkzeugsatz (Pos. 4, 5)	Kit herramienta (índ. 4, 5)	1

\* Pièces de maintenance préconisées.

\* Preceding the index number denotes a suggested spare part.

\* Bezeichnete Teile sind empfohlene Ersatzteile.

\* Piezas de mantenimiento preventivas.

N C : Non commercialisé.

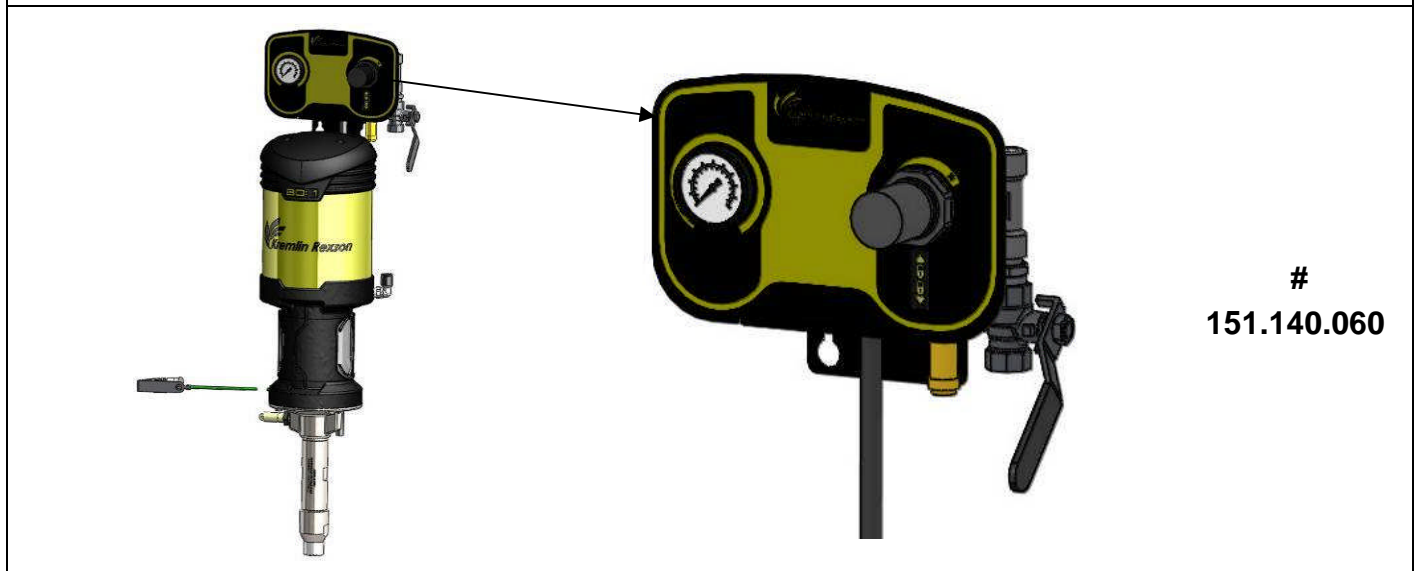
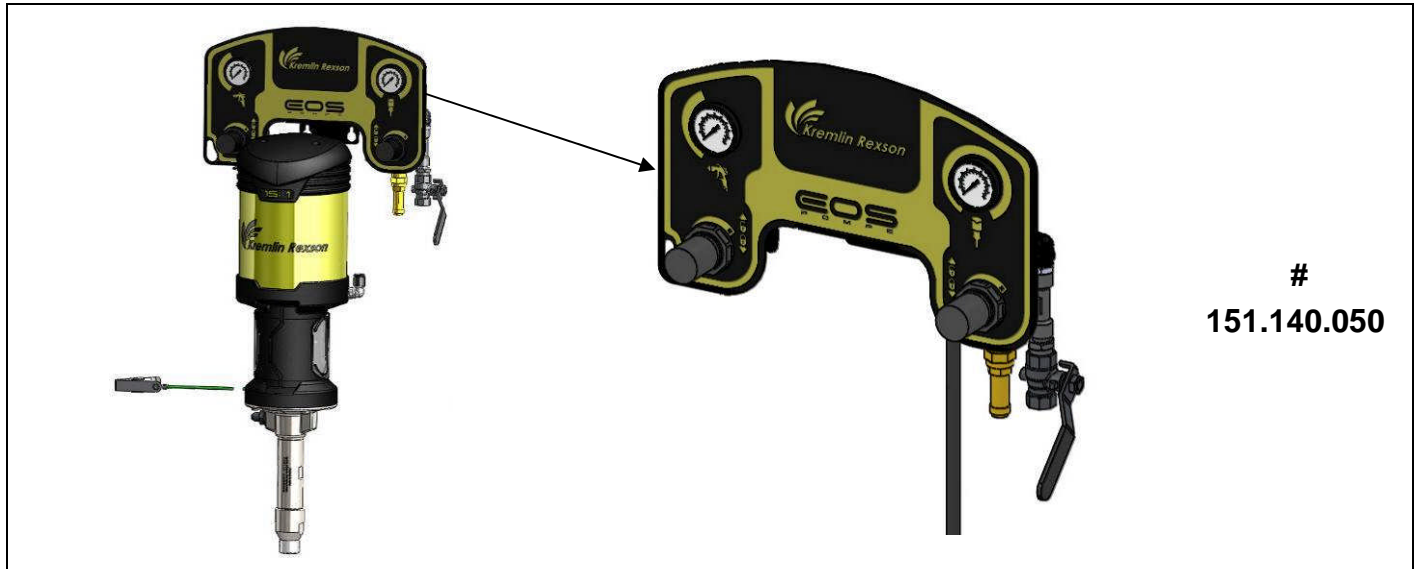
N S : Denotes parts are not serviceable.

N S : Bezeichnete Teile gibt es nicht einzeln, sondern nur komplett .

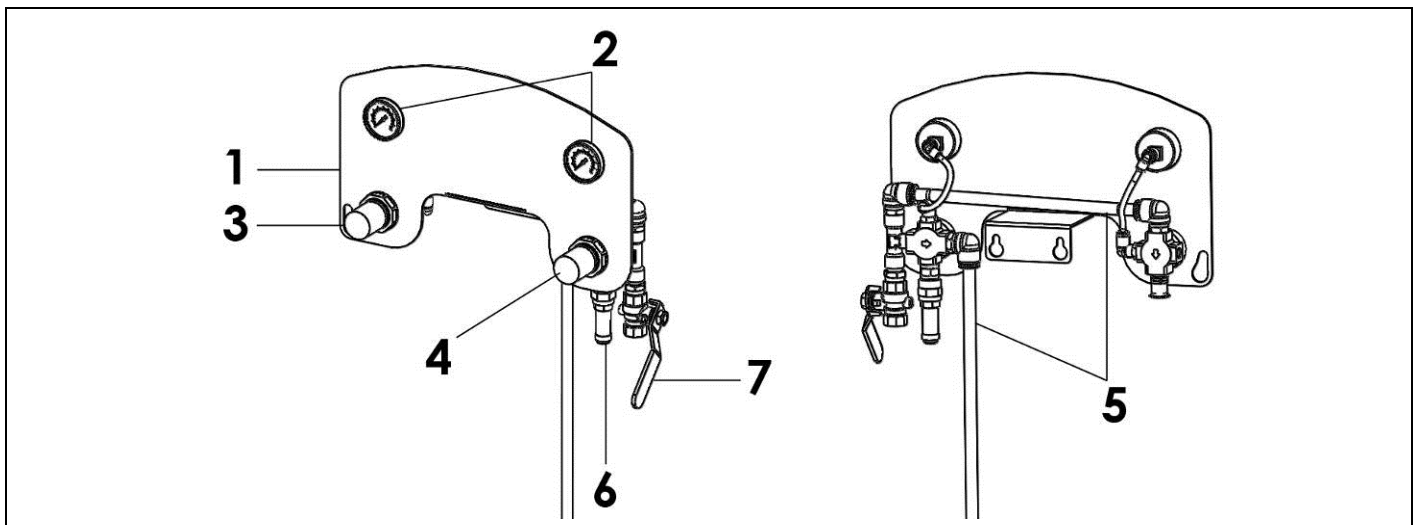
N S : no suministrado.

<b>Doc. 573.436.050</b> Date/Datum/Fecha : 19/11/13 Annule/Cancel/ Ersetzt/Anula : Doc. 578.119.110	<b>Modif. / Änderung :</b>	<b>Pièces de rechange</b> <b>Spare parts list</b> <b>Ersatzteilliste</b> <b>Piezas de repuesto</b>
--	----------------------------	---

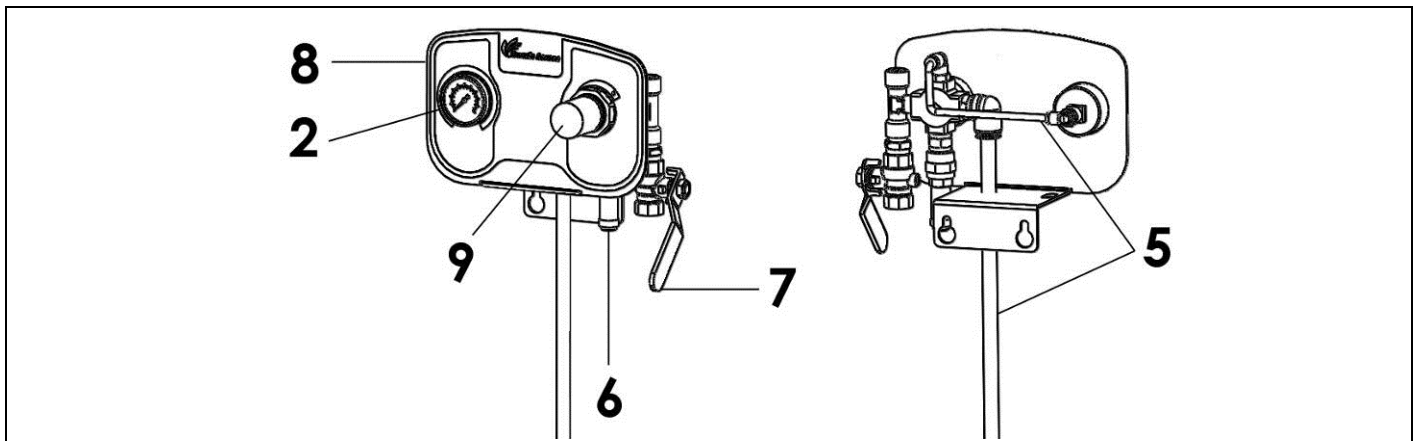
<b>EQUIPEMENT D'AIR</b>	<b>AIR SUPPLY</b>
<b>LUFTAUSRÜSTUNG</b>	<b>EQUIPO DE AIRE</b>



<b>EQUIPEMENT D'AIR POUR POMPE EOS AIRMIX®</b>	<b>AIR SUPPLY FOR AIRMIX® EOS PUMP</b>	<b>#</b>
<b>LUFTAUSRÜSTUNG FÜR EOS AIRMIX® PUMPE</b>	<b>EQUIPO DE AIRE PARA BOMBA EOS AIRMIX®</b>	<b>151.140.050</b>



<b>EQUIPEMENT D'AIR POUR POMPE EOS AIRLESS</b>	<b>AIR SUPPLY FOR AIRLESS EOS PUMP</b>	<b>#</b>
<b>LUFTAUSRÜSTUNG FÜR EOS AIRLESS PUMPE</b>	<b>EQUIPO DE AIRE PARA BOMBA EOS AIRLESS</b>	<b>151.140.060</b>



***Pièces communes - Common parts - Gleiche Teile - Partes comunes***

<b>Ind</b>	<b>#</b>	<b>Désignation</b>	<b>Description</b>	<b>Bezeichnung</b>	<b>Denominación</b>	<b>Qté</b>
2	910 011 205	Manomètre 0 - 6 bar	Gauge, model 0 - 6 bar / 0 - 87 psi	Manometer, 0-6 bar	Manómetro, tipo 0-6 bar	2
5	050 372 125	Tuyau 8 x 10 (lg. 0,25 m)	Hose, model 8 x 10 (length : 0.25 m / 10")	Schlauch 8 x 10 (Länge : 0,25 m)	Tubería, tipo 8 x 10 (0,25 m de largo)	1
6	903 080 401	Soupage de décharge	Discharge valve	Sicherheitsventil	Válvula de descarga	1
7	903 090 209	Robinet F 3/8	Valve, model F 3/8	Absperrhahn, F 3/8	Grifo, tipo H 3/8	1

**Pièces spécifiques - Specific parts - Spezifische Teile - Partes específicas**

**Mod. EOS AIRMIX®**

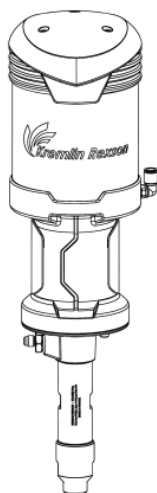
Ind	#	Désignation	Description	Bezeichnung	Denominación	Qté
1	151 140 055	Support équipement d'air	Bracket, air supply	Lufteinheithalterung	Soporte del equipo de aire	1
3	151 140 051	Détendeur d'air 1/4 (pistolet)	Air regulator, model 1/4 (gun)	Druckminderer, 1/4 (Pistole)	Manorreductor de aire, tipo 1/4 (pistola)	1
4	151 140 052	Détendeur d'air 1/4 (pompe)	Air regulator, model 1/4 (pump)	Druckminderer, 1/4 (Pumpe)	Manorreductor de aire, tipo 1/4 (bomba)	1

**Mod. EOS AIRLESS**

Ind	#	Désignation	Description	Bezeichnung	Denominación	Qté
8	151 140 061	Support équipement d'air	Bracket, air supply	Lufteinheithalterung	Soporte del equipo de aire	1
9	151 140 057	Détendeur d'air 1/4 (pompe)	Air regulator, model 1/4 (pump)	Druckminderer, 1/4 (Pumpe)	Manorreductor de aire, tipo 1/4 (bomba)	1

- \* Pièces de maintenance préconisées.
- \* Preceding the index number denotes a suggested spare part.
- \* Bezeichnete Teile sind empfohlene Ersatzteile.
- \* Piezas de mantenimiento preventivas.





## **PUMPS**

### **EOS**

#### ***PREVENTIVE MAINTENANCE***

#### **TRANSLATION FROM THE ORIGINAL MANUAL**

***IMPORTANT : Before assembly and start-up, please read and clearly understand all the documents relating to this equipment (professional use only).***

THE PICTURES AND DRAWINGS ARE NON CONTRACTUAL. WE RESERVE THE RIGHT TO MAKE CHANGES WITHOUT PRIOR NOTICE.

#### **KREMLIN - REXSON**

150, avenue de Stalingrad

93 245 - STAINS CEDEX - France

☎ : 33 (0)1 49 40 25 25      Fax : 33 (0)1 48 26 07 16

**[www.kremlin-rexson.com](http://www.kremlin-rexson.com)**

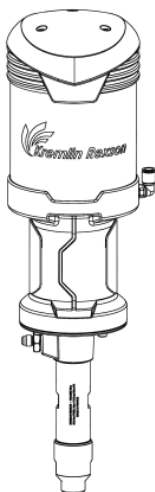
**Guards (air motor cover, coupling shields, housings ...) have been designed for safe use of the equipment.**

**The manufacturer will not be held responsible for bodily injury or failure and / or damage to property due to removal or partial removal of the guards**

OPERATION TO CARRY OUT	FREQUENCY					
	D	W	M	Q	H	Y
<b>GENERAL</b>						
Check earthings	X					
Check leakage from the fittings	X					
Check hoses	X					
Operate the valves			X			
<b>PUMP</b>						
Clean the pistons of the pumps (do not let the material dry)		X				
Check piston rod tightness		X				
Check there is no leak at the upper cartridge		X				
Check the cleanliness and the level of the T lubricant		X				
Check the cleanliness of the strainer		X				
Drain and replace the T lubricant			X			
<b>Caution : flush the pump for a long duration shutdown of the installation (more than two weeks)</b>						
<b>MOTOR</b>						
Check the tightness of the piston rod					X	
Check if the control system is clean			X			
Check if the muffler(s) is clogged						X
Check that there is no air leakage						X
Check that air hoses are not damaged						X
Check that the connections between fittings and hoses are correct						X
Check the correct condition of the supply hoses (rubber, setting,...), regulators and gauges						X
Check the tightening of the components						X
Check the fixing of the cover						X
Check the correct operating of the safety valve(s)						X
D : daily W : weekly M : monthly Q : quarterly H : half-yearly Y : yearly						

OPERATION TO CARRY OUT	FREQUENCY					
	D	W	M	Q	H	Y
<b>FLUID SECTION</b>						
Check the tightness of the cup				X		
Check if there is lubricant in the cupel (keep the level halfway up)		X				
Disassemble the fluid section, clean the parts with the appropriate cleaning solvent, change the seals and the parts if necessary						X
Change the lubricant if the coloration is too important and change the seals of the upper flange if the problem persists			X			
Clean regularly the cup with lubricant after having drained the lubricant		X				
D : daily		M : monthly		H : half-yearly		
W : weekly		Q : quarterly		Y : yearly		

**Note : Frequencies are given as a clue. They must be adapted by the maintenance service of the user for every installation according to the product, the working cadence and the working pressure.**



## **PUMPS**

## **EOS**

## **TROUBLESHOOTING GUIDE**

### **TRANSLATION FROM THE ORIGINAL MANUAL**

***IMPORTANT : Before assembly and start-up, please read and clearly understand all the documents relating to the equipment (professional use only).***

THE PICTURES AND DRAWINGS ARE NOT CONTRACTUAL. WE RESERVE THE RIGHT TO MAKE CHANGES WITHOUT PRIOR NOTICE.

#### **KREMLIN - REXSON**

150, avenue de Stalingrad  
93 245 - STAINS CEDEX - France

**☎** : 33 (0)1 49 40 25 25      **Fax** : 33 (0)1 48 26 07 16

**[www.kremlin-rexson.com](http://www.kremlin-rexson.com)**

**Guards (air motor cover, coupling shields, housings ...) have been designed for safe use of the equipment.**  
**The manufacturer will not be held responsible for bodily injury or failure and / or damage to property due to removal or partial removal of the guards**



**CAUTION :**

**Before any intervention on the equipment, shut off the air supply and follow the general safety instructions. Open the drain or the gun to depressurize the gun. The ram must be in the low position.**

CAUSE	SOLUTION
The pump does not start	Check the pump air supply. Refer to spray gun manual.
Priming trouble :  → Air is always coming out from the spray gun  → When priming, air (or material) does not come out from the spray gun	Be sure that the spray gun is fully opened and air evacuated through this one. Check the cleanliness of the strainer. Air intake at the fittings or at the suction rod. Check the upper spring. Change the valve under the cover  Check the pump valves. If a valve is stucked by dry paint, it can be unsticked without disassembling it. Blow air pressure directly by suction fitting.
The pump does not stop at once when shutting off the spray gun :  → The pump stops only on down stroke  → The pump stops only on up stroke	Check exhaust valve or piston seal. Check / change the upper spring Change the valve under the cover Check suction valve or upper cartridge. Blow air pressure in the suction valve Check the valve and the lower spring
The pump locks with an air leakage to the motor	Check the motor valve under the cover, the seal O-ring and the seal holder
On Intensive™ pump, the product overflow from the tank and leaves by the leakage outlet	Check the upper packing (GT cartridge, MB-A cartridge), change cartridge if it is necessary. Check / change the upper cartridge and the piston rod
Spraying trouble	Refer to spray gun manual.



# **EOS PUMPS**

## ***OPERATING PRINCIPLE AND START-UP***

### **TRANSLATION FROM THE ORIGINAL MANUAL**

***IMPORTANT : Before assembly and start-up, please read and clearly understand all the documents relating to the equipment (professional use only).***

THE PICTURES AND DRAWINGS ARE NOT CONTRACTUAL. WE RESERVE THE RIGHT TO MAKE CHANGES WITHOUT PRIOR NOTICE.

#### **KREMLIN - REXSON**

150, avenue de Stalingrad

93 245 - STAINS CEDEX - France

**☎** : 33 (0)1 49 40 25 25      **Fax** : 33 (0)1 48 26 07 16

**[www.kremlin-rexson.com](http://www.kremlin-rexson.com)**

## 1. OPERATING PRINCIPLE

The pump consists of :

- an alternating air motor (B),
- an hydraulic section (C) mechanically coupled to the air motor (B).

The air motor is supplied with compressed air by means of the regulator (D). The pressure is read on the gauge (E).

During its alternating movement, the air motor drives the piston of the hydraulic section (C), the fluid is drawn in (L) and forced under pressure in (N).

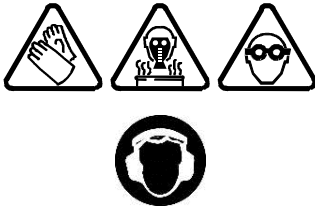
Due to its design, this pressure is always the one read on the gauge

Example : for a pump ratio 07/1 :  $7 \times 6 \text{ bar} = 42 \text{ bar}$  /  $7 \times 87 \text{ psi} = 609 \text{ psi}$

The spraying air pressure of the gun is adjusted by means of the regulator (knob) (F) and the pressure can be read on the gauge (G) (Only Airmix® model : see figure1).

- To adjust the fluid flow rate, turn the regulator (D).
- To adjust the spraying air, turn the regulator (F) (read on the gauge (G) (Only Airmix® model : see figure 1).

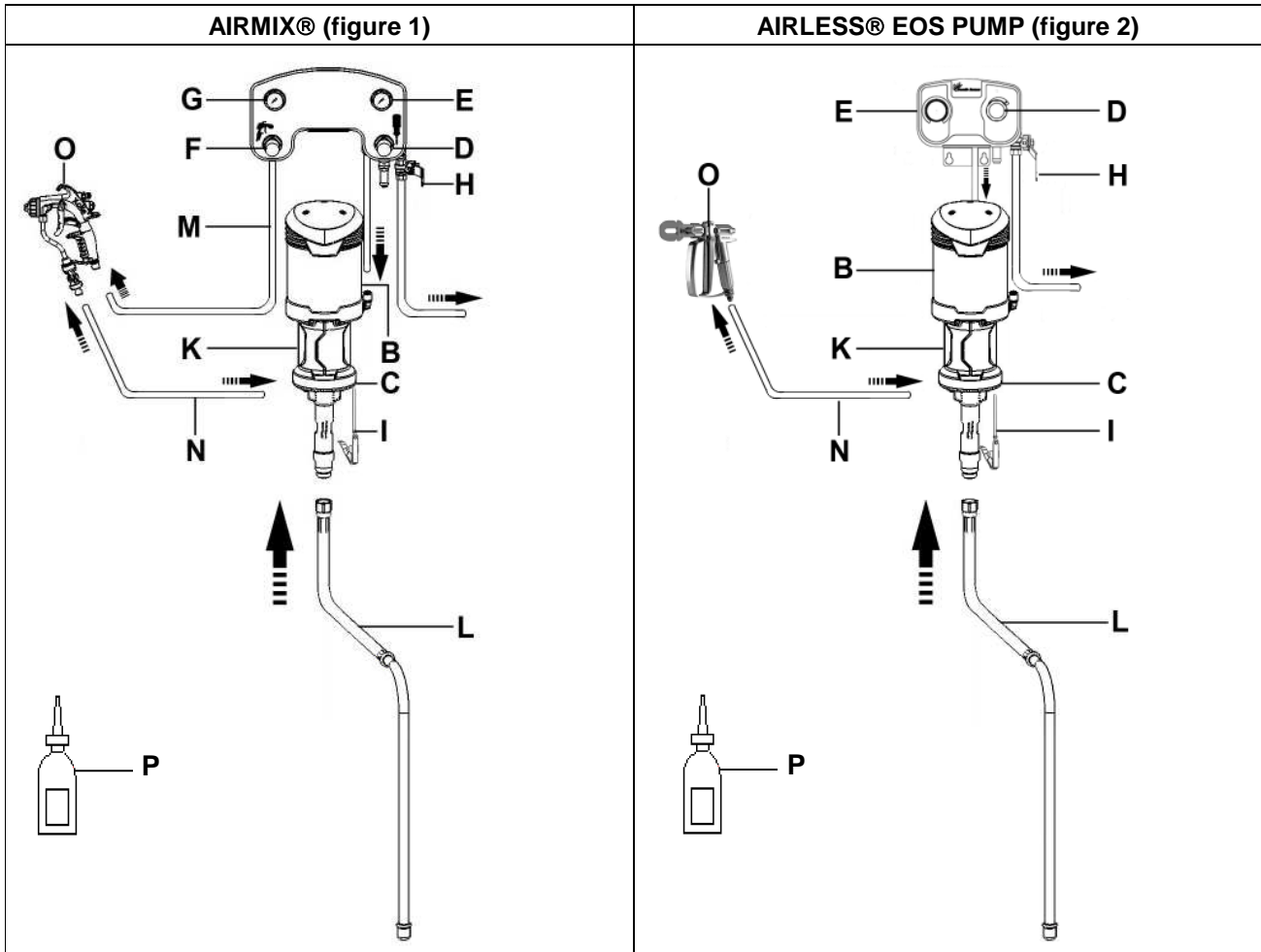
## 2. MISE EN SERVICE



Protective clothing (gloves, protective masks, glasses, hearing protective earplug, protective clothing) should be worn to comply with the recommendations.

The working area must be correctly ventilated.

### 2-1 FILLING



#### Captions :

A	Intensive™ pump (B + C)	K	Protection carter
B	Motor	L	Suction rod
C	Fluid section	M	Air static (static conductor)
D	'MOTOR AIR' regulator	N	HP fluid section
E	Gauge	O	AIRMIX® or AIRLESS® gun
F	'GUN AIR' regulator	P	T lubricant (125 ml / 4.4 oz)
G	Gauge		
H	Air inlet valve		
I	Ground		

(For specific installation, please contact your KREMLIN REXSON representative).



**Guards (air motor cover, coupling shields, housings ...) have been designed for safe use of the equipment.**

**The manufacturer will not be held responsible for bodily injury or failure and / or damage to property due to removal or partial removal of the guards**

**Start up procedure :**

- Ground the pump.
- **If the pump is an Intensive™ one, fill the wetting cup (S) with T lubricant (P) or with an appropriate cleaning solvent.**
- Unscrew the air regulators (D and F),
- Interconnect the equipment with the air pressure network (clean and dry air - P < 6 bar / 87 psi)  
Install a water drop, if it is necessary.
- Connect all the hoses (M& N) as well as the gun (O).
- Remove the gun air cap by unscrewing the cap ring and nozzle (only in case of an Airmix® gun).

■ **FLUSHING WITH SOLVENT**

- Immerse suction rod (L) into solvent-filled container.
- Open motor air pressure supply - valve (H).
- Point the spray gun, not supplied with air, towards the material container and press the trigger.
- Increase **gradually** the air regulator (D) so that the pump runs slowly (Proportionally to pressure ratio). When material flows out regularly, release the trigger.
- Drain all solvent from the pump.

■ **PRIMING WITH MATERIAL**

- Immerse suction rod (L) into material container.
- Point the spray gun, not supplied with air, towards the material container and trigger the gun until the material flows out regularly.

■ **WORK**

- Reinstall the ring, the aircap and the nozzle (only in case of an Airmix® gun) on the gun.
- Adjust air regulator (D) to get the appropriate material pressure and flow rate.
- **Gradually** open air regulator (F) to adjust spraying air to obtain the required spray pattern.

**2-2 PUMP SUPPLIED IN GRAVITY**

☞ **CAUTION: The pumps can be supplied in gravity but not in filling.**

Interconnect the pump fluid inlet with the gravity cup supply hose and start up the pump as previously indicated.

### 3. SHUTDOWN AT THE END OF THE WORK

#### ▪ SHORT DURATION SHUTDOWN

- Decrease the material pressure of air regulator (D) until reading **0 bar / 0 psi** on gauge (E).
- Trigger the gun to depressurize the system.
- Unscrew the gun air regulator (F) or disconnect the gun air inlet.
- Remove the gun air cap and the nozzle (only in case of an Airmix® gun) from the spray gun and soak it into solvent.

#### ▪ LONG DURATION SHUTDOWN

- Decrease the material pressure of air regulator (D) so that the pump runs slowly.
- Unscrew the gun air regulator (F) or disconnect the gun air inlet.
- Remove the gun air cap and the nozzle (only in case of an Airmix® gun) from the spray gun and soak it into solvent.
- Remove the suction rod from the material container and immerse it in a solvent-filled container. Take all the appropriate precautions in the presence of flammable solvents.
- Point the gun towards the container and trigger the gun. When the solvent flows out, point the gun towards the recovery container.
- When the solvent flows out clean, release the gun trigger.

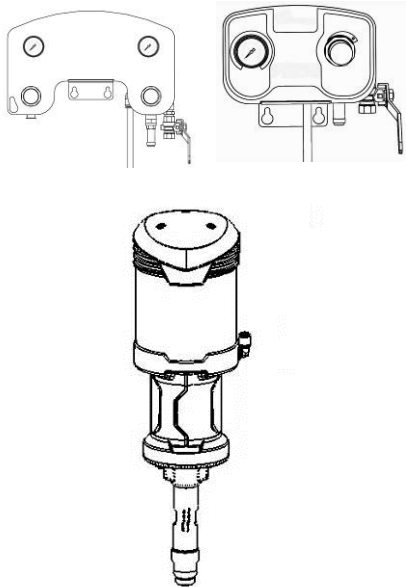
**Nota : If the pump is an Intensive™ one, release the spray gun trigger when the pump piston is in a low position. To prevent from damaging the seals when starting once again the pump, the piston must be immersed into solvent.**

- Fully unscrew the air regulator (D) and shut off the compressed air valve (valve H).
- Trigger the spray gun to decompress the hoses. Therefore, the pump and the hose remain filled with solvent at the atmospheric pressure.

### 4. SAFETY DEVICE

**Guards (air motor cover, coupling shields, housings ...) have been designed for safe use of the equipment.  
The manufacturer will not be held responsible for bodily injury or failure and / or damage to property due to removal or partial removal of the guards**

AIRMIX® pump : A relief-valve (setting : 6.5 bar / 94 psi) is fitted on the pump air motor - thus protecting this one from an overpressure which could damage it.



## **PUMPS**

**EOS 15-C25**

**EOS 30-C25**

**TECHNICAL FEATURES**

### **TRANSLATION FROM THE ORIGINAL MANUAL**

***IMPORTANT : Before assembly and start-up, please read and clearly understand all the documents relating to this equipment (professional use only).***

THE PICTURES AND DRAWINGS ARE NON CONTRACTUAL. WE RESERVE THE RIGHT TO MAKE CHANGES WITHOUT PRIOR NOTICE.

#### **KREMLIN - REXSON**

150, avenue de Stalingrad

93 245 - STAINS CEDEX – France

☎ : 33 (0)1 49 40 25 25      Fax : 33 (0)1 48 26 07 16

**[www.kremlin-rexson.com](http://www.kremlin-rexson.com)**

# 1. DESCRIPTION

- Compact pneumatic pump
- Low maintenance and ease of use

**Designed for :**

- Supplying a gun, model AIRMIX® or AIRLESS depending upon the pump configuration
- For all kind of paints and varnishes

# 2. TECHNICAL FEATURES

## ▪ PUMP EOS 15-C25

Motor model ..... 245-4  
 Pump body model .....25 cc  
 Pressure ratio .....15/1  
 Weight (bare wall mounted pump) .....7,7 kg

**Wetted parts :**

- Flange : Stainless steel
- Cylinder : Hard chrome stainless steel
- Piston : PVD treated stainless steel
- Seat : Stainless steel
- Cartridge : Stainless steel
- Pump foot : Stainless steel
- Suction valve : POM

**Pump sealing :**

Upper : Stainless steel cartridge with GT seal  
 Lower : UHMW Polyethylene seal

Motor stroke	100 mm	4"
Air motor piston section	24,5 cm <sup>2</sup>	3.8 sq. in
Fluid section	2,8 cm <sup>2</sup>	0.43 sq. In
Fluid delivery per cycle	25 cm <sup>3</sup>	0.83 oz
Number of cycle for 1 liter of product	40	40
Fluid delivery (30 cycles)	0,75 l	0.2 US gal
Maximum air inlet pressure	6 bar	87 psi
Maximum fluid discharge pressure	95 bar	1305 psi
Weighted sound pressure (LAeq)	71,2 dBa	71.2 dBa
Maximum operating temperature	60°C	140° F

Fluid outlet pressure and air consumption depending upon the air supply pressure :

- 2 bar : 17l/min,
- 4 bar : 46l/min,
- 6 bar : 82l/min.

*Nota : Data given for your information only.*

**Test conditions :**

- Test duration : 30 s,
- Motor air pressure: 6 bar / 87 psi,
- Material used : water,
- Gun : Xcite™,
- Tip : 09.

▪ **PUMP EOS 30-C25**

Motor model.....420-4  
 Pump body model.....25 cc  
 Pressure ratio.....30/1  
 Weight (bare wall mounted pump)...7,7 kg

**Wetted parts :**

- Flange : Stainless steel
- Cylinder : Hard chrome stainless steel
- Piston : PVD treated stainless steel
- Seat : Stainless steel
- Cartridge : Stainless steel
- Pump foot : Stainless steel
- Suction valve : POM

**Pump sealing :**

Upper : Stainless steel cartridge with GT seal  
 Lower : UHMW Polyethylene seal

Motor stroke	100 mm	4"
Air motor piston section	42 cm <sup>2</sup>	6.5 sq.in
Fluid section	2,8 cm <sup>2</sup>	0.43 sq. In
Fluid delivery per cycle	25 cm <sup>3</sup>	0.83 oz
Number of cycle for 1 liter of product	40	40
Fluid delivery (30 cycles)	0,75 l	0.2 US gal
Maximum air inlet pressure	6 bar	87 psi
Maximum fluid discharge pressure	180 bar	2610.5 psi
Weighted sound pressure (LAeq)	74,9 dBA	74.9 dBA
Maximum operating temperature	60°C	140 °F

Fluid outlet pressure and air consumption depending upon the air supply pressure :

- 2 bar : 49l/min,
- 4 bar : 118l/min,
- 6 bar : 179l/min.

*Nota : Data given for your information only.*

**Test conditions :**

- Test duration : 30 s,
- Motor air pressure: 6 bar / 87 psi,
- Material used : water,
- Gun : Xcite™,
- Tip : 09.

▪ **FITTINGS**

- **Fittings - Fluid section, model EOS-C25 M 26 x 125**

		<b>Bare pump</b>	<b>Pump assembly</b>
Air	Inlet	F 3/8" BSP	F 3/8" BSP (valve)
	Outlet	-	M 1/4" NPS (spraying air)
Fluid	Inlet	M 26 x 125	Suction rod
	Outlet	F 3/8" NPS	M 1/2" JIC

- **Fittings - Fluid section, model EOS-C25 F 1/2 G**

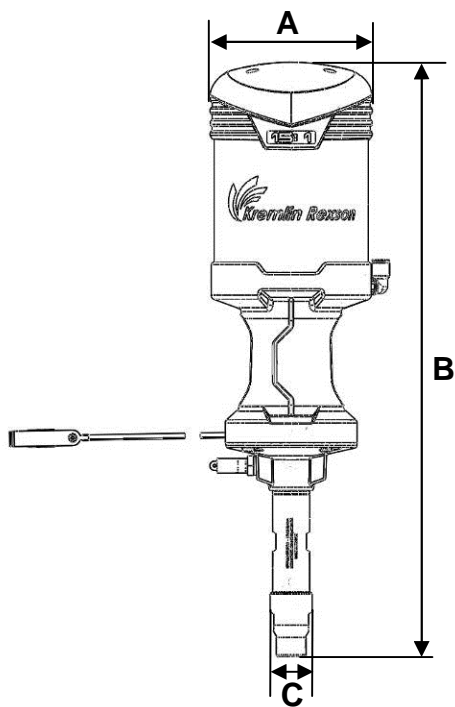
		<b>Bare pump</b>	<b>Pump assembly</b>
Air	Inlet	F 3/8" BSP	Femelle 3/8" BSP (valve)
	Outlet	-	M 1/4" NPS (spraying air)
Fluid	Inlet	F 1/2" G	Suction rod
	Outlet	F 3/8" NPS	M 1/2" JIC

▪ **RECOMMENDED HOSES WITH FITTINGS**

Pump air supply hose (minimum $\varnothing$ for a 5 m / 16.5 ft length) :	$\varnothing$ 10 mm ID / 3/8 dia.
Air hose (between "GUN AIR" regulator and gun) :	7 mm ID / 1/4 dia.
AIRMIX® fluid hose (between pump fluid outlet and gun) :	4,8 mm ID / 3/16 dia

▪ DIMENSIONS

- Pump

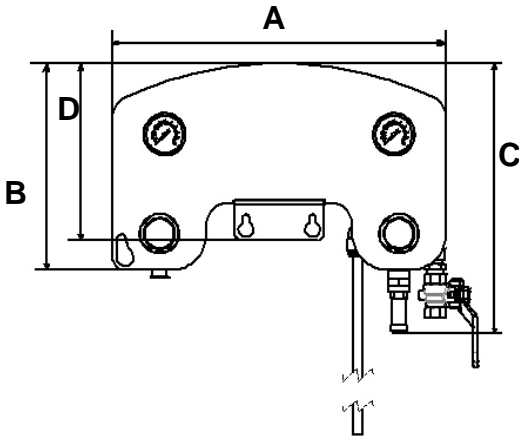


Ind.	mm	"	Ind.	mm	"
A	Ø 159	Ø 6.26	B	575	22.6
Ind.	mm	"			
C	Ø 40	1 9/16			

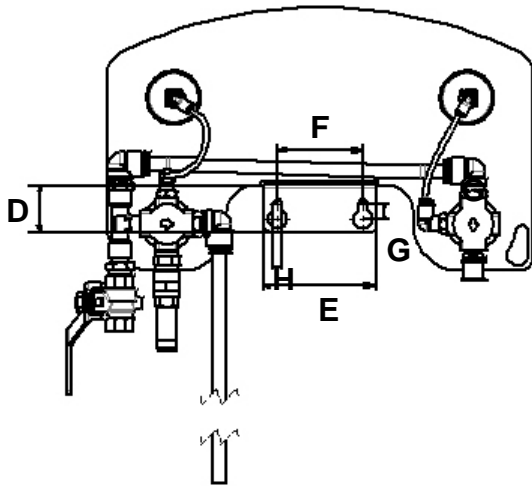
**Pump bracket**

Ind.	mm	"	Ind.	mm	"
D	25	0.98	E	146	5.74
Ind.	mm	"	Ind.	mm	"
F	62	2.44	G	50	1.96
Ind.	mm	"	Ind.	mm	"
H	Ø 6,5	Ø 0.25	I	10	0.4
Ind.	mm	"			
J	72	2.83			

- AIRMIX® air equipment

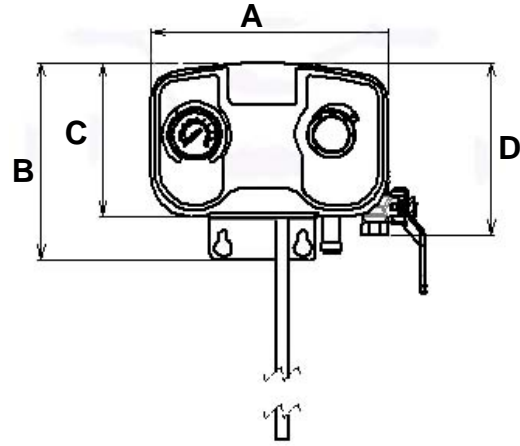


Ind.	mm	"	Ind.	mm	"
A	320	12.6	B	198	7.8
Ind.	mm	"	Ind.	mm	"
C	260	10.2	D	169	6.7

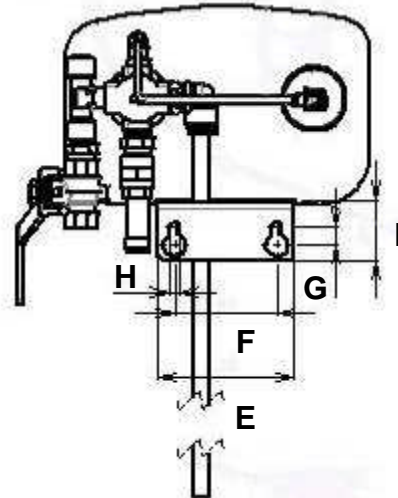


Ind.	mm	"	Ind.	mm	"
D	35	1.4	E	85	3.3
Ind.	mm	"	Ind.	mm	"
F	64	2.5	G	11	0.4
Ind.	mm	"			
H	Ø 6,5	Ø 0.25			

- AIRLESS air equipment (without spraying air)

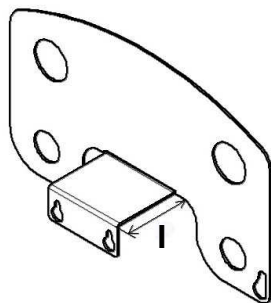


Ind.	mm	"	Ind.	mm	"
A	190	7.5	B	159	6.3
Ind.	mm	"	Ind.	mm	"
C	124	4.9	D	139	5.5

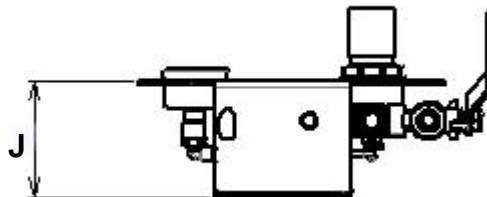


Ind.	mm	"	Ind.	mm	"
E	85	3.3	F	64	2.5
Ind.	mm	"	Ind.	mm	"
G	11	0.4	H	Ø 6,5	Ø 0.25
Ind.	mm	"			
I	38	1.5			





Ind.	mm	"
I	72	2.8



Ind.	mm	"
I	72	2.8

### 3. INSTALLATION

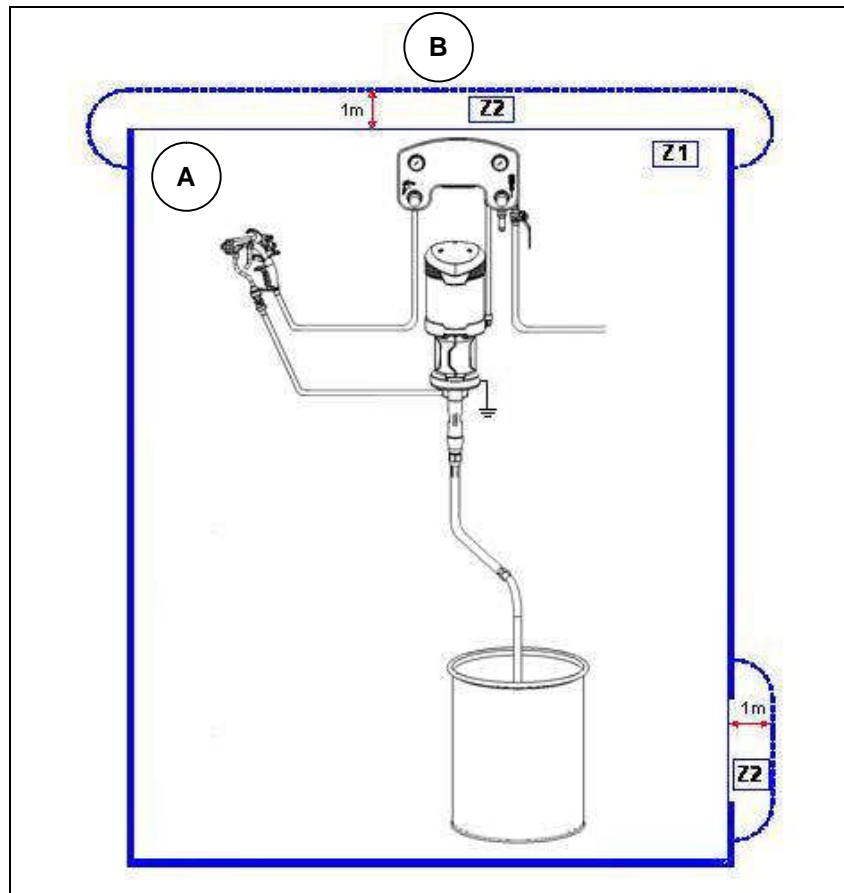
The pumps are designed to be installed in a spray booth.

#### DESCRIPTION OF THE LABEL MARKING

Marking according to the ATEX Directive  
( Ex : version EOS 15-C25)

<b>Signe KREMLIN REXSON</b>	Manufacturer brand
<b>Made in France</b>	Country of manufacture
	<b>II</b> : group II <b>2</b> : class 2 Surface equipment meant to an area in which there is an explosive atmosphere with an excessive mixture of air, gases and vapours, which can occasionally build up during normal operation. <b>G</b> : gas
<b>IIA T3</b>	<b>IIA</b> : Gas group for the equipment category <b>T3</b> : Maximum surface temperature : 200°C / 392°F
<b>Type de pompe / Pump type</b>	Pump version
<b>Rapport de pression / Pressure ratio</b>	Pump pressure ratio
<b>Débit par cycle / Fluid flow per cycle</b>	Fluid section capacity
<b>Pression air max. / Max. air pressure</b>	Maximum pump motor air supply maximum
<b>Numéro de série / Serial number</b>	Number given by KREMLIN REXSON. The four first numbers indicate the manufacturing year.

▪ **INSTALLATION DIAGRAM**



<b>A</b>	Explosive area Area 1 (Z1) or area 2 (Z2) : spray booth
----------	--

<b>B</b>	Non explosive area
----------	--------------------