

## Bond | Protect | Beautify

With our manual guns, automatic and robotic applicators, supplied by our wide range of pumps & machines for fluid handling, dosing, mixing & dispensing.

**SAMES KREMLIN** provides industrial solutions for production increase, quality improvement, material & cost savings.

We are designers and manufacturers of process equipment that is divided into 6 ranges:

**Airspray:** Since 1925, we have been an Airspray manufacturer bringing you the very best in finishing.

**Airmix®:** Creator of Airmix® Technology since 1975, we provide the perfect mix between quality and productivity.

**Airless:** We provide premium Airless Products for finishers with demanding applications.

**REXSON Dispense:** Pumping beyond possible, dispensing precisely.

**Electrostatic liquid:** expertise for high finishing quality & efficiency.

**Powder:** Powder coating solutions for the highest Productivity since 1960.

FIND YOUR  
LOCAL CONTACT  
BY FLASHCODE:



[www.sames-kremlin.com](http://www.sames-kremlin.com)



Apply your Skills



## A29 HTI/HPA AUTOMATIC AIRSPRAY SPRAY GUN



- High transfer efficiency (up to **74%\***)
- Outstanding atomization quality
- Designed for high viscosity materials

Related Technologies



HTI™ Airspray



HPA™ Airspray

Apply your Skills

[www.sames-kremlin.com](http://www.sames-kremlin.com)

PNEUMATIC

A29

HTI / HPA



TECHNICAL DATA

	A29 HTI		A29 HPA
Maximum fluid pressure (bar)	6		
Atomizing air pressure (bar)	0,7 / 1,2		2,0 / 3,0
Minimum trigger air pressure (bar)	3		
Fluid output (l/mn)	0,15 (0,6 mm nozzle) 0,30 (1,2 mm nozzle)	0,20 (0,7 mm nozzle) 0,35 (1,5 mm nozzle)	0,25 (0,9 mm nozzle) 0,40 (1,8 mm nozzle)
Weight - gun only (g)	585		
Maximum fluid temperature (°C)	50		
Transfer efficiency (%)	E3 KHVLP : 74 (HTI very low pressure)	EP3 : 72 (HTI low pressure)	EN3 : 65 (HPA)
Wetted parts	Stainless steel - Treated stainless steel		

AIRSPRAY TECHNOLOGIES  
VERY LOW PRESSURE (HTI) AND LOW PRESSURE (HPA)

HTI and HPA technologies developed by SAMES KREMLIN are the results of many years of fundamental Research end Development to achieve the best results in terms of transfer efficiency and finishing quality.

HTI technology offers outstanding finish quality, high transfer efficiency and is compliant with most environmental protection regulations.

HPA technology features unsurpassed finish quality using powerful atomization to apply a wide range of materials, including high viscosity materials.

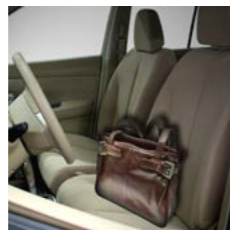
MATERIAL HANDLED

Primers, stains, direct gloss/metallised, top coat/high gloss, solvent or water-based paints, liquid adhesives.

RECOMMENDED MARKETS



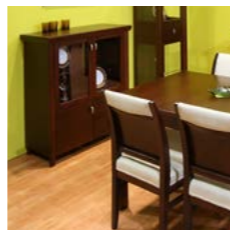
PLASTIC



LEATHER



GLASS COATING



FURNITURE

CUSTOMER BENEFITS

- ➔ For high production : high frequency opening and closing
- ➔ For all customer applications: 2 technologies available (HTI and HPA) and a large selection of nozzles
- ➔ Compatible with water-based materials : stainless steel fluid passages

SPRAYING QUALITY

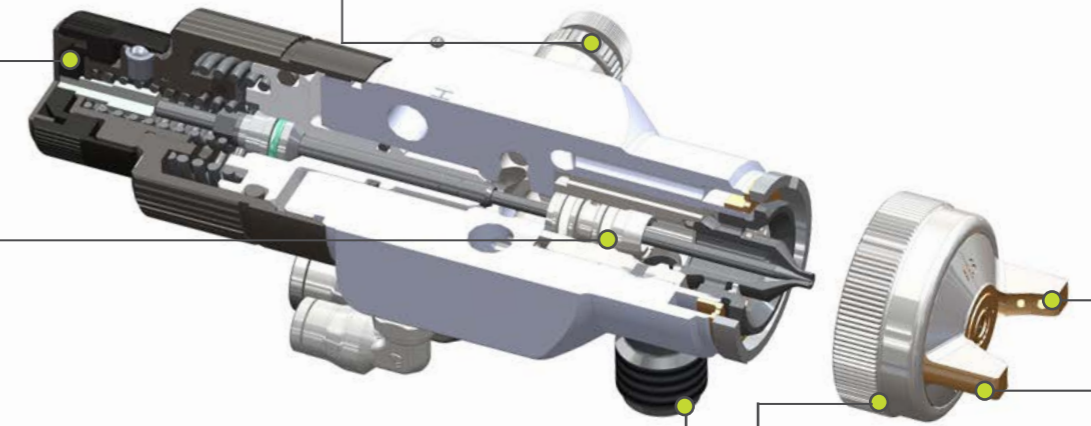
Fluid output adjusting by indexed knob  
▶ high output accuracy

HIGH RELIABILITY

- Guaranteed needle sealing by self adjusting cartridge
- Hard treated needle for increased lifetime

SPRAYING QUALITY

- Design concept and precise machining of the aircap to give a perfect fan.
- EN3L aircap: designed for large fan width



SPRAYING QUALITY

Independant atomization air and fan adjustment air for a perfect control of the fan, even at low outputs.

HIGH RELIABILITY

Optimized fluid passages for high viscosity filled materials.

HIGH TRANSFER EFFICIENCY

- Reduced overspray  
▶ fast R.O.I (Return on Investment) for products savings  
▶ reduced spray booth maintenance

HIGH RELIABILITY

- 0-90° indexed aircap  
▶ Easy readjustment of fan pattern
- Brass nickel plated aircap  
▶ High resistance to water-based materials



www.sames-kremlin.com