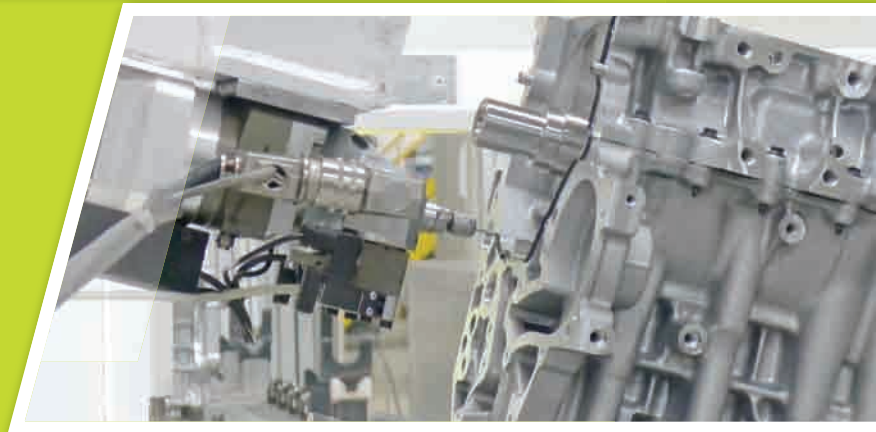


# SAMES KREMLIN



**High Viscosity**  
REXSON start  
range



**Catalog** 03/2017

“Pumping beyond possible, dispensing precisely”


**Apply your Skills**

[www.sames-kremlin.com](http://www.sames-kremlin.com)





## Editor's note


 For more than 65 years Rexson pumps have been working to improve and set a new standards in the fluid handling capabilities around the world applying a wide range of fluids from liquid , semi liquid to very hard paste pumped from a few meter (feet) to longer distance either at room temperature or heated to reduce the viscosity of material.

Over the time, we offer to industrial market innovative and proven equipment to

increase the productivity of our customers, minimizing owner cost associated with downtime costs ,energy costs labor costs while ensuring you a swift return on investment.

When you acquire a SAMES KREMLIN product, you can be confident that you are getting premium support by a worldwide distribution network qualified by our oversea offices.

This catalogue contains a wide range of piston pumps,

regulators, applicators and their accessories.

The follow practical information section is designed to assist equipment selection. User of this can either create their own customized packages from a wide selection of pumps, module and accessories. Only skilled users who have been trained and authorized should use this equipment. All safety rules must be understood and followed.

Enjoy your reading.

# NOTES

A series of horizontal dashed lines for taking notes, spanning most of the page width.

# Table of contents

## PRODUCTS RANGE

REXSON 60C60 - SINGLE POST RAM (20-30 litres drums)	10
REXSON 60C60 - MINI TWIN POST RAM (20-60 liters drums)	14
REXSON 60C60 - TWIN POST RAM (200 liters drums)	18
REXSON 60C60 - TWIN POST RAM (200 liters drums)	20
REXSON 34C106 - MINI TWIN POST RAM (20-60 liters drums)	22
REXSON 34C106 - MINI TWIN POST RAM (20-60 liters drums)	24
REXSON 34C106 - TWIN POST RAM (200 LITERS DRUMS)	26
REXSON 34C106 - TWIN POST RAM (200 LITERS DRUMS)	28
REXSON 63C106 - MINI TWIN POST RAM (20-60 liters drums)	30
REXSON 63C106 - MINI TWIN POST RAM (20-60 liters drums)	32
REXSON 63C106 - TWIN POST RAM (200 liters drums)	34
REXSON 63C106 - TWIN POST RAM (200 liters drums)	36
REXSON 32C207 - MINI TWIN POST RAM (20-60 litres drums)	38
REXSON 32C207 - MINI TWIN POST RAM (20-60 litres drums)	40
REXSON 32C207 - TWIN POST RAM (200 litres drums)	42
REXSON 32C207 - TWIN POST RAM (200 litres drums)	44
REXSON 53C216 - MINI TWIN POST RAM (20-60 LITRES DRUMS)	46
REXSON 53C216 - MINI TWIN POST RAM (20-60 LITRES DRUMS)	48
REXSON 53C216 - TWIN POST RAM (200 LITRES DRUMS)	50
REXSON 53C216 - TWIN POST RAM (200 LITRES DRUMS)	52
REXSON 82C216 - MINI TWIN POST RAM (20-60 LITERS DRUM)	54
REXSON 82C216 - MINI TWIN POST RAM (20-60 LITERS DRUM)	56
REXSON 82C216 - TWIN POST RAM (200 LITERS DRUM)	58
REXSON 82C216 - TWIN POST RAM (200 LITERS DRUM)	60
EXPERTISE IN DISPENSING	63
THINGS TO KNOW ABOUT SELECTING AN EQUIPMENT	66
PRACTICAL INFORMATION	72

## CHAPTERS

GENERAL INFORMATION ON REXSON RANGE	6
2 BALL PUMPS	9
EXPERTISE IN DISPENSING	63
GENERAL INFORMATION	71



# Global presence

## 16 Offices



**CANADA**  
931, Progress Ave, Unit 7  
SCARBOROUGH M1G 3V5  
Tel.: (00) 141 643 15017  
Fax: (00) 141 643 19171



**UNITED STATES OF AMERICA**  
45001 5 Mile Rd.  
PLYMOUTH, MI, 48170  
Tel.: 734-979-0100  
Fax: 734-927-0064

**MEXICO**  
BERNARDO GARZA TREVINO # 1715  
COL DE MAESTRO MONTERREY, N.L  
CP 64180 MEXICO  
Tel.: (81) 1257-1111  
Fax: (81) 1352-8316



**BRAZIL**  
Rua Alfredo Mario Pizotti, N.41  
Vila Guilherme  
SAO PAULO SP  
Tel.: (+ 5511) 2903 1200



**ARGENTINA**  
Avenida Juan Justo, 6021  
C1416DLB CIUDAD DE BUENOS AIRES  
Tel.: +54 11 45 82 89 80  
Fax: +54 11 45 84 66 77



**HEADQUARTERS**  
Sames Kremlin



**GERMANY**  
Moselsstrasse 19  
D-41464 NEUSS  
Tel.: +49 213 13 69 22 00  
Fax: +49 213 13 69 22 22

**SAMES KREMLIN**  
Stains

**PORTUGAL**  
Rua da Silveira, 554 - Tauria  
2410-269 POUSOS LRA  
Tel.: +351 244 848 220  
Fax: +351 244 848 229



**SPAIN**  
C/Botánica, 49  
08908 L'HOSPITALET DE LLOBREGA  
BARCELONA  
Tel.: +34.932641540  
Fax: + 34.932632829



**SOUTH AFRICA**  
Block G, Hurlingham Office Park, Hurlingham  
Johannesburg  
Tel: +27 (11) 285 0040



# Global presence

**RUSSIA**  
23 Street Radionava Office 21  
603093 NIZHNI NOVGOROD  
Tel. : 007 831 467 8981



**POLAND**  
Modlinska 221B  
03120 - WARSZAWA  
Tel. : + 48 225 10 38 50  
Fax : + 48 225 10 38 77



**ITALIA**  
Linate Business Park  
Strada Provinciale Rivoltana 35  
20096 Pioletto (MI)  
Tel. : (+39) 02 - 48952815  
Fax : (+39) 02 - 48300071



**JAPAN**  
Takashima 2-19-12 - Sky Blig 20F  
220-0003 YOKOHAMA - Nishi kanagawa  
TEL: 045 412 5800  
FAX: 045 412 5801  
Mobile: 080 4203 3030

**CHINA**  
Building No.9, No.3802 Shengang Road  
Songjiang District  
SHANGHAI 201413  
Tel. : 021-5438 6060  
Fax : 021-5438 6090



**INDIA**  
GAT no - 634, PUNE NAGAR Road, Wagholi  
PUNE - 412 207  
Tel : +91 20 30472700/01  
Fax : +91 20 30472710



**SINGAPORE /SOUTH EAST ASIA**  
German Centre  
International Business Park #05-109E  
SINGAPORE 609916  
Tel. : +65 65628290  
Fax : +65 68359096



Office



Application Center

# REXSON DISPENSE: A COMPLETE RANGE TO MEET ALL NEEDS IN MOST MARKETS





# QUICK PUMP SELECTOR CHART

## What is the material output required for the application ?

» What is the bead size?

## What is the distance from the pump to the point of application ?

» To determine the hose length?

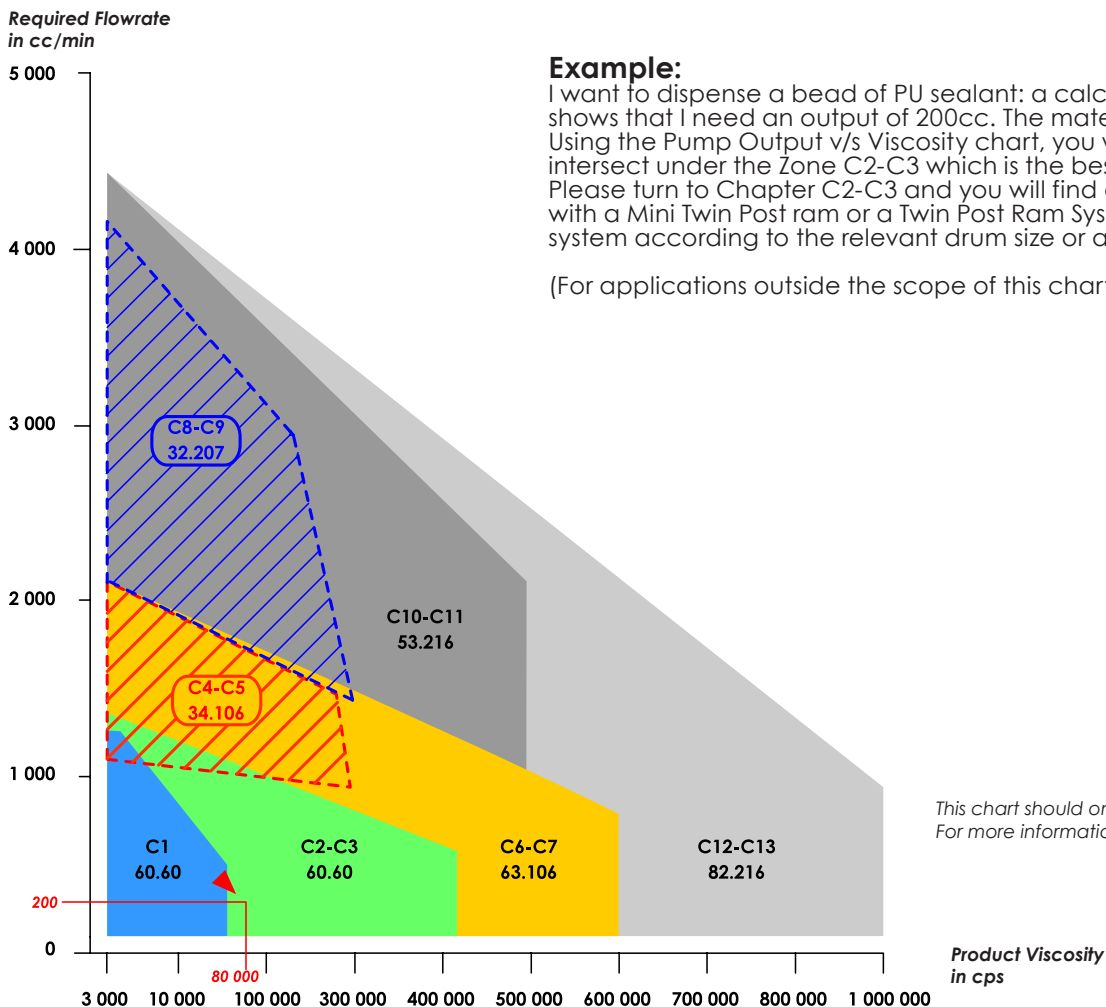
## What is the Material Viscosity ?

» See product data sheet, is it moisture sensitive?

## What is the Drum internal diameter (mm)?

» To help choose the follower plate size you need.

Once you know the Material Viscosity in cps and the Material Output in Liters/mn or cc's, please use the diagram below to select the right pump. Each area is identified (C1, C2-C3, etc...) which corresponds to a dedicated chapter in the guide where you will find all the right part to build your complete system.





# 2 BALL PUMPS

2 ball pumps

Expertise in dispensing

General information

# REXSON 60C60

## SINGLE POST RAM (20-30 litres drums)



The REXSON 60C60 pump is specially designed for pumping viscous materials. SAMES KREMLIN equipment can process a wide range of materials including oils, greases, adhesives and sealants.

This equipment has proved itself over the years to be strong and reliable and can process products up to 30.000 centipoises depending on specification.

The system pumps directly from the original material container and is used on 20 to 30 liter pails (interior diameter from 280 to 305mm).

The modular conception allows you to select an extrusion system comprising of a pump, elevator, follower plate, gun and hoses + optional extras including filter, regulator, 4 wheel cart to suit your application.

 Equipment compliant with ATEX Directive.

### FEATURES

Modular design

Air motor design enables precise control

Direct pumping from 20-30 liters pail

Shovel pump technology

Pneumatic driven pump

### BENEFITS

Wide range of options available to suit most applications

The unique air motor design ensures a constant controlled flow rate with low noise and minimum icing risk

Clean wipe of the material drum saving materials

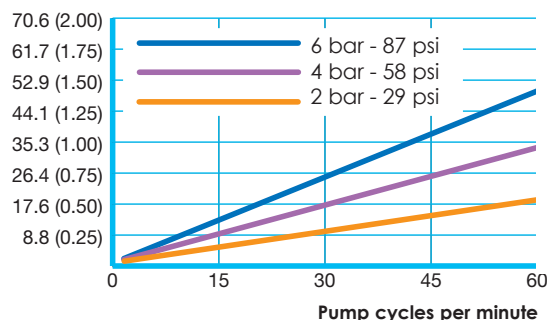
Can be used with a wide range of materials

Safe for use with solvents and other flammable materials

### SPECIFICATIONS

Pressure ratio	60/1
Motor type	3000
Fluid volume per cycle (cc)	60
Free flow rate at 60 cycles (L/mn)	3,6
Fluid Output at 15 Cycles (l/mn)	0,9
Air consumption (m <sup>3</sup> /h) at 30 cycles/mn at 4 bar	30
Maximum air inlet pressure (bar)	6
Maximum fluid pressure (bar)	360
Maximum Fluid Temperature (°C)	60
Seal packings	PTFE + PE
Wetted parts	Carbon steel
Weight (kg) - bare pump	19

**Motor air consumption**  
(m<sup>3</sup>/min.) (Cubic feet/min.)



### FITTINGS

Fitting	Air Inlet	F 3/4" G <sup>(1)</sup>
	Fluid Inlet	Ø 80
	Fluid Outlet	F 3/4" G

(1) Recommended air supply hose diameter 1/2"

# REXSON 60C60 SINGLE POST RAM (20-30 litres drums)



## COMPLETE PUMP UNIT

Description	Part number
REXSON 60C60 extrusion pump with PTFE/PE seals (☞ II2G IIB T3)	151.040.000

+



## SINGLE POST RAM FOR REXSON 60C60 PUMP

Description	Part number
Single post ram with air control (☞ II2Gc)	151.080.000

+



## FOLLOWER PLATES FOR REXSON 60C60 PUMP

Description	Type	Follower plate Ø (mm)	Follower plate Ø (inches)	Part number
Follower plate - Nitrile	Flat single seal	280 - 285	11 - 11,22	151.100.100
		305	12	151.100.200

+



## CART OPTION

Description	Part number
4 wheel cart (L=1020mm - W=750mm - H=1100mm)	151.098.060

+



## FILTER AND REGULATOR OPTIONS

Description	Part number
Option A: Regulator with fitting and mounting accessories (plate, fittings, hose...)	151.260.985
Option B: Filter with fitting and mounting accessories (plate, fittings, hose...)	151.260.986
Option C: Filter and regulator with fitting and mounting accessories (plate, fittings, hose...)	151.260.987

+



## HOSES AND FITTINGS KITS TO FEED THE GUN

Description	Diameter Fluid hose (mm)	Length (m)	Part number
Ø 3/8" PTFE hose 3/4" JIC fitting, lg 5m with all required fittings	3/8	5	151.260.980
Ø 1/2" PTFE hose 7/8" JIC fitting, lg 5m and PTFE Ø 3/8" whip end 3/4" JIC fitting, lg 2m with all required fittings	1/2 + 3/8	7	151.260.981
Ø 1/2" PTFE hose 7/8" JIC fitting, lg 10m and PTFE Ø 3/8" whip end 3/4" JIC fitting, lg 2m with all required fittings	1/2 + 3/8	12	151.260.982

+



## MANUAL GUN AND ACCESSORIES

Description	Part number
Extrusion gun 500 bar (equipped)	151.110.600
Plastic disposable nozzles (x10)	151.110.290

2 ball pumps

Expertise in dispensing

General information



# REXSON 60C60

## SINGLE POST RAM (20-30 litres drums)



### 3000 AIR MOTOR REPAIR KIT

Description	Part number
Air motor seal kit	146.310.090
2 air motor silencer kit	146.310.091
Distributor kit	146.310.092
Pneumatic kit	146.320.094
Safety valve 6,5 bar	903.080.401

### 60CC FLUID SECTION REPAIR KIT

Description	Part number
Standard seal kit (PTFE + PE)	144.200.090
Repair kit	144.200.091
Cylinder kit	144.200.092
Optional maintenance kit (graphite-filled PTFE)	144.200.093
Optional maintenance kit (PU + graphite - filled PTFE)	144.200.094



### FOLLOWER PLATE REPAIR SEALS

Description	Part number
Ø 280 - 285 mm (11" - 11,2") flat seal	150.048.301
Ø 305 mm (12") flat seal	150.048.302



### SINGLE-POST RAM ELEVATOR MAINTENANCE KIT

Description	Part number
Seal kit	151.090.090
Base outlet manometer kit	151.080.094
Manometer outlet back kit	151.080.091
Command button kit	151.080.092
Pushbutton kit	151.080.093
3,8 bar valve kit	903.080.403



### FILTER MAINTENANCE

Description	Part number
FKM (Viton) O'ring seal	80.032
Cartridge filter (25 mesh - 710 µ)	601.084
Cartridge filter (50 mesh - 350 µ)	601.092
Cartridge filter (80 mesh - 201 µ)	601.287

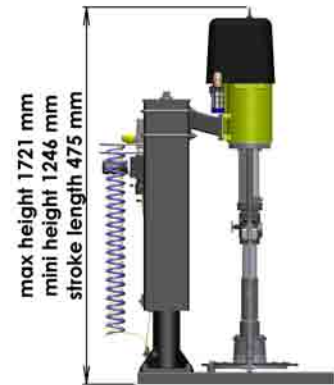
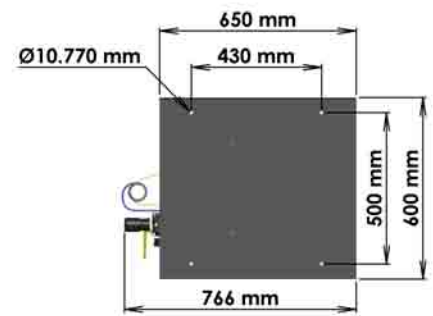
### REGULATOR MAINTENANCE

Description	Part number
Repair Kit 8 mm	155.750.901
8mm Cartridge	155.750.904



### EXTRUSION GUN REPAIR KIT

Description	Part number
Repair kit for 500 bar extrusion gun	151.110.695



Total weight : 89 kg

# NOTES

A series of horizontal dashed lines for taking notes, spanning the width of the page.

2 ball pumps

Expertise in dispensing

General information

# REXSON 60C60

## MINI TWIN POST RAM (20-60 liters drums)



The REXSON 60C60 pump is specially designed for pumping liquid and thick materials. SAMES KREMLIN equipment can process a wide range of materials including oils, greases, adhesives and sealants.

This equipment has proved itself over the years to be strong and reliable and can process products up to 400.000 centipoises depending on specification.

The system pumps directly from the original material container and is used on 20 to 60 liters pails (interior diameter 280 to 360mm).

The modular conception allows you to select an extrusion system comprising of a pump, elevator, follower plate, gun and hoses + optional extras including filter, regulator, 4 wheels cart to suit your application.

 Equipment compliant with ATEX Directive.

### FEATURES

Modular design

Air motor design enables precise control

Direct pumping from 20-60 liters pail

Choice of double seal on follower plate

Shovel pump technology

Pneumatic driven pump

### BENEFITS

Wide range of options available to suit most applications

The unique air motor design ensures a constant controlled flow rate with low noise and minimum icing risk

Clean wipe of the material drum saving materials

Recommended for high viscosity and moisture-sensitive materials

Can be used with a wide range of materials

Safe for use with solvents and other flammable materials

### SPECIFICATIONS

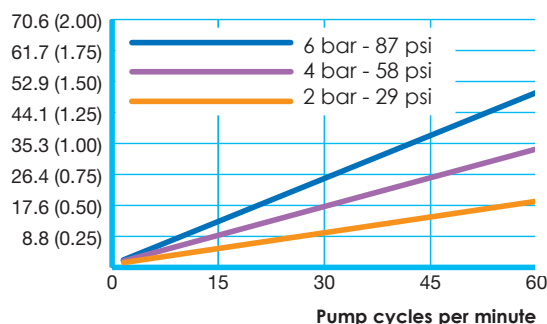
Pressure ratio	60/1
Motor type	3000
Fluid volume per cycle (cc)	60
Free flow rate at 60 cycles (L/mn)	3,6
Fluid Output at 15 Cycles (l/mn)	0,9
Air consumption (m <sup>3</sup> /h) at 30 cycles/mn at 4 bar	30
Maximum air inlet pressure (bar)	6
Maximum fluid pressure (bar)	360
Maximum Fluid Temperature (°C)	60
Seal packings	PTFE + PE
Wetted parts	Carbon steel
Weight (kg) - bare pump	19

### FITTINGS

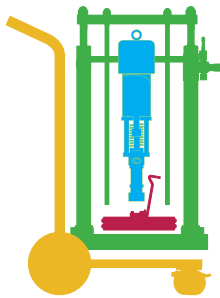
Fitting	Air Inlet	F 3/4"G <sup>(1)</sup>
	Fluid Inlet	Ø 80
	Fluid Outlet	F 3/4" G

(1) Recommended air supply hose diameter 1/2"

**Motor air consumption**  
(m<sup>3</sup>/min.) (Cubic feet/min).



# REXSON 60C60 MINI TWIN POST RAM (20-60 liters drums)



## COMPLETE PUMP UNIT

Description	Part number
REXSON 60C60 extrusion pump with PTFE/PE seals (☞ II2G IIB T3)	151.040.000



## MINI TWIN POST RAM FOR REXSON 60C60 PUMP

Description	Part number
Mini twin post ram with air control and centering/hold-down clamps for 20-60 liters (☞ II2Gc)	151.080.5 00
Option : Pneumatic two-hand safety control	151.098.050
Option : Pneumatic low-level alarm for 20-60 liters	151.098.010



## FOLLOWER PLATES FOR REXSON 60C60 PUMP

Description	Type	Follower plate Ø (mm)	Follower plate Ø (inches)	Part number
Follower plate - Nitrile	Flat single seal	280 - 285	11 - 11,22	151.100.100
		305	12	151.100.200
		315	12,4	151.100.300
		360	14,17	151.100.400
Follower plate PTFE coated - EPDM	Double seal O'ring	280	11	151.102.100
		285	11,22	151.102.200
		305	12	151.102.300
		315	12,4	151.102.400
360	14,17	151.102.500		



## CART OPTION

Description	Part number
4 wheel cart (L=1020mm - W=750mm - H=1100mm)	151.098.060



## FILTER AND REGULATOR OPTIONS

Description	Part number
Option A : Regulator with fitting and mounting accessories (plate, fittings, hose...)	151.260.985
Option B : Filter with fitting and mounting accessories (plate, fittings, hose...)	151.260.986
Option C : Filter and regulator with fitting and mounting accessories (plate, fittings, hose...)	151.260.987



## HOSES AND FITTINGS KITS TO FEED THE GUN

Description	Diameter Fluid hose (")	Length (m)	Part number
Ø 3/8" PTFE hose 3/4" JIC fitting, lg 5m with all required fittings	3/8	5	151.260.980
Ø 1/2" PTFE hose 7/8" JIC fitting, lg 5m and PTFE Ø 3/8" whip end 3/4" JIC fitting, lg 2m with all required fittings	1/2 + 3/8	7	151.260.981
Ø 3/4" PTFE hose 1" 1/16 JIC fitting, lg 5m and PTFE Ø 3/8" whip end 3/4" JIC fitting, lg 2m with all required fittings	3/4 + 3/8	7	151.260.983
Ø 3/4" PTFE hose 1" 1/16 JIC fitting, lg 10m and PTFE Ø 3/8" whip end 3/4" JIC fitting, lg 2m with all required fittings	3/4 + 3/8	12	151.260.984
Ø 1/2" PTFE hose 7/8" JIC fitting, lg 10m and PTFE Ø 3/8" whip end 3/4" JIC fitting, lg 2m with all required fittings	1/2 + 3/8	12	151.260.982



## MANUAL GUN AND ACCESSORIES

Description	Part number
Extrusion gun 500 bar (equipped)	151.110.600
Plastic disposable nozzles (x10)	151.110.290

2 ball pumps

Expertise in dispensing

General information

# REXSON 60C60

## MINI TWIN POST RAM (20-60 liters drums)



### 3000 AIR MOTOR REPAIR KIT

Description	Part number
Air motor seal kit	146.310.090
2 air motor silencer kit	146.310.091
Distributor kit	146.310.092
Pneumatic kit	146.320.094
Safety valve 6,5 bar	903.080.401

### 60CC FLUID SECTION REPAIR KIT

Description	Part number
Standard seal kit (PTFE + PE)	144.200.090
Repair kit	144.200.091
Cylinder kit	144.200.092
Optional maintenance kit (graphite-filled PTFE)	144.200.093
Optional maintenance kit (PU + graphite - filled PTFE)	144.200.094



### FOLLOWER PLATE REPAIR SEALS

Description	Part number
Ø 280 - 285 mm (11" - 11,2") flat seal	150.048.301
Ø 305 mm (12") flat seal	150.048.302
Ø 315 mm (12,4") flat seal	150.048.303
Ø 360mm (14,17") flat seal	150.048.304
Ø 280 - 285 mm (11") EPDM seal	150.048.306
Ø 305 mm (12") EPDM seal	150.048.307
Ø 315 mm (12,4") EPDM seal	150.048.308
Ø 360 mm (14,17") EPDM seal	150.048.309



### MINI TWIN POST RAM ELEVATOR MAINTENANCE KIT

Description	Part number
Seal kit	151.080.090
Manometer outlet back kit	151.080.091
Command button kit	151.080.092
Pushbutton kit	151.080.093
Base outlet manometer kit	151.080.094
3,8 bar valve kit	903.080.403



### FILTER MAINTENANCE

Description	Part number
FKM (Viton) O'ring seal	80.032
Cartridge filter (25 mesh - 710 µ)	601.084
Cartridge filter (50 mesh - 350 µ)	601.092
Cartridge filter (80 mesh - 201 µ)	601.287

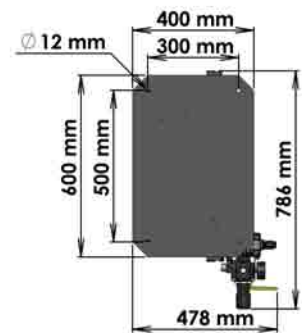
### REGULATOR MAINTENANCE

Description	Part number
Repair Kit 8 mm	155.750.901
8mm Cartridge	155.750.904



### EXTRUSION GUN REPAIR KIT

Description	Part number
Repair kit for 500 bar extrusion gun	151.110.695



Total weight : 87



# NOTES

A series of horizontal dashed lines for taking notes, spanning the width of the page.

2 ball pumps

Expertise in dispensing

General information

# REXSON 60C60 TWIN POST RAM (200 liters drums)



The REXSON 60C60 pump is specially designed for pumping viscous materials. SAMES KREMLIN equipment can process a wide range of materials including oils, greases, adhesives and sealants.

This equipment has proved itself over the years to be strong and reliable and can process products up to 400.000 centipoises depending on specification.

The system pumps directly from the original material container and is used on 200 liter pails (interior diameter 571 mm).

The modular conception allows you to select an extrusion system comprising of a pump, elevator, follower plate, gun and hoses + optional extras including filter, regulator to suit your application.

 Equipment compliant with ATEX Directive.

### FEATURES

- Modular design
- Air motor design enables precise control
- Direct pumping from 200 lts drum
- Shovel pump technology
- Choice of double seal on follower plate
- Pneumatic driven pump

### BENEFITS

- Wide range of options available to suit most applications
- The unique air motor design ensures a constant controlled flow rate with low noise and minimum icing risk
- Clean wipe of the material drum saving materials
- Can be used with a wide range of materials
- Recommended for high viscosity and moisture-sensitive materials
- Safe for use with solvents and other flammable materials

### SPECIFICATIONS

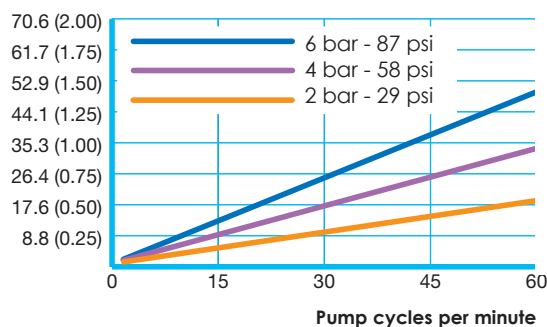
Pressure ratio	60/1
Motor type	3000
Fluid volume per cycle (cc)	60
Free flow rate at 60 cycles (L/mn)	3,6
Fluid Output at 15 Cycles (l/mn)	0,9
Air consumption (m <sup>3</sup> /h) at 30 cycles/mn at 4 bar	30
Maximum air inlet pressure (bar)	6
Maximum fluid pressure (bar)	360
Maximum Fluid Temperature (°C)	60
Seal packings	PTFE + PE
Wetted parts	Carbon steel
Weight (kg) - bare pump	19

### FITTINGS

Fitting	Air Inlet	F 3/4" G <sup>(1)</sup>
	Fluid Inlet	Ø 80
	Fluid Outlet	F 3/4" G

(1) Recommended air supply hose diameter 1/2"

**Motor air consumption**  
(m<sup>3</sup>/min.) (Cubic feet/min).



# REXSON 60C60 TWIN POST RAM (200 liters drums)



## COMPLETE PUMP UNIT

Description	Part number
REXSON 60C60 extrusion pump with PTFE/PE seals (☞ II2G IIB T3)	151.040.000



## MINI TWIN POST RAM FOR REXSON 60C60 PUMP

Description	Part number
Double post ram with air control for 200 liters drums and centering/hold-down clamps (☞ II2Gc)	151.090.500
Option: Pneumatic two-hand safety control	151.098.050
Option: Pneumatic low level alarm for 200 liters drums	151.098.020
Drum roller unit for 200 litres drum	151.098.100



## FOLLOWER PLATES FOR REXSON 60C60 PUMP

Description	Type	Follower plate Ø (mm)	Follower plate Ø (inches)	Part number
Follower plate - Nitrile	Single flat seal	571	22,48	151.100.500
Follower plate PTFE coated- EPDM	Double seal O'ring	571	22,48	151.102.600



## FILTER AND REGULATOR OPTIONS

Description	Part number
Option A: Regulator with fitting and mounting accessories (plate, fittings, hose...)	151.260.985
Option B: Filter with fitting and mounting accessories (plate, fittings, hose...)	151.260.986
Option C: Filter and regulator with fitting and mounting accessories (plate, fittings, hose...)	151.260.987



## HOSES AND FITTINGS KITS TO FEED THE GUN

Description	Diameter Fluid hose (")	Length (m)	Part number
Ø 3/8" PTFE hose 3/4" JIC fitting, lg 5m with all required fittings	3/8	5	151.260.980
Ø 1/2" PTFE hose 7/8" JIC fitting, lg 5m and PTFE Ø 3/8" whip end 3/4" JIC fitting, lg 2m with all required fittings	1/2 + 3/8	7	151.260.981
Ø 3/4" PTFE hose 1" 1/16 JIC fitting, lg 5m and PTFE Ø 3/8" whip end 3/4" JIC fitting, lg 2m with all required fittings	3/4 + 3/8	7	151.260.983
Ø 3/4" PTFE hose 1" 1/16 JIC fitting, lg 10m and PTFE Ø 3/8" whip end 3/4" JIC fitting, lg 2m with all required fittings	3/4 + 3/8	12	151.260.984
Ø 1/2" PTFE hose 7/8" JIC fitting, lg 10m and PTFE Ø 3/8" whip end 3/4" JIC fitting, lg 2m with all required fittings	1/2 + 3/8	12	151.260.982



## MANUAL GUN AND ACCESSORIES

Description	Part number
Extrusion gun 500 bar (equipped)	151.110.600
Plastic disposable nozzles (x10)	151.110.290

# REXSON 60C60

## TWIN POST RAM (200 liters drums)



### 3000 AIR MOTOR REPAIR KIT

Description	Part number
Air motor seal kit	146.310.090
2 air motor silencer kit	146.310.091
Distributor kit	146.310.092
Pneumatic kit	146.320.094
Safety valve 6,5 bar	903.080.401

### 60CC FLUID SECTION REPAIR

Description	Part number
Standard seal kit (PTFE + PE)	144.200.090
Repair kit	144.200.091
Cylinder kit	144.200.092
Optional maintenance kit (graphite-filled PTFE)	144.200.093
Optional maintenance kit (PU + graphite - filled PTFE)	144.200.094



### FOLLOWER PLATES REPAIR SEALS

Description	Part number
Ø 571 mm (22.48") Flat single seal	150.048.305
Ø 571 mm (22.48") EPDM seal	150.048.310



### TWIN POST RAM ELEVATOR MAINTENANCE KIT

Description	Part number
Seal kit	151.080.090
Base outlet manometer kit	151.080.094
Manometer outlet back kit	151.080.091
Command button kit	151.080.092
Pushbutton kit	151.080.093
3,8 bar valve kit	903.080.403



### FILTER MAINTENANCE

Description	Part number
FKM (Viton) O'ring seal	80.032
Cartridge filter (25 mesh - 710 µ)	601.084
Cartridge filter (50 mesh - 350 µ)	601.092
Cartridge filter (80 mesh - 201 µ)	601.287

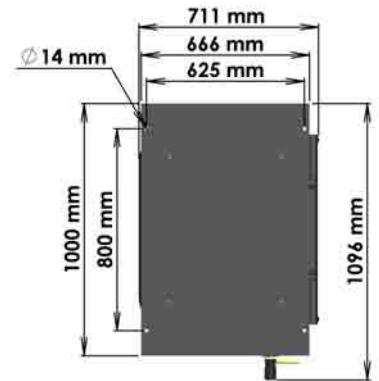
### REGULATOR MAINTENANCE

Description	Part number
Repair Kit 8 mm	155.750.901
8mm Cartridge	155.750.904



### EXTRUSION GUN REPAIR KIT

Description	Part number
Repair kit for 500 bar extrusion gun	151.110.695



Total weight : 215 kg

# NOTES

A series of horizontal dashed lines for taking notes.

2 ball pumps

Expertise in dispensing

General information



# REXSON 34C106 MINI TWIN POST RAM (20-60 liters drums)



The REXSON 34C106 pump is specially designed for pumping viscous materials. SAMES KREMLIN equipment can process a wide range of materials including oils, greases, adhesives and sealants.

This equipment has proved itself over the years to be strong and reliable and can process products up to 300.000 centipoises depending on specification.

The system pumps directly from the original material container and is used on 20 to 60 liter pails (interior diameter 280 to 360 mm).

The modular conception allows you to select an extrusion system comprising of a pump, elevator, follower plate, gun and hoses + optional extras including filter, regulator, 4 wheel cart to suit your application.

 Equipment compliant with ATEX Directive.

### FEATURES

- Modular design
- Air motor design enables precise control
- Direct pumping from 20-60 liters pail
- Shovel pump technology
- Choice of double seal on follower plate
- Pneumatic driven pump

### BENEFITS

- Wide range of options available to suit most applications
- The unique air motor design ensures a constant controlled flow rate with low noise and minimum icing risk
- Clean wipe of the material drum saving materials
- Can be used with a wide range of materials
- Recommended for high viscosity and moisture-sensitive materials
- Safe for use with solvents and other flammable materials

### SPECIFICATIONS

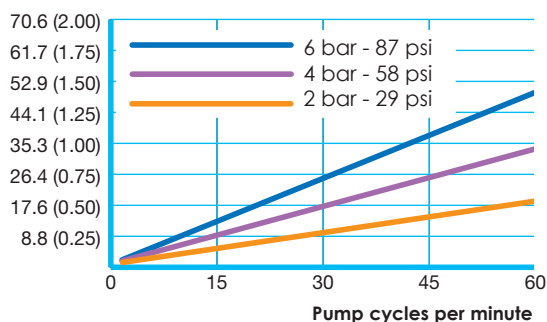
Pressure ratio	34/1
Motor type	3000
Fluid volume per cycle (cc)	106
Free flow rate at 60 cycles (L/mn)	6.3
Fluid Output at 15 Cycles (l/mn)	1,6
Air consumption (m <sup>3</sup> /h) at 30 cycles/mn at 4 bar	30
Maximum air inlet pressure (bar)	6
Maximum fluid pressure (bar)	204
Maximum Fluid Temperature (°C)	60
Seal packings	PTFE + PE
Wetted parts	Carbon steel
Weight (kg) - bare pump	21

### FITTINGS

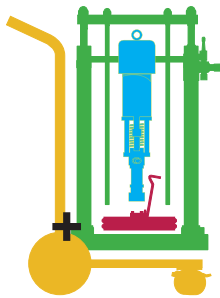
Fitting	Air Inlet	F 3/4" G <sup>(1)</sup>
	Fluid Inlet	Ø 80
	Fluid Outlet	F 3/4" G

(1) Recommended air supply hose diameter 1/2"

**Motor air consumption**  
(m<sup>3</sup>/min.) (Cubic feet/min.)



# REXSON 34C106 MINI TWIN POST RAM (20-60 liters drums)



## COMPLETE PUMP UNIT

Description	Part number
REXSON 34C106 PUMP PTFE/PE Seals (☞ II2G IIB T3)	151.050.000



## MINI TWIN POST RAM FOR REXSON 34C106 PUMP

Description	Part number
Mini twin post ram with air control and centering/hold-down clamps for 20-60 liters (☞ II2Gc)	151.080.500
Option: Pneumatic two-hand safety control	151.098.050
Option: Pneumatic low-level alarm for 20-60 liters	151.098.010



## FOLLOWER PLATES FOR REXSON 34C106 PUMP

Description	Type	Follower plate Ø (mm)	Follower plate Ø (inches)	Part number
Follower plate - Nitrile	Flat single seal	280 - 285	11 - 11,22	151.100.100
		305	12	151.100.200
		315	12,4	151.100.300
		360	14,17	151.100.400
Follower plate PTFE coated - EPDM	Double seal O'ring	280	11	151.102.100
		285	11,22	151.102.200
		305	12	151.102.300
		315	12,4	151.102.400
		360	14,17	151.102.500



## CART OPTION

Description	Part number
4 wheel cart (L=1020mm - W=750mm - H=1100mm)	151.098.060



## FILTER AND REGULATOR OPTIONS

Description	Part number
Option A: Regulator with fitting and mounting accessories (plate, fittings, hose...)	151.260.985
Option B: Filter with fitting and mounting accessories (plate, fittings, hose...)	151.260.986
Option C: Filter and regulator with fitting and mounting accessories (plate, fittings, hose...)	151.260.987



## HOSES AND FITTINGS KITS TO FEED THE GUN

Description	Diameter Fluid hose (")	Length (m)	Part number
Ø 3/8" PTFE hose 3/4" JIC fitting, lg 5m with all required fittings	3/8	5	151.260.980
Ø 1/2" PTFE hose 7/8" JIC fitting, lg 5m and PTFE Ø 3/8" whip end 3/4" JIC fitting, lg 2m with all required fittings	1/2 + 3/8	7	151.260.981
Ø 3/4" PTFE hose 1" 1/16 JIC fitting, lg 5m and PTFE Ø 3/8" whip end 3/4" JIC fitting, lg 2m with all required fittings	3/4 + 3/8	7	151.260.983
Ø 3/4" PTFE hose 1" 1/16 JIC fitting, lg 10m and PTFE Ø 3/8" whip end 3/4" JIC fitting, lg 2m with all required fittings	3/4 + 3/8	12	151.260.984
Ø 1/2" PTFE hose 7/8" JIC fitting, lg 10m and PTFE Ø 3/8" whip end 3/4" JIC fitting, lg 2m with all required fittings	1/2 + 3/8	12	151.260.982



## MANUAL GUN AND ACCESSORIES

Description	Part number
250 bar extrusion gun	151.110.200
Straight swivel fitting	105.485
Adaptor for plastic nozzles	150.103.539
Plastic disposable nozzles (x10)	151.110.290

2 ball pumps

Expertise in dispensing

General information

# REXSON 34C106

## MINI TWIN POST RAM (20-60 liters drums)



### 3000 AIR MOTOR REPAIR KIT

Description	Part number
Air motor seal kit	146.310.090
2 air motor silencer kit	146.310.091
Pneumatic kit	146.320.094
Distributor kit	146.310.092
Safety valve 6,5 bar	903.080.401

### 106CC FLUID SECTION REPAIR

Description	Part number
Standard maintenance kit (PTFE + PE)	144.210.090
Repair kit	144.210.091
Cylinder kit	144.210.092
Optional maintenance kit (graphite-filled PTFE)	144.210.093
Optional maintenance kit (PU + graphite-filled PTFE)	144.210.094



### FOLLOWER PLATES REPAIR SEALS

Description	Part number
Ø 280 - 285 mm (11" - 11,2") flat seal	150.048.301
Ø 305 mm (12") flat seal	150.048.302
Ø 315 mm (12,4") flat seal	150.048.303
Ø 360mm (14.17") flat seal	150.048.304
Ø 280 - 285 mm (11") EPDM seal	150.048.306
Ø 305 mm (12") EPDM seal	150.048.307
Ø 315 mm (12,4") EPDM seal	150.048.308
Ø 360 mm (14.17") EPDM seal	150.048.309



### MINI TWIN POST RAM ELEVATOR MAINTENANCE KIT

Description	Part number
Seal kit	151.080.090
Manometer outlet back kit	151.080.091
Command button kit	151.080.092
Pushbutton kit	151.080.093
Base outlet manometer kit	151.080.094
3,8 bar valve kit	903.080.403



### FILTER MAINTENANCE

Description	Part number
FKM (Viton) O'ring seal	80.032
Cartridge filter (25 mesh - 710 µ)	601.084
Cartridge filter (50 mesh - 350 µ)	601.092
Cartridge filter (80 mesh - 201 µ)	601.287

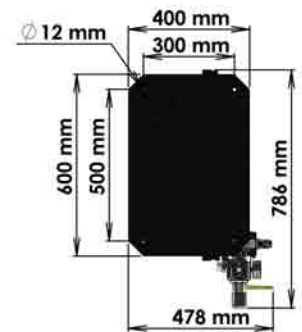
### REGULATOR MAINTENANCE

Description	Part number
Repair Kit 8 mm	155.750.901
8mm Cartridge	155.750.904



### EXTRUSION GUN REPAIR KIT

Description	Part number
Repair kit for 250 bar extrusion gun	151.110.690



Total weight : 86 kg

# NOTES

A series of horizontal dashed lines for taking notes, spanning the width of the page.

2 ball pumps

Expertise in dispensing

General information

# REXSON 34C106 TWIN POST RAM (200 LITERS DRUMS)



The REXSON 34C106 pump is specially designed for pumping viscous materials. SAMES KREMLIN equipment can process a wide range of materials including oils, greases, adhesives and sealants.

This equipment has proved itself over the years to be strong and reliable and can process products up to 300.000 centipoises depending on specification.

The system pumps directly from the original material container and is used on 200 liters pails (interior diameter 571 mm).

The modular conception allows you to select an extrusion system comprising of a pump, elevator, follower plate, gun and hoses + optional extras including filter, regulator to suit your application.

 Equipment compliant with ATEX Directive.

## FEATURES

- Modular design
- Air motor design enables precise control
- Direct pumping from 200 lts drum
- Shovel pump technology
- Choice of double seal on follower plate
- Pneumatic driven pump

## BENEFITS

- Wide range of options available to suit most applications
- The unique air motor design ensures a constant controlled flow rate with low noise and minimum icing risk
- Clean wipe of the material drum saving materials
- Can be used with a wide range of materials
- Recommended for high viscosity and moisture-sensitive materials
- Safe for use with solvents and other flammable materials

## SPECIFICATIONS

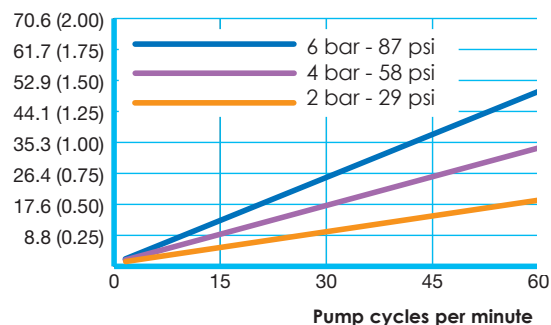
Pressure ratio	34/1
Motor type	3000
Fluid volume per cycle (cc)	106
Free flow rate at 60 cycles (L/mn)	6,3
Fluid Output at 15 Cycles (l/mn)	1,6
Air consumption (m <sup>3</sup> /h) at 30 cycles/mn at 4 bar	30
Maximum air inlet pressure (bar)	6
Maximum fluid pressure (bar)	204
Maximum Fluid Temperature (°C)	60
Seal packings	PTFE + PE
Wetted parts	Carbon steel
Weight (kg) - bare pump	21

## FITTINGS

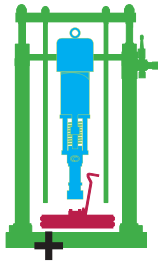
Fitting	Air Inlet	F 3/4" G <sup>(1)</sup>
	Fluid Inlet	Ø 80
	Fluid Outlet	F 3/4" G

(1) Recommended air supply hose diameter 1/2"

**Motor air consumption**  
(m<sup>3</sup>/min.) (Cubic feet/min.)



# REXSON 34C106 TWIN POST RAM (200 LITERS DRUMS)



## COMPLETE PUMP UNIT

Description	Part number
REXSON 34C106 PUMP PTFE/PE Seals (II2G IIB T3)	151.050.000



## MINI TWIN POST RAM FOR REXSON 34C106 PUMP

Description	Part number
Double post ram with air control for 200 liters drums and centering/hold-down clamps (II2Gc)	151.090.500
Option : Pneumatic two-hand safety control	151.098.050
Option : Pneumatic low-level alarm for 20-60 liters	151.098.010
Drum roller unit for 200 litres drum	151.098.100



## FOLLOWER PLATES FOR REXSON 34C106 PUMP

Description	Type	Follower plate Ø (mm)	Follower plate Ø (inches)	Part number
Follower plate - Nitrile	Single flat seal	571	22,48	151.100.500
Follower plate PTFE coated-EPDM	Double seal O'ring	571	22,48	151.102.600



## FILTER AND REGULATOR OPTIONS

Description	Part number
Option A : Regulator with fitting and mounting accessories (plate, fittings, hose...)	151.260.985
Option B : Filter with fitting and mounting accessories (plate, fittings, hose...)	151.260.986
Option C : Filter and regulator with fitting and mounting accessories (plate, fittings, hose...)	151.260.987



## HOSES AND FITTINGS TO FEED THE GUN

Description	Diameter Fluid hose (")	Length (m)	Part number
Ø 3/8" PTFE hose 3/4" JIC fitting, lg 5m with all required fittings	3/8	5	151.260.980
Ø 1/2" PTFE hose 7/8" JIC fitting, lg 5m and PTFE Ø 3/8" whip end 3/4" JIC fitting, lg 2m with all required fittings	1/2 + 3/8	7	151.260.981
Ø 3/4" PTFE hose 1" 1/16 JIC fitting, lg 5m and PTFE Ø 3/8" whip end 3/4" JIC fitting, lg 2m with all required fittings	3/4 + 3/8	7	151.260.983
Ø 3/4" PTFE hose 1" 1/16 JIC fitting, lg 10m and PTFE Ø 3/8" whip end 3/4" JIC fitting, lg 2m with all required fittings	3/4 + 3/8	12	151.260.984
Ø 1/2" PTFE hose 7/8" JIC fitting, lg 10m and PTFE Ø 3/8" whip end 3/4" JIC fitting, lg 2m with all required fittings	1/2 + 3/8	12	151.260.982



## MANUAL GUN AND ACCESSORIES

Description	Part number
250 bar extrusion gun	151.110.200
Straight swivel fitting	105.485
Adaptor for plastic nozzles	150.103.539
Plastic disposable nozzles (x10)	151.110.290

# REXSON 34C106 TWIN POST RAM (200 LITERS DRUMS)



## 3000 AIR MOTOR REPAIR KIT

Description	Part number
Air motor seal kit	146.310.090
2 air motor silencer kit	146.310.091
Distributor kit	146.310.092
Pneumatic kit	146.320.094
Safety valve 6,5 bar	903.080.401

## 106CC FLUID SECTION REPAIR KIT

Description	Part number
Standard maintenance kit (PTFE + PE)	144.210.090
Repair kit	144.210.091
Cylinder kit	144.210.092
Optional maintenance kit (graphite-filled PTFE)	144.210.093
Optional maintenance kit (PU + graphite-filled PTFE)	144.210.094



## FOLLOWER PLATE REPAIR SEALS

Description	Part number
Ø 571 mm (22.48") Flat single seal	150.048.305
Ø 571 mm (22.48") EPDM seal	150.048.310



## TWIN POST RAM ELEVATOR MAINTENANCE KIT

Description	Part number
Seal kit	151.080.090
Manometer outlet back kit	151.080.091
Command button kit	151.080.092
Pushbutton kit	151.080.093
Base outlet manometer kit	151.080.094
3,8 bar valve kit	903.080.403



## FILTER MAINTENANCE

Description	Part number
FKM (Viton) O'ring seal	80.032
Cartridge filter (25 mesh - 710 µ)	601.084
Cartridge filter (50 mesh - 350 µ)	601.092
Cartridge filter (80 mesh - 201 µ)	601.287

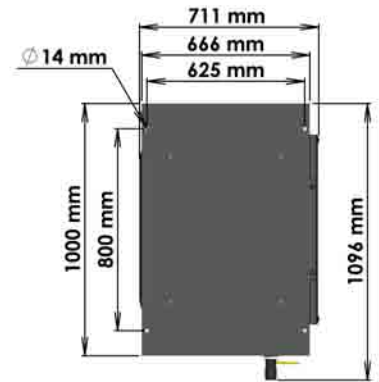
## REGULATOR MAINTENANCE

Description	Part number
Repair Kit 8 mm	155.750.901
8mm Cartridge	155.750.904



## EXTRUSION GUN REPAIR KIT

Description	Part number
Repair kit for 250 bar extrusion gun	151.110.690



Total weight : 214 kg

# NOTES

A series of horizontal dashed lines for taking notes, spanning the width of the page.

2 ball pumps

Expertise in dispensing

General information



# REXSON 63C106 MINI TWIN POST RAM (20-60 liters drums)



The REXSON 63C106 pump is specially designed for pumping viscous materials. SAMES KREMLIN equipment can process a wide range of materials including oils, greases, adhesives and sealants.

This equipment has proved itself over the years to be strong and reliable and can process products up to 600.000 centipoises depending on specification.

The system pumps directly from the original material container and is used on 20 to 60 liters pails (interior diameter 280 to 360 mm).

The modular conception allows you to select an extrusion system comprising of a pump, elevator, follower plate, gun and hoses + optional extras including filter, regulator, 4 wheel cart to suit your application.

 Equipment compliant with ATEX Directive.

### FEATURES

- Modular design
- Air motor design enables precise control
- Direct pumping from 20-60 liters pail
- Shovel pump technology
- Choice of double seal on follower plate
- Pneumatic driven pump

### BENEFITS

- Wide range of options available to suit most applications
- The unique air motor design ensures a constant controlled flow rate with low noise and minimum icing risk
- Clean wipe of the material drum saving materials
- Can be used with a wide range of materials
- Recommended for high viscosity and moisture-sensitive materials
- Safe for use with solvents and other flammable materials

### SPECIFICATIONS

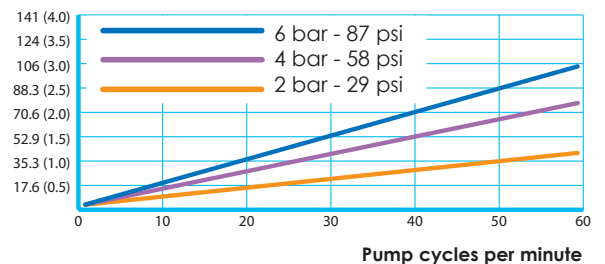
Pressure ratio	63/1
Motor type	5000
Fluid volume per cycle (cc)	106
Free flow rate at 60 cycles (L/mn)	6,3
Fluid Output at 15 Cycles (l/mn)	1,6
Air consumption (m <sup>3</sup> /h) at 30 cycles/mn at 4 bar	66
Maximum air inlet pressure (bar)	6
Maximum fluid pressure (bar)	378
Maximum Fluid Temperature (°C)	60
Seal packings	PTFE + PE
Wetted parts	Carbon steel
Weight (kg) - bare pump	30

### FITTINGS

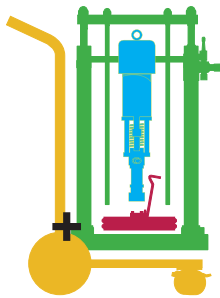
Fitting	Air Inlet	F 3/4" G <sup>(1)</sup>
	Fluid Inlet	Ø 80
	Fluid Outlet	F 3/4" G

(1) Recommended air supply hose diameter 1/2"

**Motor air consumption**  
(m<sup>3</sup>/min.) (Cubic feet/min).



# REXSON 63C106 MINI TWIN POST RAM (20-60 liters drums)



## COMPLETE PUMP UNIT

Description	Part number
REXSON 63C106 pump with PTFE/PE seals (☞ II2G IIB T3)	151.050.500



## MINI TWIN POST RAM FOR REXSON 63C106 PUMP

Description	Part number
Mini twin post ram with air control and centering/hold-down clamps for 20-60 liters (☞ II2Gc)	151.080.500
Option: Pneumatic two-hand safety control	151.098.050
Option: Pneumatic low-level alarm for 20-60 liters	151.098.010



## FOLLOWER PLATE REFERENCE FOR REXSON 63C106 PUMP

Description	Type	Follower plate Ø (mm)	Follower plate Ø (inches)	Part number
Follower plate - Nitrile	Flat single seal	280 - 285	11 - 11,22	151.100.100
		305	12	151.100.200
		315	12,4	151.100.300
		360	14,17	151.100.400
Follower plate PTFE coated - EPDM	Double seal O'ring	280	11	151.102.100
		285	11,22	151.102.200
		305	12	151.102.300
		315	12,4	151.102.400
360	14,17	151.102.500		



## CART OPTION

Description	Part number
4 wheel cart (L=1020mm - W=750mm - H=1100mm)	151.098.060



## FILTER AND REGULATOR OPTIONS

Description	Part number
Option A: Regulator with fitting and mounting accessories (plate, fittings, hose...)	151.260.985
Option B: Filter with fitting and mounting accessories (plate, fittings, hose...)	151.260.986
Option C: Filter and regulator with fitting and mounting accessories (plate, fittings, hose...)	151.260.987



## HOSES AND FITTINGS KITS TO FEED THE GUN

Description	Diameter Fluid hose (")	Length (m)	Part number
Ø 3/8" PTFE hose 3/4" JIC fitting, lg 5m with all required fittings	3/8	5	151.260.980
Ø 1/2" PTFE hose 7/8" JIC fitting, lg 5m and PTFE Ø 3/8" whip end 3/4" JIC fitting, lg 2m with all required fittings	1/2 + 3/8	7	151.260.981
Ø 3/4" PTFE hose 1" 1/16 JIC fitting, lg 5m and PTFE Ø 3/8" whip end 3/4" JIC fitting, lg 2m with all required fittings	3/4 + 3/8	7	151.260.983
Ø 3/4" PTFE hose 1" 1/16 JIC fitting, lg 10m and PTFE Ø 3/8" whip end 3/4" JIC fitting, lg 2m with all required fittings	3/4 + 3/8	12	151.260.984
Ø 1/2" PTFE hose 7/8" JIC fitting, lg 10m and PTFE Ø 3/8" whip end 3/4" JIC fitting, lg 2m with all required fittings	1/2 + 3/8	12	151.260.982



## MANUAL GUN AND ACCESSORIES

Description	Part number
Extrusion gun 500 bar (equipped)	151.110.600
Plastic disposable nozzles (x10)	151.110.290

2 ball pumps

Expertise in dispensing

General information

# REXSON 63C106

## MINI TWIN POST RAM (20-60 liters drums)



### 5000 AIR MOTOR REPAIR KIT

Description	Part number
Seal motor kit	146.320.090
Silencer kit	146.320.091
Distributor kit	146.320.092
Distributor seal kit	146.320.093
Pneumatic kit	146.320.094
Piston rod seal kit	146.320.095
Safety valve 6,5 bar	903.080.401

### 106 CC FLUID SECTION REPAIR KIT

Description	Part number
Standard maintenance kit (PTFE + PE)	144.210.090
Repair kit	144.210.091
Cylinder kit	144.210.092
Optional maintenance kit (graphite-filled PTFE)	144.210.093
Optional maintenance kit (PU + graphite-filled PTFE)	144.210.094



### FOLLOWER PLATE REPAIR SEALS

Description	Part number
Ø 280 - 285 mm (11" - 11,2") flat seal	150.048.301
Ø 305 mm (12") flat seal	150.048.302
Ø 315 mm (12,4") flat seal	150.048.303
Ø 360mm (14.17") flat seal	150.048.304
Ø 280 - 285 mm (11") EPDM seal	150.048.306
Ø 305 mm (12") EPDM seal	150.048.307
Ø 315 mm (12.4") EPDM seal	150.048.308
Ø 360 mm (14.17") EPDM seal	150.048.309



### MINI TWIN POST RAM ELEVATOR MAINTENANCE KIT

Description	Part number
Seal kit	151.080.090
Manometer outlet back kit	151.080.091
Command button kit	151.080.092
Pushbutton kit	151.080.093
Base outlet manometer kit	151.080.094
3,8 bar valve kit	903.080.403



### FILTER MAINTENANCE

Description	Part number
FKM (Viton) O'ring seal	80.032
Cartridge filter (25 mesh - 710 µ)	601.084
Cartridge filter (50 mesh - 350 µ)	601.092
Cartridge filter (80 mesh - 201 µ)	601.287

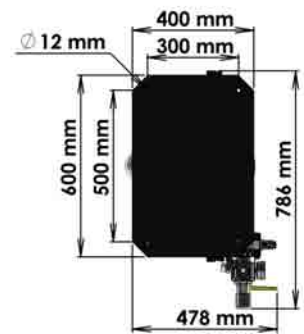
### REGULATOR MAINTENANCE

Description	Part number
Repair Kit 8 mm	155.750.901
8mm Cartridge	155.750.904



### EXTRUSION GUN REPAIR KIT

Description	Part number
Repair kit for 500 bar extrusion gun	151.110.695



Total weight : 98 kg

# NOTES

A series of horizontal dashed lines for taking notes, spanning the width of the page.

2 ball pumps

Expertise in dispensing

General information

# REXSON 63C106 TWIN POST RAM (200 liters drums)



The extrusion unit REXSON 63C106 is specially designed for pumping viscous materials. SAMES KREMLIN equipment can process a wide range of materials including oils, greases, adhesives and sealants.

This equipment has proved itself over the years to be strong and reliable and can process products up to 600.000 centipoises depending on specification.

The system pumps directly from the original material container and is used on 200 liter pails (interior diameter 571 mm).

The modular conception allows you to select an extrusion system comprising of a pump, elevator, follower plate, gun and hoses + optional extras including filter, regulator to suit your application.

 Equipment compliant with ATEX Directive.

## FEATURES

Modular design

Air motor design enables precise control

Direct pumping from 200 lts drum

Shovel pump technology

Choice of double seal on follower plate

Pneumatic driven pump

## BENEFITS

Wide range of options available to suit most applications

The unique air motor design ensures a constant controlled flow rate with low noise and minimum icing risk

Clean wipe of the material drum saving materials

Can be used with a wide range of materials

Recommended for high viscosity and moisture-sensitive materials

Safe for use with solvents and other flammable materials

## SPECIFICATIONS

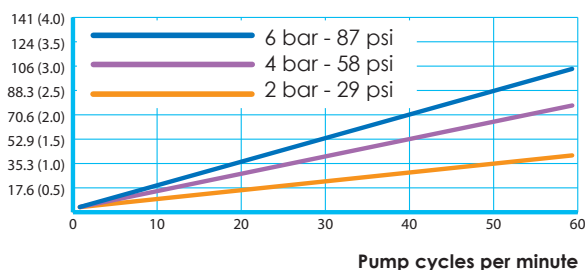
Pressure ratio	63/1
Motor type	5000
Fluid volume per cycle (cc)	106
Free flow rate at 60 cycles (L/mn)	6,3
Fluid Output at 15 Cycles (l/mn)	1,6
Air consumption (m <sup>3</sup> /h) at 30 cycles/mn at 4 bar	66
Maximum air inlet pressure (bar)	6
Maximum fluid pressure (bar)	378
Maximum Fluid Temperature (°C)	60
Seal packings	PTFE + PE
Wetted parts	Carbon steel
Weight (kg) - bare pump	30

## FITTINGS

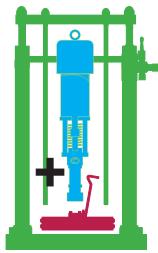
Fitting	Air Inlet	F 3/4" G <sup>(1)</sup>
	Fluid Inlet	Ø 80
	Fluid Outlet	F 3/4" G

(1) Recommended air supply hose diameter 1/2"

**Motor air consumption**  
(m<sup>3</sup>/min.) (Cubic feet/min).



# REXSON 63C106 TWIN POST RAM (200 liters drums)



## COMPLETE PUMP UNIT

Description	Part number
REXSON 63C106 pump with PTFE/PE seals (II2G IIB T3)	151.050.500



## TWIN POST RAM FOR 64.106 PUMP - PTFE/PE SEALS

Description	Part number
Double post ram with air control for 200 liters drums and centering/hold-down clamps (II2Gc)	151.090.500
Option: Pneumatic two-hand safety control	151.098.050
Option: Pneumatic low level alarm for 200 liters drums	151.098.020
Drum roller unit for 200 litres drum	151.098.100



## FOLLOWER PLATES FOR REXSON 63C106 PUMP

Description	Type	Follower plate Ø (mm)	Follower plate Ø (inches)	Part number
Follower plate - Nitrile	Single flat seal	571	22,48	151.100.500
Follower plate PTFE coated-EPDM	Double seal O'ring	571	22,48	151.102.600



## FILTER AND REGULATOR OPTIONS

Description	Part number
Option A: Regulator with fitting and mounting accessories (plate, fittings, hose...)	151.260.985
Option B: Filter with fitting and mounting accessories (plate, fittings, hose...)	151.260.986
Option C: Filter and regulator with fitting and mounting accessories (plate, fittings, hose...)	151.260.987



## HOSES AND FITTINGS TO FEED THE GUN

Description	Diameter Fluid hose (")	Length (m)	Part number
Ø 3/8" PTFE hose 3/4" JIC fitting, lg 5m with all required fittings	3/8	5	151.260.980
Ø 1/2" PTFE hose 7/8" JIC fitting, lg 5m and PTFE Ø 3/8" whip end 3/4" JIC fitting, lg 2m with all required fittings	1/2 + 3/8	7	151.260.981
Ø 3/4" PTFE hose 1" 1/16 JIC fitting, lg 5m and PTFE Ø 3/8" whip end 3/4" JIC fitting, lg 2m with all required fittings	3/4 + 3/8	7	151.260.983
Ø 3/4" PTFE hose 1" 1/16 JIC fitting, lg 10m and PTFE Ø 3/8" whip end 3/4" JIC fitting, lg 2m with all required fittings	3/4 + 3/8	12	151.260.984
Ø 1/2" PTFE hose 7/8" JIC fitting, lg 10m and PTFE Ø 3/8" whip end 3/4" JIC fitting, lg 2m with all required fittings	1/2 + 3/8	12	151.260.982



## MANUAL GUN AND ACCESSORIES

Description	Part number
Extrusion gun 500 bar (equipped)	151.110.600
Plastic disposable nozzles (x10)	151.110.290

# REXSON 63C106 TWIN POST RAM (200 liters drums)



## 5000 AIR MOTOR REPAIR KIT

Description	Part number
Seal motor kit	146.320.090
Silencer kit	146.320.091
Distributor kit	146.320.092
Distributor seal kit	146.320.093
Pneumatic kit	146.320.094
Piston rod seal kit	146.320.095
Safety valve 6,5 bar	903.080.401

## 106 CC FLUID SECTION REPAIR KIT

Description	Part number
Standard maintenance kit (PTFE + PE)	144.210.090
Repair kit	144.210.091
Cylinder kit	144.210.092
Optional maintenance kit (graphite-filled PTFE)	144.210.093
Optional maintenance kit (PU + graphite-filled PTFE)	144.210.094



## FOLLOWER PLATE REPAIR SEALS

Description	Part number
Ø 571 mm (22.48") Flat single seal	150.048.305
Ø 571 mm (22.48") EPDM seal	150.048.310



## TWIN POST RAM ELEVATOR MAINTENANCE KIT

Description	Part number
Seal kit	151.080.090
Manometer outlet back kit	151.080.091
Command button kit	151.080.092
Pushbutton kit	151.080.093
Base outlet manometer kit	151.080.094
3,8 bar valve kit	903.080.403



## FILTER MAINTENANCE

Description	Part number
FKM (Viton) O'ring seal	80.032
Cartridge filter (25 mesh - 710 µ)	601.084
Cartridge filter (50 mesh - 350 µ)	601.092
Cartridge filter (80 mesh - 201 µ)	601.287

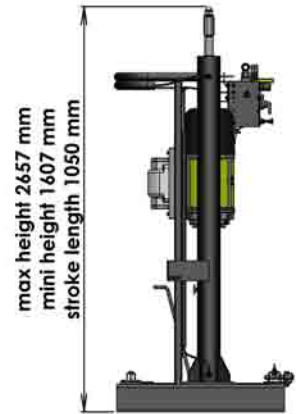
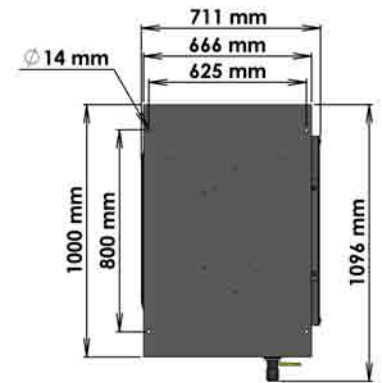
## REGULATOR MAINTENANCE

Description	Part number
Repair Kit 8 mm	155.750.901
8mm Cartridge	155.750.904



## EXTRUSION GUN REPAIR KIT

Description	Part number
Repair kit for 500 bar extrusion gun	151.110.695



Total weight : 226 kg

# NOTES

A series of horizontal dashed lines for taking notes, spanning the width of the page.

2 ball pumps

Expertise in dispensing

General information



# REXSON 32C207 MINI TWIN POST RAM (20-60 litres drums)



The REXSON 32C207 extrusion unit is specially designed for pumping viscous materials. SAMES KREMLIN equipment can process a wide range of materials including oils, greases, adhesives and sealants.

This equipment has proved itself over the years to be strong and reliable and can process products up to 300.000 centipoises depending on specification.

The system pumps directly from the original material container and is used on 20 to 60 liter pails (interior diameter 280 to 360 mm).

The modular conception allows you to select an extrusion system comprising of a pump, elevator, follower plate, gun and hoses + optional extras including filter, regulator, 4 wheel cart to suit your application.

 Equipment compliant with ATEX Directive.

## FEATURES

- Modular design
- Air motor design enables precise control
- Direct pumping from 20-60 liters pail
- Shovel pump technology
- Choice of double seal on follower plate
- Pneumatic driven pump

## BENEFITS

- Wide range of options available to suit most applications
- The unique air motor design ensures a constant controlled flow rate with low noise and minimum icing risk
- Clean wipe of the material drum saving materials
- Can be used with a wide range of materials
- Recommended for high viscosity and moisture-sensitive materials
- Safe for use with solvents and other flammable materials

## SPECIFICATIONS

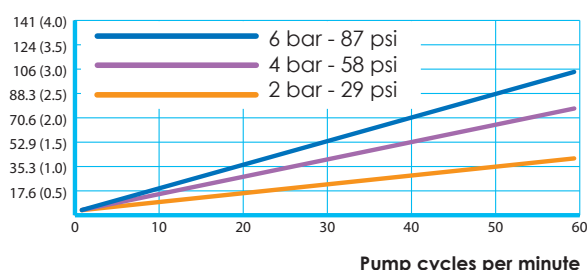
Pressure ratio	32/1
Motor type	5000
Fluid volume per cycle (cc)	207
Free flow rate at 60 cycles (L/mn)	12,4
Fluid Output at 15 Cycles (l/mn)	3,1
Air consumption (m <sup>3</sup> /h) at 30 cycles/mn at 4 bar	66
Maximum air inlet pressure (bar)	6
Maximum fluid pressure (bar)	192
Maximum Fluid Temperature (°C)	60
Seal packings	PTFE + PE
Wetted parts	Carbon steel
Weight (kg) - bare pump	31,5

## FITTINGS

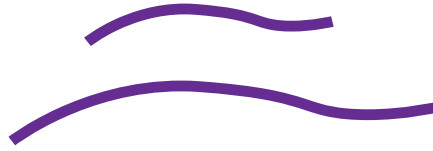
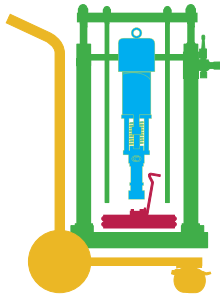
Fitting	Air Inlet	F 3/4" G <sup>(1)</sup>
	Fluid Inlet	Ø 80
	Fluid Outlet	F 3/4" G

(1) Recommended air supply hose diameter 1/2"

**Motor air consumption**  
(m<sup>3</sup>/min.) (Cubic feet/min.)



# REXSON 32C207 MINI TWIN POST RAM (20-60 litres drums)



## COMPLETE PUMP UNIT

Description	Part number
REXSON 32C207 extrusion pump with PTFE/PE seals (Ex II2G IIB T3)	151.060.000



## MINI TWIN POST RAM FOR REXSON 32C207 PUMP - PTFE/PE SEALS

Description	Part number
Mini twin post ram with air control and centering/hold-down clamps for 20-60 liters (Ex II2Gc)	151.080.500
Option: Pneumatic two-hand safety control	151.098.050
Option: Pneumatic low-level alarm for 20-60 liters	151.098.010



## FOLLOWER PLATE REFERENCE FOR REXSON 32C207 PUMP

Description	Type	Follower plate Ø (mm)	Follower plate Ø (inches)	Part number
Follower plate - Nitrile	Flat single seal	280 - 285	11 - 11,22	151.100.100
		305	12	151.100.200
		315	12,4	151.100.300
		360	14,17	151.100.400
Follower plate PTFE coated - EPDM	Double seal O'ring	280	11	151.102.100
		285	11,22	151.102.200
		305	12	151.102.300
		315	12,4	151.102.400
		360	14,17	151.102.500



## CART OPTION

Description	Part number
4 wheel cart (L=1020mm - W=750mm - H=1100mm)	151.098.060



## FILTER AND REGULATOR OPTIONS

Description	Part number
Option A: Regulator with fitting and mounting accessories (plate, fittings, hose...)	151.260.985
Option B: Filter with fitting and mounting accessories (plate, fittings, hose...)	151.260.986
Option C: Filter and regulator with fitting and mounting accessories (plate, fittings, hose...)	151.260.987



## HOSES AND FITTINGS KITS

Description	Diameter Fluid hose (")	Length (m)	Part number
Ø 3/8" PTFE hose 3/4" JIC fitting, lg 5m with all required fittings	3/8	5	151.260.980
Ø 1/2" PTFE hose 7/8" JIC fitting, lg 5m and PTFE Ø 3/8" whip end 3/4" JIC fitting, lg 2m with all required fittings	1/2 + 3/8	7	151.260.981
Ø 3/4" PTFE hose 1" 1/16 JIC fitting, lg 5m and PTFE Ø 3/8" whip end 3/4" JIC fitting, lg 2m with all required fittings	3/4 + 3/8	7	151.260.983
Ø 3/4" PTFE hose 1" 1/16 JIC fitting, lg 10m and PTFE Ø 3/8" whip end 3/4" JIC fitting, lg 2m with all required fittings	3/4 + 3/8	12	151.260.984
Ø 1/2" PTFE hose 7/8" JIC fitting, lg 10m and PTFE Ø 3/8" whip end 3/4" JIC fitting, lg 2m with all required fittings	1/2 + 3/8	12	151.260.982



## MANUAL GUN AND ACCESSORIES

Description	Part number
250 bar extrusion gun	151.110.200
Straight swivel fitting	105.485
Plastic disposable nozzles (x10)	151.110.290
Adaptor for plastic nozzles	150.103.539

2 ball pumps

Expertise in dispensing

General information

# REXSON 32C207 MINI TWIN POST RAM (20-60 litres drums)



## 3000 AIR MOTOR REPAIR KIT

Description	Part number
Seal motor kit	146.320.090
Silencer kit	146.320.091
Distributor kit	146.320.092
Distributor seal kit	146.320.093
Pneumatic kit	146.320.094
Piston rod seal kit	146.320.095
Safety valve 6,5 bar	903.080.401

## 207 CC FLUID SECTION REPAIR KIT

Description	Part number
Standard maintenance kit (PTFE + PE)	144.220.090
Repair kit	144.220.091
Cylinder kit	144.220.092
Optional maintenance kit (graphite-filled PTFE)	144.220.093
Optional maintenance kit (pu + graphite-filled PTFE)	144.220.094



## FOLLOWER PLATE REPAIR SEALS

Description	Part number
Ø 280 - 285 mm (11" - 11,2") flat seal	150.048.301
Ø 305 mm (12") flat seal	150.048.302
Ø 315 mm (12,4") flat seal	150.048.303
Ø 360mm (14,17") flat seal	150.048.304
Ø 280 - 285 mm (11") EPDM seal	150.048.306
Ø 305 mm (12") EPDM seal	150.048.307
Ø 315 mm (12,4") EPDM seal	150.048.308
Ø 360 mm (14,17") EPDM seal	150.048.309



## MINI TWIN POST RAM ELEVATOR MAINTENANCE KIT

Description	Part number
Seal kit	151.080.090
Manometer outlet back kit	151.080.091
Command button kit	151.080.092
Pushbutton kit	151.080.093
Base outlet manometer kit	151.080.094
3,8 bar valve kit	903.080.403



## FILTER MAINTENANCE

Description	Part number
FKM (Viton) O'ring seal	80.032
Cartridge filter (25 mesh - 710 µ)	601.084
Cartridge filter (50 mesh - 350 µ)	601.092
Cartridge filter (80 mesh - 201 µ)	601.287

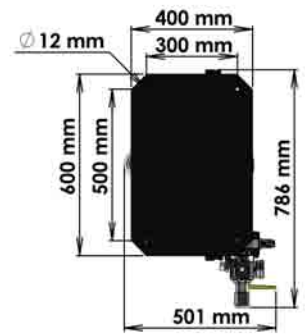
## REGULATOR MAINTENANCE

Description	Part number
Repair Kit 8 mm	155.750.901
8mm Cartridge	155.750.904



## EXTRUSION GUN REPAIR KIT

Description	Part number
Repair kit for 250 bar extrusion gun	151.110.690



Total weight : 100 kg

# NOTES

Area with horizontal dashed lines for taking notes.

2 ball pumps

Expertise in dispensing

General information

# REXSON 32C207 TWIN POST RAM (200 litres drums)



The REXSON 32C207 pump is specially designed for pumping viscous materials. SAMES KREMLIN equipment can process a wide range of materials including oils, greases, adhesives and sealants.

This equipment has proved itself over the years to be strong and reliable and can process products up to 300.000 centipoises depending on specification.

The system pumps directly from the original material container and is used on 200 liter pails (interior diameter 571 mm).

The modular conception allows you to select an extrusion system comprising of a pump, elevator, follower plate, gun and hoses + optional extras including filter, regulator to suit your application.

 Equipment compliant with ATEX Directive.

## FEATURES

Modular design

Air motor design enables precise control

Direct pumping from 200 lts drum

Shovel pump technology

Choice of double seal on follower plate

Pneumatic driven pump

## BENEFITS

Wide range of options available to suit most applications

The unique air motor design ensures a constant controlled flow rate with low noise and minimum icing risk

Clean wipe of the material drum saving materials

Can be used with a wide range of materials

Recommended for high viscosity and moisture-sensitive materials

Safe for use with solvents and other flammable materials

## SPECIFICATIONS

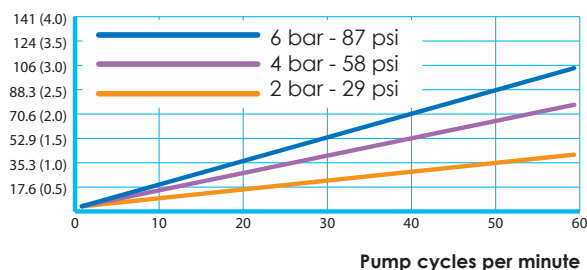
Pressure ratio	32/1
Motor type	5000
Fluid volume per cycle (cc)	207
Free flow rate at 60 cycles (L/mn)	12,4
Fluid Output at 15 Cycles (l/mn)	3,1
Air consumption (m <sup>3</sup> /h) at 30 cycles/mn at 4 bar	66
Maximum air inlet pressure (bar)	6
Maximum fluid pressure (bar)	192
Maximum Fluid Temperature (°C)	60
Seal packings	PTFE + PE
Wetted parts	Carbon steel
Weight (kg) - bare pump	31,5

## FITTINGS

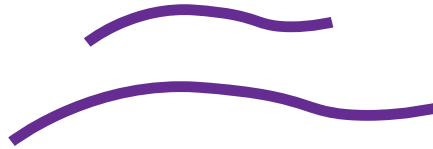
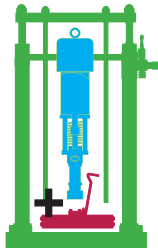
Fitting	Air Inlet	F 3/4" G <sup>(1)</sup>
	Fluid Inlet	Ø 80
	Fluid Outlet	F 3/4" G

(1) Recommended air supply hose diameter 1/2"

Motor air consumption  
(m<sup>3</sup>/min.) (Cubic feet/min).



# REXSON 32C207 TWIN POST RAM (200 litres drums)



## COMPLETE PUMP UNIT

Description	Part number
REXSON 32C207 extrusion pump with PTFE/PE seals (☎ I12G I1B T3)	151.060.000



## TWIN POST RAM FOR PUMP REXSON 32C207- PTFE/PE SEALS

Description	Part number
Double post ram with air control for 200 liters drums and centering/hold-down clamps (☎ I12Gc)	151.090.500
Option: Pneumatic two-hand safety control	151.098.050
Option: Pneumatic low level alarm for 200 liters drums	151.098.020
Drum roller unit for 200 litres drum	151.098.100



## FOLLOWER PLATES FOR REXSON 32C207 PUMP

Description	Type	Follower plate Ø (mm)	Follower plate Ø (inches)	Part number
Follower plate - Nitrile	Single flat seal	571	22,48	151.100.500
Follower plate PTFE coated- EPDM	Double seal O'ring	571	22,48	151.102.600



## FILTER AND REGULATOR OPTIONS

Description	Part number
Option A: Regulator with fitting and mounting accessories (plate, fittings, hose...)	151.260.985
Option B: Filter with fitting and mounting accessories (plate, fittings, hose...)	151.260.986
Option C: Filter and regulator with fitting and mounting accessories (plate, fittings, hose...)	151.260.987



## HOSES AND FITTINGS KITS

Description	Diameter Fluid hose (")	Length (m)	Part number
Ø 3/8" PTFE hose 3/4" JIC fitting, lg 5m with all required fittings	3/8	5	151.260.980
Ø 1/2" PTFE hose 7/8" JIC fitting, lg 5m and PTFE Ø 3/8" whip end 3/4" JIC fitting, lg 2m with all required fittings	1/2 + 3/8	7	151.260.981
Ø 3/4" PTFE hose 1" 1/16 JIC fitting, lg 5m and PTFE Ø 3/8" whip end 3/4" JIC fitting, lg 2m with all required fittings	3/4 + 3/8	7	151.260.983
Ø 3/4" PTFE hose 1" 1/16 JIC fitting, lg 10m and PTFE Ø 3/8" whip end 3/4" JIC fitting, lg 2m with all required fittings	3/4 + 3/8	12	151.260.984
Ø 1/2" PTFE hose 7/8" JIC fitting, lg 10m and PTFE Ø 3/8" whip end 3/4" JIC fitting, lg 2m with all required fittings	1/2 + 3/8	12	151.260.982



## MANUAL GUN AND ACCESSORIES

Description	Part number
250 bar extrusion gun	151.110.200
Straight swivel fitting	105.485
Plastic disposable nozzles (x10)	151.110.290
Adaptor for plastic nozzles	150.103.539

# REXSON 32C207 TWIN POST RAM (200 litres drums)



## 5000 AIR MOTOR REPAIR KIT

Description	Part number
Seal motor kit	146.320.090
Silencer kit	146.320.091
Distributor kit	146.320.092
Distributor seal kit	146.320.093
Pneumatic kit	146.320.094
Piston rod seal kit	146.320.095
Safety valve 6,5 bar	903.080.401

## 207 CC FLUID SECTION REPAIR KIT

Description	Part number
Standard maintenance kit (PTFE + PE)	144.220.090
Repair kit	144.220.091
Cylinder kit	144.220.092
Optional maintenance kit (graphite-filled PTFE)	144.220.093
Optional maintenance kit (pu + graphite-filled PTFE)	144.220.094



## FOLLOWER PLATE REPAIR SEALS

Description	Part number
Ø 280 - 285 mm (11" - 11,2") flat seal	150.048.301
Ø 305 mm (12") flat seal	150.048.302



## DOUBLE POST RAM ELEVATOR MAINTENANCE KIT

Description	Part number
Seal kit	151.080.090
Manometer outlet back kit	151.080.091
Command button kit	151.080.092
Pushbutton kit	151.080.093
Base outlet manometer kit	151.080.094
3,8 bar valve kit	903.080.403



## FILTER MAINTENANCE

Description	Part number
FKM (Viton) O'ring seal	80.032
Cartridge filter (25 mesh - 710 µ)	601.084
Cartridge filter (50 mesh - 350 µ)	601.092
Cartridge filter (80 mesh - 201 µ)	601.287

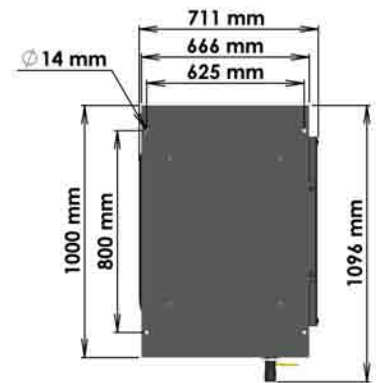
## REGULATOR MAINTENANCE

Description	Part number
Repair Kit 8 mm	155.750.901
8mm Cartridge	155.750.904



## EXTRUSION GUN REPAIR KIT

Description	Part number
Repair kit for 250 bar extrusion gun	151.110.690



Total weight : 227 kg

# NOTES

A series of horizontal dashed lines for taking notes, spanning the width of the page.

2 ball pumps

Expertise in dispensing

General information



# REXSON 53C216 MINI TWIN POST RAM (20-60 LITRES DRUMS)



The REXSON 53C216 pump is specially designed for pumping viscous materials. SAMES KREMLIN equipment can process a wide range of materials including oils, greases, adhesives and sealants.

This equipment has proved itself over the years to be strong and reliable and can process products up to 500.000 centipoises depending on specification.

The system pumps directly from the original material container and is used on 20 to 60 liter pails (interior diameter 360 mm).

The modular conception allows you to select an extrusion system comprising of a pump, elevator, follower plate, gun and hoses + optional extras including filter, regulator, to suit your application.

 Equipment compliant with ATEX Directive.

## FEATURES

- Modular design
- Air motor design enables precise control
- Direct pumping from 20-60 liters pail
- Shovel pump technology
- Choice of double seal on follower plate
- Pneumatic driven pump

## BENEFITS

- Wide range of options available to suit most applications
- The unique air motor design ensures a constant controlled flow rate with low noise and minimum icing risk
- Clean wipe of the material drum saving materials
- Can be used with a wide range of materials
- Recommended for high viscosity and moisture-sensitive materials
- Safe for use with solvents and other flammable materials

## SPECIFICATIONS

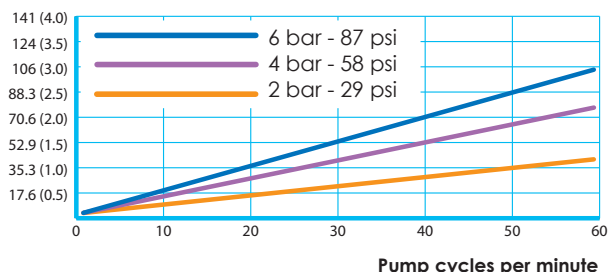
Pressure ratio	53/1
Motor type	7000
Fluid volume per cycle (cc)	216
Free flow rate at 60 cycles (L/mn)	12,9
Fluid Output at 15 Cycles (l/mn)	3,3
Air consumption (m <sup>3</sup> /h) at 30 cycles/mn at 4 bar	102
Maximum air inlet pressure (bar)	6
Maximum fluid pressure (bar)	318
Maximum Fluid Temperature (°C)	60
Seal packings	PTFE + PE
Wetted parts	Carbon steel
Weight (kg) - bare pump	51

## FITTINGS

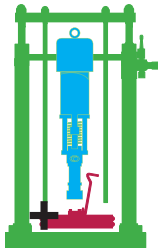
Fitting	Air Inlet	F 3/4" G <sup>(1)</sup>
	Fluid Inlet	Ø 105
	Fluid Outlet	F 1" G

(1) Recommended air supply hose diameter 1/2"

Motor air consumption  
(m<sup>3</sup>/min.) (Cubic feet/min.)



# REXSON 53C216 MINI TWIN POST RAM (20-60 LITRES DRUMS)



## COMPLETE PUMP UNIT

Description	Part number
REXSON 53C216 extrusion pump with PTFE seals (☞ II2G IIB T3)	151.070.000



## MINI TWIN POST RAM FOR REXSON 53C216 PUMP - PTFE/PE SEALS

Description	Part number
Mini twin post ram with air control and centering/hold-down clamps for 20-60 liters (☞ II2Gc)	151.080.500
Option: Runaway valve - to be fitted on the air inlet (3/4" NPT)	151.098.070
Option: Pneumatic two-hand safety control	151.098.050
Option: Pneumatic low-level alarm for 20-60 liters	151.098.010



## FOLLOWER PLATE REFERENCE FOR REXSON 53C216 PUMP

Description	Type	Follower plate Ø (mm)	Follower plate Ø (inches)	Part number
Follower plate - Nitrile	Flat single seal	280 - 285	11 - 11,22	151.100.100
		305	12	151.100.200
		315	12,4	151.100.300
		360	14,17	151.100.400
Follower plate PTFE coated - EPDM	Double seal O'ring	280	11	151.102.100
		285	11,22	151.102.200
		305	12	151.102.300
		315	12,4	151.102.400
		360	14,17	151.102.500



## FILTER AND REGULATOR OPTIONS

Description	Part number
Option A: Regulator with fitting and mounting accessories (plate, fittings, hose...)	151.260.985
Option B: Filter with fitting and mounting accessories (plate, fittings, hose...)	151.260.986
Option C: Filter and regulator with fitting and mounting accessories (plate, fittings, hose...)	151.260.987



## HOSES AND FITTINGS KITS

Description	Diameter Fluid hose (")	Length (m)	Part number
Ø 3/8" PTFE hose 3/4" JIC fitting, lg 5m with all required fittings	3/8	5	151.260.980
Ø 1/2" PTFE hose 7/8" JIC fitting, lg 5m and PTFE Ø 3/8" whip end 3/4" JIC fitting, lg 2m with all required fittings	1/2 + 3/8	7	151.260.981
Ø 3/4" PTFE hose 1" 1/16 JIC fitting, lg 5m and PTFE Ø 3/8" whip end 3/4" JIC fitting, lg 2m with all required fittings	3/4 + 3/8	7	151.260.983
Ø 3/4" PTFE hose 1" 1/16 JIC fitting, lg 10m and PTFE Ø 3/8" whip end 3/4" JIC fitting, lg 2m with all required fittings	3/4 + 3/8	12	151.260.984
Ø 1/2" PTFE hose 7/8" JIC fitting, lg 10m and PTFE Ø 3/8" whip end 3/4" JIC fitting, lg 2m with all required fittings	1/2 + 3/8	12	151.260.982



## MANUAL GUN AND ACCESSORIES

Description	Part number
250 bar extrusion gun	151.110.200
Straight swivel fitting	105.485
Plastic disposable nozzles (x10)	151.110.290
Adaptor for plastic nozzles	150.103.539



**7000 AIR MOTOR REPAIR KIT**

Description	Part number
Seal Motor kit	146.330.090
Silencer kit	146.320.091
Distributor kit	146.320.092
Distributor seal kit	146.320.093
Pneumatic kit	146.320.094
Piston rod seal kit	146.320.095
Safety valve 6,5 bar	903.080.401

**216 CC FLUID SECTION REPAIR KIT**

Description	Part number
Standard maintenance kit (PTFE + PE)	144.230.090
Repair kit	144.230.091
Cylinder kit	144.230.092
Optional maintenance kit (graphite-filled PTFE)	144.230.093
Optional maintenance kit (pu + graphite-filled PTFE)	144.230.094



**FOLLOWER PLATE REPAIR SEALS**

Description	Part number
Ø 280 - 285 mm (11" - 11,2") flat seal	150.048.301
Ø 305 mm (12") flat seal	150.048.302
Ø 315 mm (12,4") flat seal	150.048.303
Ø 360mm (14,17") flat seal	150.048.304
Ø 280 - 285 mm (11") EPDM seal	150.048.306
Ø 305 mm (12") EPDM seal	150.048.307
Ø 315 mm (12,4") EPDM seal	150.048.308
Ø 360 mm (14,17") EPDM seal	150.048.309



**MINI TWIN POST RAM ELEVATOR MAINTENANCE KIT**

Description	Part number
Seal kit	151.080.090
Manometer outlet back kit	151.080.091
Command button kit	151.080.092
Pushbutton kit	151.080.093
Base outlet manometer kit	151.080.094
3,8 bar valve kit	903.080.403



**FILTER MAINTENANCE**

Description	Part number
FKM (Viton) O'ring seal	80.032
Cartridge filter (25 mesh - 710 µ)	601.084
Cartridge filter (50 mesh - 350 µ)	601.092
Cartridge filter (80 mesh - 201 µ)	601.287

**REGULATOR MAINTENANCE**

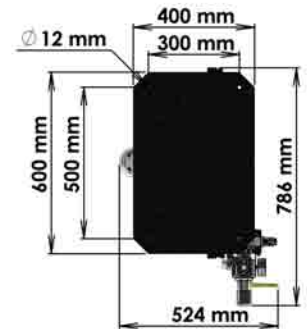
Description	Part number
Repair Kit 8 mm	155.750.901
8mm Cartridge	155.750.904



**EXTRUSION GUN REPAIR KIT**

Description	Part number
Repair kit for 250 bar extrusion gun	151.110.690

# REXSON 53C216 MINI TWIN POST RAM (20-60 LITRES DRUMS)



Total weight : 119 kg

# NOTES

A series of horizontal dashed lines for taking notes, spanning the width of the page.

2 ball pumps

Expertise in dispensing

General information

# REXSON 53C216 TWIN POST RAM (200 LITRES DRUMS)



The REXSON 53C216 pump is specially designed for pumping viscous materials. SAMES KREMLIN equipment can process a wide range of materials including oils, greases, adhesives and sealants.

This equipment has proved itself over the years to be strong and reliable and can process products up to 500.000 centipoises depending on specification.

The system pumps directly from the original material container and is used on 200 liter drums (interior diameter 571 mm).

The modular conception allows you to select an extrusion system comprising of a pump, elevator, follower plate, gun and hoses + optional extras including filter, regulator to suit your application.

 Equipment compliant with ATEX Directive.

## FEATURES

Modular design
Air motor design enables precise control
Direct pumping from 200 lts drum
Shovel pump technology
Choice of double seal on follower plate
Pneumatic driven pump

## BENEFITS

Wide range of options available to suit most applications
The unique air motor design ensures a constant controlled flow rate with low noise and minimum icing risk
Clean wipe of the material drum saving materials
Can be used with a wide range of materials
Recommended for high viscosity and moisture-sensitive materials
Safe for use with solvents and other flammable materials

## SPECIFICATIONS

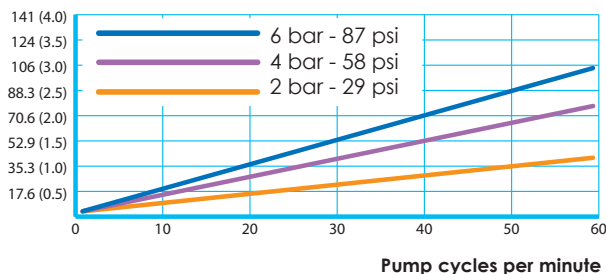
Pressure ratio	53/1
Motor type	7000
Fluid volume per cycle (cc)	216
Free flow rate at 60 cycles (L/mn)	12,9
Fluid Output at 15 Cycles (l/mn)	3,3
Air consumption (m <sup>3</sup> /h) at 30 cycles/mn at 4 bar	102
Maximum air inlet pressure (bar)	6
Maximum fluid pressure (bar)	318
Maximum Fluid Temperature (°C)	60
Seal packings	PTFE + PE
Wetted parts	Carbon steel
Weight (kg) - bare pump	51

## FITTINGS

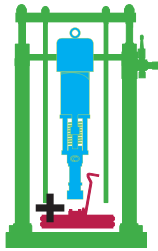
Fitting	Air Inlet	F 3/4" G <sup>(1)</sup>
	Fluid Inlet	Ø 105
	Fluid Outlet	F 1" G

(1) Recommended air supply hose diameter 1/2"

**Motor air consumption**  
(m<sup>3</sup>/min.) (Cubic feet/min.)



# REXSON 53C216 TWIN POST RAM (200 LITRES DRUMS)



## COMPLETE PUMP UNIT

Description	Part number
REXSON 53C216 extrusion pump with PTFE seals (☼ II2G IIB T3)	151.070.000



## TWIN POST RAM FOR REXSON 53C216 PUMP - PTFE/PE SEALS

Description	Part number
Double post ram with air control for 200 liters drums and centering/hold-down clamps (☼ II2Gc)	151.090.500
Option: Runaway valve - to be fitted on the air inlet (3/4" NPT)	151.098.070
Option: Pneumatic two-hand safety control	151.098.050
Option: Pneumatic low level alarm for 200 liters drums	151.098.020
Drum roller unit for 200 litres drum	151.098.100



## FOLLOWER PLATES FOR REXSON 53C216 PUMP

Description	Type	Follower plate Ø (mm)	Follower plate Ø (inches)	Part number
Follower plate - Nitrile	Single flat seal	571	22.48	151.100.500
Follower plate PTFE coated - EPDM	Double seal O'ring	571	22.48	151.102.600



## FILTER AND REGULATOR OPTIONS

Description	Part number
Option A: Regulator with fitting and mounting accessories (plate, fittings, hose...)	151.260.985
Option B: Filter with fitting and mounting accessories (plate, fittings, hose...)	151.260.986
Option C: Filter and regulator with fitting and mounting accessories (plate, fittings, hose...)	151.260.987



## HOSES AND FITTINGS KITS

Description	Diameter Fluid hose (")	Length (m)	Part number
Ø 3/8" PTFE hose 3/4" JIC fitting, lg 5m with all required fittings	3/8	5	151.260.980
Ø 1/2" PTFE hose 7/8" JIC fitting, lg 5m and PTFE Ø 3/8" whip end 3/4" JIC fitting, lg 2m with all required fittings	1/2 + 3/8	7	151.260.981
Ø 3/4" PTFE hose 1" 1/16 JIC fitting, lg 5m and PTFE Ø 3/8" whip end 3/4" JIC fitting, lg 2m with all required fittings	3/4 + 3/8	7	151.260.983
Ø 3/4" PTFE hose 1" 1/16 JIC fitting, lg 10m and PTFE Ø 3/8" whip end 3/4" JIC fitting, lg 2m with all required fittings	3/4 + 3/8	12	151.260.984
Ø 1/2" PTFE hose 7/8" JIC fitting, lg 10m and PTFE Ø 3/8" whip end 3/4" JIC fitting, lg 2m with all required fittings	1/2 + 3/8	12	151.260.982



## MANUAL GUN AND ACCESSORIES

Description	Part number
250 bar extrusion gun	151.110.200
Straight swivel fitting	105.485
Plastic disposable nozzles (x10)	151.110.290
Adaptor for plastic nozzles	150.103.539

# REXSON 53C216 TWIN POST RAM (200 LITRES DRUMS)



## 7000 AIR MOTOR REPAIR KIT

Description	Part number
Seal Motor kit	146.330.090
Silencer kit	146.320.091
Distributor kit	146.320.092
Distributor seal kit	146.320.093
Pneumatic kit	146.320.094
Piston rod seal kit	146.320.095
Safety valve 6,5 bar	903.080.401

## 216 CC FLUID SECTION REPAIR KIT

Description	Part number
Standard maintenance kit (PTFE + PE)	144.230.090
Repair kit	144.230.091
Cylinder kit	144.230.092
Optional maintenance kit (graphite-filled PTFE)	144.230.093
Optional maintenance kit (pu + graphite-filled PTFE)	144.230.094



## FOLLOWER PLATE REPAIR SEALS

Description	Part number
Ø 571 mm (22.48") Flat single seal	150.048.305
Ø 571 mm (22.48") EPDM seal	150.048.310



## TWIN POST RAM ELEVATOR MAINTENANCE KIT

Description	Part number
Seal kit	151.080.090
Manometer outlet back kit	151.080.091
Command button kit	151.080.092
Pushbutton kit	151.080.093
Base outlet manometer kit	151.080.094
3,8 bar valve kit	903.080.403



## FILTER MAINTENANCE

Description	Part number
FKM (Viton) O'ring seal	80.032
Cartridge filter (25 mesh - 710 µ)	601.084
Cartridge filter (50 mesh - 350 µ)	601.092
Cartridge filter (80 mesh - 201 µ)	601.287

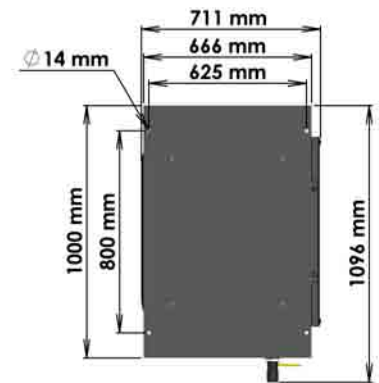
## REGULATOR MAINTENANCE

Description	Part number
Repair Kit 8 mm	155.750.901
8mm Cartridge	155.750.904



## EXTRUSION GUN REPAIR KIT

Description	Part number
Repair kit for 250 bar extrusion gun	151.110.690



Total weight : 247 kg

# NOTES

A series of horizontal dashed lines for taking notes, spanning the width of the page.

2 ball pumps

Expertise in dispensing

General information



# REXSON 82C216 MINI TWIN POST RAM (20-60 LITERS DRUM)



The REXSON 82C216 pump is specially designed for pumping viscous materials. SAMES KREMLIN equipment can process a wide range of materials including oils, greases, adhesives and sealants.

This equipment has proved itself over the years to be strong and reliable and can process products up to 1 million centipoises depending on specification.

The system pumps directly from the original material container and is used on 20 to 60 liter pails (interior diameter 280 to 360 mm).

The modular conception allows you to select an extrusion system comprising of a pump, elevator, follower plate, gun and hoses + optional extras including filter, regulator to suit your application.

 Equipment compliant with ATEX Directive.

## FEATURES

- Modular design
- Air motor design enables precise control
- Direct pumping from 20-60 liters pail
- Shovel pump technology
- Choice of double seal on follower plate
- Pneumatic driven pump

## BENEFITS

- Wide range of options available to suit most applications
- The unique air motor design ensures a constant controlled flow rate with low noise and minimum icing risk
- Clean wipe of the material drum saving materials
- Can be used with a wide range of materials
- Recommended for high viscosity and moisture-sensitive materials
- Safe for use with solvents and other flammable materials

## SPECIFICATIONS

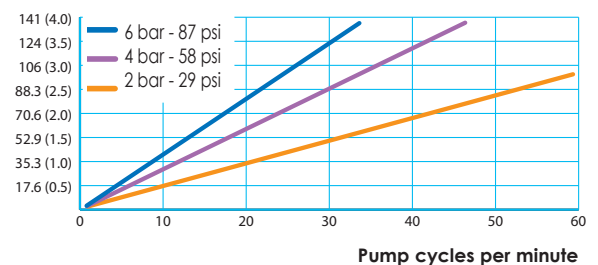
Pressure ratio	82/1
Motor type	9000
Fluid volume per cycle (cc)	216
Free flow rate at 60 cycles (L/mn)	12,9
Fluid Output at 15 Cycles (l/mn)	3,3
Air consumption (m <sup>3</sup> /h) at 30 cycles/mn at 4 bar	102
Maximum air inlet pressure (bar)	6
Maximum fluid pressure (bar)	492
Maximum Fluid Temperature (°C)	60
Seal packings	PTFE + PE
Wetted parts	Carbon steel
Weight (kg) - bare pump	62

## FITTINGS

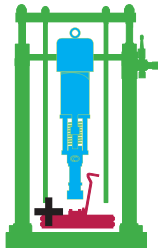
Fitting	Air Inlet	F 3/4" G <sup>(1)</sup>
	Fluid Inlet	Ø 105
	Fluid Outlet	F 1" G

(1) Recommended air supply hose diameter 1/2"

**Motor air consumption**  
(m<sup>3</sup>/min.) (Cubic feet/min.)



# REXSON 82C216 MINI TWIN POST RAM (20-60 LITERS DRUM)



## COMPLETE PUMP UNIT

Description	Part number
REXSON 82C216 extrusion pump with PTFE/PE seals (☞ II2G IIB T3)	151.070.500



## MINI TWIN POST RAM FOR REXSON 82C216 PUMP - PTFE/PE SEALS

Description	Part number
Mini twin post ram with air control and centering/hold-down clamps for 20-60 liters (☞ II2Gc)	151.080.500
Option: Runaway valve - to be fitted on the air inlet (3/4" NPT)	151.098.070
Option: Pneumatic two-hand safety control	151.098.050
Option: Pneumatic low-level alarm for 20-60 liters	151.098.010



## FOLLOWER PLATE FOR REXSON 82C216 PUMP

Description	Type	Follower plate Ø (mm)	Follower plate Ø (inches)	Part number
Follower plate - Nitrile	Flat single seal	280 - 285	11 - 11,22	151.100.100
		305	12	151.100.200
		315	12,4	151.100.300
		360	14,17	151.100.400
Follower plate PTFE coated - EPDM	Double seal O'ring	280	11	151.102.100
		285	11,22	151.102.200
		305	12	151.102.300
		315	12,4	151.102.400
		360	14,17	151.102.500



## FILTER AND REGULATOR OPTIONS

Description	Part number
Option A: Regulator with fitting and mounting accessories (plate, fittings, hose...)	151.260.985
Option B: Filter with fitting and mounting accessories (plate, fittings, hose...)	151.260.986
Option C: Filter and regulator with fitting and mounting accessories (plate, fittings, hose...)	151.260.987



## HOSES AND FITTINGS KITS

Description	Diameter Fluid hose (")	Length (m)	Part number
Ø 1/2" PTFE hose 7/8" JIC fitting, lg 5m and PTFE Ø 3/8" whip end 3/4" JIC fitting, lg 2m with all required fittings	1/2 + 3/8	7	151.260.981
Ø 3/4" PTFE hose 1" 1/16 JIC fitting, lg 5m and PTFE Ø 3/8" whip end 3/4" JIC fitting, lg 2m with all required fittings	3/4 + 3/8	7	151.260.983
Ø 1/2" PTFE hose 7/8" JIC fitting, lg 10m and PTFE Ø 3/8" whip end 3/4" JIC fitting, lg 2m with all required fittings	1/2 + 3/8	12	151.260.982
Ø 3/4" PTFE hose 1" 1/16 JIC fitting, lg 10m and PTFE Ø 3/8" whip end 3/4" JIC fitting, lg 2m with all required fittings	3/4 + 3/8	12	151.260.984



## MANUAL GUN AND ACCESSORIES

Description	Part number
Extrusion gun 500 bar (equipped)	151.110.600
Plastic disposable nozzles (x10)	151.110.290

# REXSON 82C216 MINI TWIN POST RAM (20-60 LITERS DRUM)



## 9000 AIR MOTOR KIT

Description	Part number
Air motor seal kit	146.340.090
Silencer kit	146.320.091
Distributor kit	146.320.092
Distributor seal kit	146.320.093
Pneumatic kit	146.320.094
Piston rod seal kit	146.320.095
Safety valve 6,5 bar	903.080.401

## 216 CC FLUID SECTION REPAIR KIT

Description	Part number
Standard maintenance kit (PTFE + PE)	144.230.090
Repair kit	144.230.091
Cylinder kit	144.230.092
Optional maintenance kit (graphite-filled PTFE)	144.230.093
Optional maintenance kit (pu + graphite-filled PTFE)	144.230.094



## FOLLOWER PLATE REPAIR SEALS

Description	Part number
Ø 280 - 285 mm (11" - 11,2") flat seal	150.048.301
Ø 305 mm (12") flat seal	150.048.302
Ø 315 mm (12,4") flat seal	150.048.303
Ø 360mm (14,17") flat seal	150.048.304
Ø 280 - 285 mm (11") EPDM seal	150.048.306
Ø 305 mm (12") EPDM seal	150.048.307
Ø 315 mm (12,4") EPDM seal	150.048.308
Ø 360 mm (14,17") EPDM seal	150.048.309



## MINI TWIN POST RAM ELEVATOR MAINTENANCE KIT

Description	Part number
Seal kit	151.080.090
Manometer outlet back kit	151.080.091
Command button kit	151.080.092
Pushbutton kit	151.080.093
Base outlet manometer kit	151.080.094
3,8 bar valve kit	903.080.403



## FILTER MAINTENANCE

Description	Part number
FKM (Viton) O'ring seal	80.032
Cartridge filter (25 mesh - 710 µ)	601.084
Cartridge filter (50 mesh - 350 µ)	601.092
Cartridge filter (80 mesh - 201 µ)	601.287

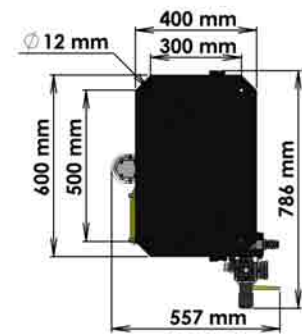
## REGULATOR MAINTENANCE

Description	Part number
Repair Kit 8 mm	155.750.901
8mm Cartridge	155.750.904



## EXTRUSION GUN REPAIR KIT

Description	Part number
Repair kit for 500 bar extrusion gun	151.110.695



Total weight : 130 kg

# NOTES

Area with horizontal dashed lines for taking notes.

2 ball pumps

Expertise in dispensing

General information

# REXSON 82C216 TWIN POST RAM (200 LITERS DRUM)



The REXSON 82C216 pump is specially designed for pumping viscous materials. SAMES KREMLIN equipment can process a wide range of materials including oils, greases, adhesives and sealants.

This equipment has proved itself over the years to be strong and reliable and can process products up to 1 million centipoises depending on specification.

The system pumps directly from the original material container and is used on 200 liter pails (interior diameter 571 mm).

The modular conception allows you to select an extrusion system comprising of a pump, elevator, follower plate, gun and hoses + optional extras including filter, regulator to suit your application.

 Equipment compliant with ATEX Directive.

### FEATURES

- Modular design
- Air motor design enables precise control
- Direct pumping from 200 lts drum
- Shovel pump technology
- Choice of double seal on follower plate
- Pneumatic driven pump

### BENEFITS

- Wide range of options available to suit most applications
- The unique air motor design ensures a constant controlled flow rate with low noise and minimum icing risk
- Clean wipe of the material drum saving materials
- Can be used with a wide range of materials
- Recommended for high viscosity and moisture-sensitive materials
- Safe for use with solvents and other flammable materials

### SPECIFICATIONS

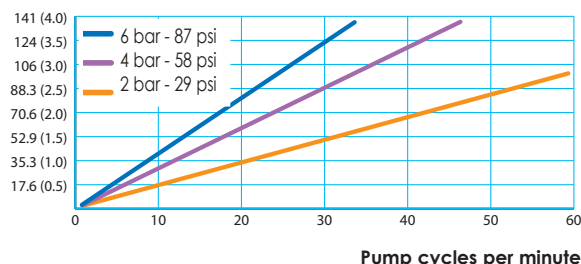
Pressure ratio	82/1
Motor type	9000
Fluid volume per cycle (cc)	216
Free flow rate at 60 cycles (L/mn)	12,9
Fluid Output at 15 Cycles (l/mn)	3,3
Air consumption (m <sup>3</sup> /h) at 30 cycles/mn at 4 bar	102
Maximum air inlet pressure (bar)	6
Maximum fluid pressure (bar)	492
Maximum Fluid Temperature (°C)	60
Seal packings	PTFE + PE
Wetted parts	Carbon steel
Weight (kg) - bare pump	62

### FITTINGS

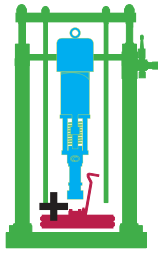
Fitting	Air Inlet	F 3/4" G <sup>(1)</sup>
	Fluid Inlet	Ø 105
	Fluid Outlet	F 1" G

(1) Recommended air supply hose diameter 1/2"

**Motor air consumption**  
(m<sup>3</sup>/min.) (Cubic feet/min.)



# REXSON 82C216 TWIN POST RAM (200 LITERS DRUM)



## COMPLETE PUMP UNIT

Description	Part number
REXSON 82C216 extrusion pump with PTFE/PE seals (☎ II2G IIB T3)	151.070.500



## TWIN POST RAM FOR REXSON 82C216 PUMP - PTFE/PE SEALS

Description	Part number
Double post ram with air control for 200 liters drums and centering/hold-down clamps (☎ II2Gc)	151.090.500
Option: Runaway valve - to be fitted on the air inlet (3/4" NPT)	151.098.070
Option: Pneumatic two-hand safety control	151.098.050
Option: Pneumatic low level alarm for 200 liters drums	151.098.020
Drum roller unit for 200 litres drum	151.098.100



## FOLLOWER PLATES FOR REXSON 82C216 PUMP

Description	Type	Follower plate Ø (mm)	Follower plate Ø (inches)	Part number
Follower plate - Nitrile	Single flat seal	571	22,48	151.100.500
Follower plate PTFE coated- EPDM	Double seal O'ring	571	22,48	151.102.600



## FILTER AND REGULATOR OPTIONS

Description	Part number
Option A: Regulator with fitting and mounting accessories (plate, fittings, hose...)	151.260.985
Option B: Filter with fitting and mounting accessories (plate, fittings, hose...)	151.260.986
Option C: Filter and regulator with fitting and mounting accessories (plate, fittings, hose...)	151.260.987



## HOSES AND FITTINGS KITS

Description	Diameter Fluid hose (")	Length (m)	Part number
Ø 1/2" PTFE hose 7/8" JIC fitting, lg 5m and PTFE Ø 3/8" whip end 3/4" JIC fitting, lg 2m with all required fittings	1/2 + 3/8	7	151.260.981
Ø 3/4" PTFE hose 1" 1/16 JIC fitting, lg 5m and PTFE Ø 3/8" whip end 3/4" JIC fitting, lg 2m with all required fittings	3/4 + 3/8	7	151.260.983
Ø 1/2" PTFE hose 7/8" JIC fitting, lg 10m and PTFE Ø 3/8" whip end 3/4" JIC fitting, lg 2m with all required fittings	1/2 + 3/8	12	151.260.982
Ø 3/4" PTFE hose 1" 1/16 JIC fitting, lg 10m and PTFE Ø 3/8" whip end 3/4" JIC fitting, lg 2m with all required fittings	3/4 + 3/8	12	151.260.984



## MANUAL GUN AND ACCESSORIES

Description	Part number
Extrusion gun 500 bar (equipped)	151.110.600
Plastic disposable nozzles (x10)	151.110.290

# REXSON 82C216 TWIN POST RAM (200 LITERS DRUM)



## 9000 AIR MOTOR REPAIR KIT

Description	Part number
Air motor seal kit	146.340.090
Silencer kit	146.320.091
Distributor kit	146.320.092
Distributor seal kit	146.320.093
Pneumatic kit	146.320.094
Piston rod seal kit	146.320.095
Safety valve 6,5 bar	903.080.401

## 216 CC FLUID SECTION REPAIR KIT

Description	Part number
Standard maintenance kit (PTFE + PE)	144.230.090
Repair kit	144.230.091
Cylinder kit	144.230.092
Optional maintenance kit (graphite-filled PTFE)	144.230.093
Optional maintenance kit (pu + graphite-filled PTFE)	144.230.094



## FOLLOWER PLATE REPAIR SEALS

Description	Part number
Ø 571 mm (22.48") Flat single seal	150.048.305
Ø 571 mm (22.48") EPDM seal	150.048.310



## TWIN POST RAM ELEVATOR MAINTENANCE KIT

Description	Part number
Seal kit	151.080.090
Manometer outlet back kit	151.080.091
Command button kit	151.080.092
Pushbutton kit	151.080.093
Base outlet manometer kit	151.080.094
3,8 bar valve kit	903.080.403



## FILTER MAINTENANCE

Description	Part number
FKM (Viton) O'ring seal	80.032
Cartridge filter (25 mesh - 710 µ)	601.084
Cartridge filter (50 mesh - 350 µ)	601.092
Cartridge filter (80 mesh - 201 µ)	601.287

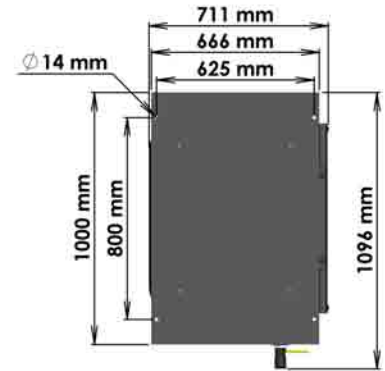
## REGULATOR MAINTENANCE

Description	Part number
Repair Kit 8 mm	155.750.901
8mm Cartridge	155.750.904



## EXTRUSION GUN REPAIR KIT

Description	Part number
Repair kit for 500 bar extrusion gun	151.110.695



Total weight : 258 kg

# NOTES

A series of horizontal dashed lines for taking notes.

2 ball pumps

Expertise in dispensing

General information





# EXPERTISE IN DISPENSING

# MAIN FEATURES AND BENEFITS FOR REXSON AIR MOTOR: THE POWER HOUSE

SAMES KREMLIN manufactures a full range of motors to ensure optimised air fluid ratios. It is important to be sure you always have sufficient material pressure to move the material being processed to the dispensing valve. The restriction to your flow is called Back Pressure and is due to material viscosity or hose size.

Hence the power of the motor/ pump combination, is key to your success

$$\frac{S1 \text{ (AIR MOTOR PISTON SURFACE AREA)}}{S2 \text{ (PUMP PISTON SURFACE AREA)}} = \text{PUMP PRESSURE RATIO}$$

This pump pressure ratio determines the maximum possible PUMP MATERIAL OUTLET PRESSURE.

$$\text{PUMP PRESSURE RATIO} \times \text{inbound driving air pressure (max. 6 bar)} = \text{STALLED FLUID OUTLET PRESSURE}$$

$$\text{Example: Pump REXSON 63C106} = 63 \text{ (ratio)} \times 6 \text{ (air pressure)} = 378 \text{ bar}$$

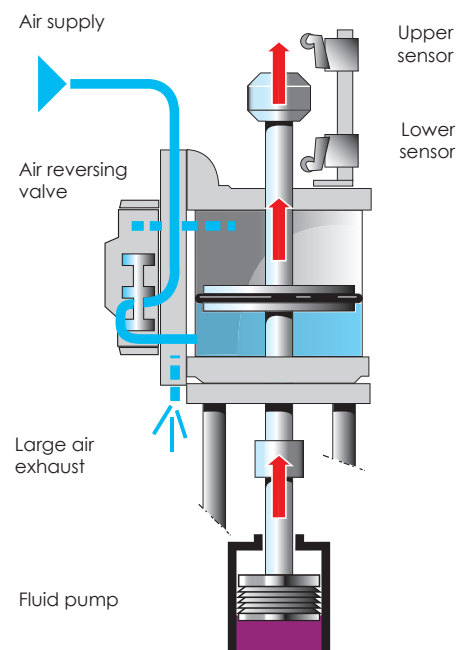
The unique design of the SAMES KREMLIN air motor is based on many years of development This has resulted in a simple reliable design. All REXSON air motors are built using the same features.

## MAIN ADVANTAGES OF A REXSON AIR MOTOR DESIGN



- Very quiet running
- Thru shaft air motor giving perfect support to the piston shaft
- Balanced volumes on the top and bottom of the air cylinder giving equal thrust
- Large diameter exhaust port minimising icing risks
- Existing pneumatic connections making remote stop start easy to fit
- Air supply to reversing valves either regulated or full air pressure
- Externally fitted air reversing valves

THE SIMPLICITY OF THE REXSON AIR MOTOR



# MAIN FEATURES AND BENEFITS FOR CHOP CHECK PUMP: THE HEART OF THE SYSTEM

SAMES KREMLIN Manufactures a full range of extrusion pumps to handle most high viscosity products. These pumps are double acting reciprocating pumps and are recommended for use on materials over 5000cps or for use on products that do not self level.

### Key features

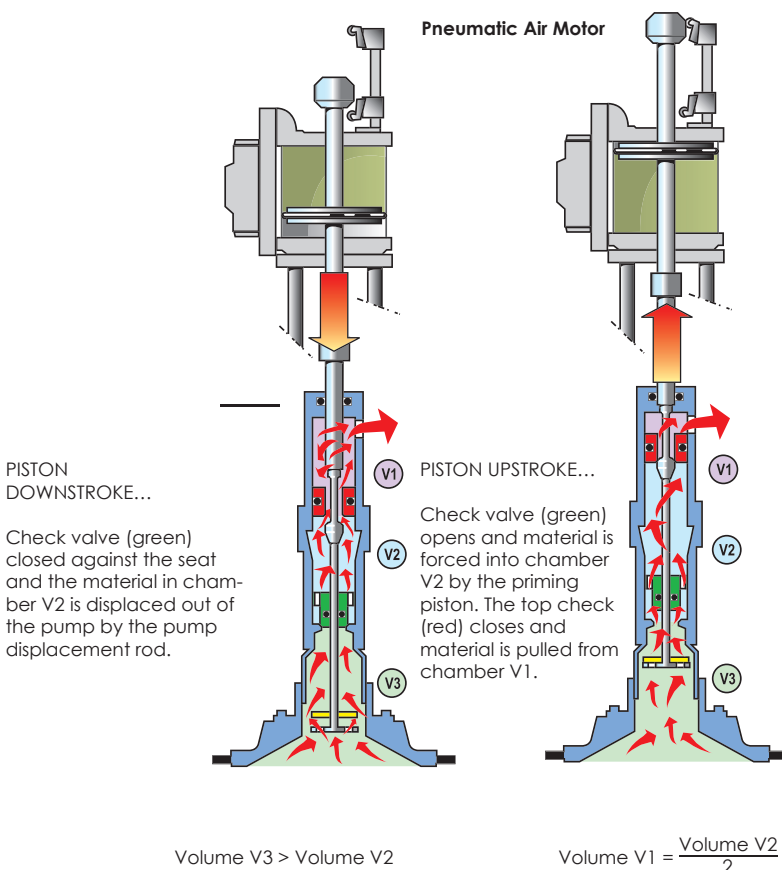
- Low shear when the material being handled, resulting in minimal material degradation during processing
- Large internal fluid passage ways optimising material flow

- Pumps designed with as few parts as possible to give simplicity in construction
- Pump designed and manufactured for severe duty applications
- Pump fitted with Pe – Ptfе seals as standard with Ptfе G and PU seal kits available as an option

### Efficiency

All SAMES KREMLIN pneumatic pumps are able to stop when the dispensing valve is closed. This is called 'stalling'. As soon as the dispensing valve is reopened, the pump will automatically restart.

## DOUBLE-ACTING RECIPROCATING PUMP



- Modular pump design using the minimum number of components
- Hard chrome finish to pump shaft and cylinder
- New type guard (with integrated large diameter wet cup) compliant to EU norms
- Simple design using external reversing valves
- Very fast changeover
- Large diameter exhaust making for quiet running and minimum icing risk



2 ball pumps

Expertise in dispensing

General information

## THINGS TO KNOW ABOUT SELECTING A RAM?

You often hear people refer to these products as elevators. The choice of which ram to use may seem obvious: if you have a 20 lt pail you use a 20 lt ram, you cannot physically fit a 200 lt material drum on a 20 lt ram – or a 200 lt follower plate to a pump on a 20 lt Ram.

An elevator is a device that lifts up and lowers equipment (like the Cyclix) but it does not force the pump into the material, the only force you will get from an elevator is gravity assistance from the weight of the pump. On some materials this can be sufficient, but there is a risk that on more viscous materials the pump will not prime correctly.

The SAMES KREMLIN ram also exert continuous pressure onto the surface of the material in the drum in conjunction with the follower plate, this ensures that the chop check pump is always primed. The ram is also used to lift the pump/follower plate out of the material drum.

### Single Post and Twin Post Rams

The main difference is the amount of force that the ram can apply and how that force is applied.

**Single Post Ram (for 20-30 liters drums)** – This is a well designed ram with a square cylinder housing to prevent any sideways rotation. (Maximum Applied force 240 daN or 60 lbf).

For normal applications, please use single seal follower plate (Maximum follower plate diameter size up to 315 mm); Ideal for materials with a viscosity range between 3000 and 30000 cps.

**Mini Twin Post Ram (for 20- 60 liters drums)** – With two ram cylinders, you are able to apply more force (Maximum applied force 480 daN or 120 lbf ).

**You can use both single seal or double O’ring seal follower plates:**

- Single Seal follower plate will allow you to process materials with a viscosity ranging from 3000 and 300000 cps.
- Double seal will allow you to go up to 1 mio cps depending on material output.

**Twin Post Rams (for 200 liters drum)** – With two ram cylinders you are able to apply more force (Maximum applied force 480 daN or 120 lbf ).

**You can use both single seal or double O’ring seal follower plates:**

- Single Seal follower plate will allow you to process materials with a viscosity ranging from 3000 and 300000 cps.
- Double seal will allow you to go up to 1 mio cps depending on material output.



# THINGS TO KNOW ABOUT SELECTING A FOLLOWER PLATE

## THE FOLLOWER PLATE HAS THREE FUNCTIONS:

- To give good positive priming to the pump, by helping the material flow towards the pump inlet,
- To seal the material in the drum, in the case of moisture sensitive materials to keep out atmospheric moisture from reacting with the material, or it may just be simply to protect the material from outside contaminants,
- To give a clean wipe to the drum – to ensure that the material is dispensed from the drum with the minimum of wastage.

**Drum sizes** – thankfully drum manufacturers produce a standard range of sizes these days. This does not mean that very occasionally you will not get a “special” either a different sized tapered drum or even a square drum – please consult us

## TYPES OF FOLLOWER PLATE

**Single wiper seal** – Is often used on low viscosity materials say up to 300000 cps. Can be used on tapered drums, and on non moisture sensitive materials.

**Double Seal follower plate PTFE coated** – Is always used on high viscous or moisture sensitive materials where a perfect seal interface between the drum and the follower plate is required.



2 ball pumps

Expertise in dispensing

General information

SELECTING THE STYLE AND NUMBER OF SEALS	Pail or drum design				Viscosity		Sensitive to moisture
Flat seal plate	✓	✓	✓	✓	✓	✓	✓
Double flat seal plate	✓	✓	✓	✓	✓	✓	✓

# THINGS TO KNOW ABOUT OPTIONAL EQUIPMENT

## Heavy Duty carts

For the single post and the mini twin post ram, we offer a heavy duty cart if you need to be able to move your pump (except for 7000 and 9000 air motors).

For the 200 lt twin post ram, the base is specially constructed so that it can be transported using either a pallet or a fork lift truck . The square box section prevents the possibility of falling off the lifting forks whilst being transported.



## Two Hand Safety control Box Pneumatic (only for twin post ram units)

Some customers may request an additional safety feature for the operator. The two hand safety control box requires the operator to press two buttons simultaneously to raise and lower the pneumatic ram, thereby preventing any risk that the operator will trap his fingers between the drum and the follower plate.



## Low Level Stop with Alarm Pneumatic (only for twin post ram units)

Some customers may require this included with the equipment. It can also be offered at a later date. This is a very simple system to use which gives an audible alarm when a preset level is reached in the material drum. It can also be used to indicate to the operator that he only has enough material left in the drum to finish the next job.



## Drum Loading

For 200 lt systems we offer a modular roller base for ease of loading if you need to be able to move your pump.



## Materials filters

A fluid filter should be used when you need to filter/separate out impurities from the material. On high viscosity materials, this is more likely to be large lumps of filler or cured material.

This is not as critical as with spray finishing since usually the nozzle diameter is larger in comparison with a spray tip, but unfiltered impurities may affect the quality of a bead or required finish.



## Regulators

A regulator is needed when you want to control fluid pressure/flow rate, change fluid pressure to different values in a short time, dampen out pulsation on pump, change over and help prevent « snake head » effect on gun opening.

However, be aware that this will not hide faults if there is a problem with the pump.



## Run-away valve

For safety and security reasons, there are some applications where it is prudent to fit a "run-away" valve. You would consider fitting a run-away valve on applications where very high pressure is required.

The run-away valve is set to normal working pressures, it senses normal preset airflow to the air motor but should a sudden increase in air flow go beyond its preset value, then the run-away valve will close cutting the air supply to the motor. The pump run-away condition may be caused by a ruptured hose, or when the material drum is empty.



# NOTES

A series of horizontal dashed lines for taking notes, spanning the width of the page.

2 ball pumps

Expertise in dispensing

General information





# GENERAL INFORMATION

# PRACTICAL INFORMATION: PRESSURE DROP

Pressure drop is the resistance that prevents material from moving forward in the pipe. Two pipe variables influence this resistance: the (inside/internal) diameter and the pipe length. The pump will generate a pressure, strong enough to move the fluid material through the pipe (or hose) to the material pipe outlet. This pressure must be enough to overcome the original pressure drop.

While it is hard to reduce the pipe length, it is relatively easy to select an appropriate internal pipe diameter.

### SAMES KREMLIN special tip

**Does the pump has enough POWER to push the material down the hose to the extrusion gun?**

Simple tip: choose a pump - say for example REXSON 60C60 that is a 60.1 pump @ 6 bar air pressure that will produce 360 bar fluid pressure, now subtract 50% = 180 bar. If your hose back pressure is more than 180 bar fluid pressure, then the pump output may be lower than you need. This may not be a problem if the rate of output is low. If that case, you should upgrade to the next pump size (REXSON 63C106 for example).

### PRESSURE DROP CALCULATION

$$\text{Pressure loss (bar/m)} = \frac{6.9 \times \text{Flow (l/min)} \times \text{Viscosity (cps)}}{D^4 \text{ (int dia in mm)}}$$

$$\text{Pressure loss (psi/Ft)} = \frac{2.73 \times \text{Flow (gpm)} \times \text{Viscosity (cps)}}{D^4 \text{ (int dia in inches)}}$$

### FLOW RATE CALCULATION

$$\text{Flow (l/min)} = \frac{\text{Pressure loss (bar/m)} \times D^4 \text{ (int dia in mm)}}{6.9 \times \text{Viscosity (cps)}}$$

$$\text{Flow (gpm)} = \frac{\text{Pressure loss (psi/Ft)} \times D^4 \text{ (int dia in inches)}}{2.73 \times \text{Viscosity (cps)}}$$

### PIPE DIAMETER CALCULATION

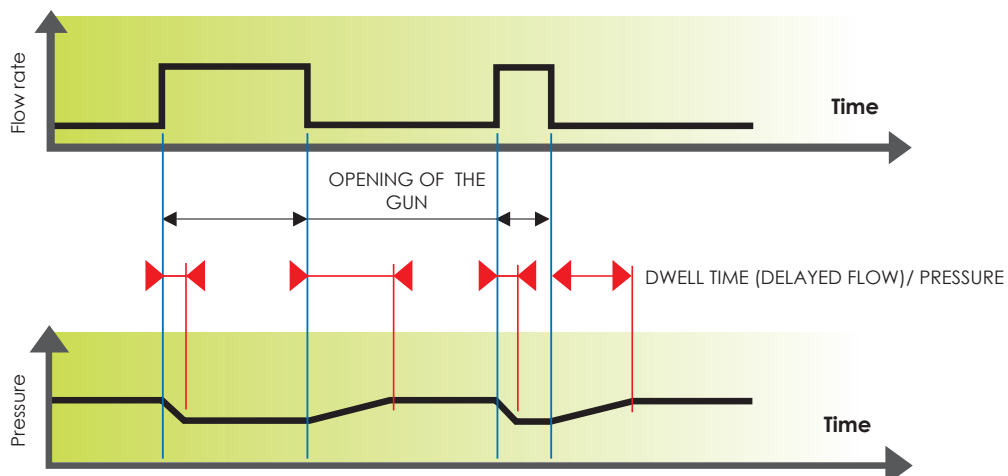
$$\text{Interior Dia (mm)} = \sqrt[4]{\frac{6.9 \times \text{Flow (l/min)} \times \text{Viscosity (cps)}}{\text{Pressure Loss (bar/m)}}}$$

$$\text{Interior Dia (in)} = \sqrt[4]{\frac{2.73 \times \text{Flow (gpm)} \times \text{Viscosity (cps)}}{\text{Pressure loss (psi/Ft)}}}$$

## COMPRESSIBILITY

Viscous materials can be compressed. Users have to take into account the difference between the flow rate and pressure drop through the pipe; it occurs when both the gun (used to dispense material) and the pump stop. Turning on both the gun and pump triggers the same process, due to this compressibility.

### Visualization of the gap between pressure drop and flow rate



# PRACTICAL INFORMATION: VISCOSITIES

Usually expressed in Centipoise (cps) or Poise (ps). The current units are in the "milliPascal/second". Other units used: Centistoke, Engler, Saybolt, Gardner... We have included some measures of viscosities as examples. A Brookfield Cone viscosity meter was used to measure the viscosity.

<b>1 Pa.S</b>	=	10 poise	=	1000 cps
<b>1 mPa.s</b>	=	1 cps		
<b>100 cps</b>	=	1 Poise		

PRODUCTS	VISCOSITY (cps)	TEMP
WATER	1	73°F (23°C)
MUSTARD	1 100 à 1 500	73°F (23°C)
JAM	8 000 à 12 000	73°F (23°C)
LIQUID HONEY	21 000 à 16 000	73°F (23°C)
HONEY	30 000	72°F (22°C)
PASTE CHOCOLATE	15 000 à 16 000	73°F (23°C)
GLUCOSE SYRUP	111 000	72°F (22°C)
THICK SYRUP	3 200	72°F (22°C)
UV INK	95 000 à 103 000	77°F (25°C)
INK	45 000	72°F (22°C)

OILS AND GREASES	VISCOSITY (cps)	TEMP
OIL	95	73°F (23°C)
GRAISSE SILICONE	22 000 - 27 000	73°F (23°C)
GREASE	3 200 - 3 300	77°F (25°C)
THICK GREASE	50 000 - 62 000	77°F (25°C)

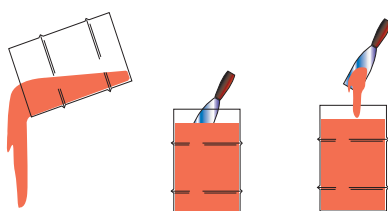
MASTICS	VISCOSITY (cps)	TEMP
MASTIC PVC	4 500 - 6 500	75°F (24°C)
	120 000 - 123 000	77°F (25°C)
BUTYL MASTIC	103 000 - 115 000	86°F (30°C)
	85 000 - 89 000	104°F (40°C)
ELASTOMER GLUE	118 000 - 123 000	75°F (24°C)

Material viscosity can vary significantly with temperature, often the colder a material gets the higher the viscosity. That means the more power you may need from your air motor to pump the material, this may also in turn have a bearing on the type of ram, follower plate and hose that you select.

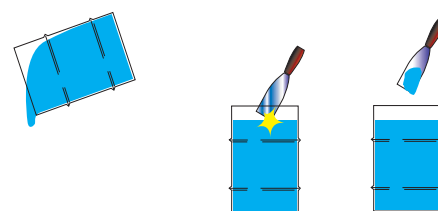
It is for this reason material manufactures always provide data on the correct use and storage of their products, usually giving an ambient temperature range for correct material processing.

It is important for you to be aware of these facts and operate within the parameters.

You will also find that there is often a difference between starting to pump a material and when the material is actually flowing. This is called Static flow or Dynamic flow. When you start, the pump has to have sufficient power to overcome the material surface tension inside the system (the internal friction to flow due to back pressure). Once the material is flowing, the drive pressure can some times be reduced.



Pourable material



Viscous material

# PRACTICAL INFORMATION

## CHEMICAL COMPATIBILITY CHARTS

### MATERIAL IN CONTACT (WETTED PARTS)

	Carbon steel	Aluminium	Brass	Stainless steel	Nylon	Nitrile	Vitton	Leather	P.U.
Butyl acetate	👍👍👍	👍👍👍	👍👍👍	👍👍👍	👍👍👍	N	N		N
Ethyl acetate	👍👍	👍👍	👍👍	👍👍	👍👍👍	N			
Acetaldehyde	👍👍👍	👍👍👍	👍👍👍	👍👍👍	👍👍👍	N	N	👍👍	N
Amonium acetate				👍👍👍					
Acedic acid	👍👍👍			👍👍👍	👍👍👍	N	N	N	N
Boric acid	👍👍👍	👍👍👍		👍👍👍	👍👍👍		👍👍👍	👍👍👍	👍👍👍
Hydrobromic acid					👍👍👍	N	👍👍👍		
Chloridic acid	N	N		N	👍👍👍	N	👍👍👍		
Chromic acid	N	N	N	👍	👍👍👍	N			
Citric acid				👍👍👍	👍👍👍		👍👍👍		
Fluorohydric acid						N	👍👍👍		
Fluosilicic acid			👍👍👍		👍👍👍	N	N		
Formic acid	N	👍👍	N	👍	👍👍👍	N	👍		
Nitric acid	N	N	N	👍👍👍	👍👍👍	N	👍👍👍		
Oxylic acid	N	N	N	N	👍👍👍		👍👍👍	👍👍👍	👍👍👍
Phosphoric acid	N	N		👍👍👍	👍👍👍	N	👍👍👍		
Ethylalcohol						👍👍👍	N		
Methylalcohol	👍👍👍						N	👍👍👍	N
Acetic aldehyde	👍👍👍	👍👍👍		👍👍👍	👍👍👍	N	N		N
Formic aldehyde	N	👍👍	N	N	👍👍👍	N	👍👍👍		N
Sodium alginate					👍👍👍		N		
Starch						👍👍👍	👍👍👍		
Amines					👍👍👍	N	N	N	
Acetone	👍👍👍	👍👍👍		👍👍	👍👍👍	N	N		N
Liquid ammonia	👍👍👍	👍👍👍		👍👍👍	👍👍	👍👍	N	N	
Benzene	👍👍👍	👍👍👍	👍👍👍	👍👍👍	👍👍👍	N	👍👍👍	👍👍	👍
Sodium bicarbonate		N	N	👍👍👍	👍👍👍	👍👍👍	👍👍👍		
Chlorine dioxide						N	👍👍👍		
Sodium bisulphate	N	N		N	👍👍👍	N	👍👍👍		
Brominate						N			
Calcium carbonate	👍👍👍			👍👍👍	👍👍👍	👍👍👍	👍👍👍	👍👍👍	
Sodium carbonate					👍👍👍		👍👍👍		
Chlorinate, gas						👍👍👍	👍👍👍		
Sodium chlorite							👍👍👍		👍👍👍
Aluminum chlorosulfate					👍👍👍	👍👍👍	👍👍👍	👍👍👍	
Calcium chloride	👍👍👍			👍👍👍	👍👍👍		👍👍👍		👍👍👍
Magnesium chloride	👍👍	N		N	👍👍👍	👍👍👍	👍👍👍	👍👍👍	👍👍👍
Potassium chloride	N	N		👍👍	👍👍👍	👍👍👍	👍👍👍	👍👍👍	👍👍👍
Sodium chloride					👍👍👍	👍👍👍	👍👍👍		👍👍👍
Zinc chloride	N	N		N	👍👍👍	👍👍👍	👍👍👍		👍👍👍
Ferrous chloride	N	N	N	N	👍👍👍		👍👍👍		
Ferric chloride	N	N	N	N	👍👍👍		👍👍👍		👍👍👍
Cyclohexane	👍👍👍	👍👍👍	👍👍👍	👍👍👍	👍👍👍	👍👍👍	👍👍👍		
Chlorobenzene	👍👍👍			👍👍👍	👍	N	👍👍👍		N
Ethylene chloride		👍👍			👍👍	N	👍👍		N
Methylene chloride	👍👍	N	👍👍	👍👍	N	N	👍👍		N
Diatoms						👍👍👍	👍👍👍		
Dichloroethylene					👍👍👍				
Diethylene glycol	👍👍👍	👍👍		👍👍👍	👍👍👍	👍👍👍	👍👍👍		N
Bleach	N	👍👍		👍👍👍	👍👍👍				👍
Distilled water	N	👍👍👍	👍👍👍	👍👍👍	👍👍👍		👍👍👍	👍👍👍	👍👍👍
Oxygenated water	N		N	👍👍	N		👍👍		👍👍👍
EDTA						👍👍👍	N		

# PRACTICAL INFORMATION

## CHEMICAL COMPATIBILITY CHARTS

### MATERIAL IN CONTACT (WETTED PARTS)

	Carbon steel	Aluminium	Brass	Stainless steel	Nylon	Nitrile	Vitton	Leather	P.U.
Fertilizer						👍👍👍	N		
Ethanol					👍👍👍	👍👍👍	N		
Ethyl ether	👍👍	👍👍		👍👍	👍👍👍	N	N		👍
Ethylene glycol	👍👍	👍👍	👍👍👍	👍👍	👍👍👍	👍👍👍	👍👍👍		N
Ethyl-mercaptan						N	👍👍👍		
Fuel						N	👍👍👍		
Fluosilicate			👍👍👍		👍👍👍	👍👍👍	👍👍👍		
Formaldehyde	N	👍👍		N	👍👍	👍👍👍	👍👍👍		N
Glycol	👍👍	👍👍		👍👍	👍👍👍	👍👍👍	👍👍👍		N
Gelatine	N	👍👍		👍👍👍	👍👍👍	N	N		N
Sodium hydroxide					👍👍👍	N	N		N
Ammonium hydroxide				👍👍👍	👍👍👍	N	N	👍👍	N
Potassium hydroxide	👍	N		👍👍	👍👍👍	N	N		N
Calcium hypochlorite				👍	👍👍👍	N	👍👍👍	N	
Sodium hypochlorite					👍👍👍	N	👍👍👍		N
Sodium hyposulfite					👍👍👍	N	👍👍👍		
Fruit juice						👍👍👍	👍👍👍		
Methanol	N	👍👍👍		👍👍👍			N		👍
Morpholine	👍👍👍	👍👍👍				N	N		
Methylethylcetone	👍👍👍	👍👍		👍👍👍	👍👍👍	N	N		N
Sodium nitrite					N	N	👍👍👍		
Perchloroethylene (tetrachloret.)	👍👍👍	👍👍		👍👍👍	N	👍👍	👍👍👍		N
Permanganate de potassium	👍👍	👍👍		👍👍	👍👍👍	N	👍👍👍		
Hydrogen peroxide	N	👍👍👍	N	👍👍		N	👍👍		
Chlorohated Peroxyde						N	👍👍👍		
Phenol	N	N			👍👍👍	N	👍👍👍		
Ammonium phosphate			👍👍👍	👍👍👍	👍👍👍	👍👍👍	👍👍👍		
Trisodium phosphate	👍👍👍	N		👍👍👍	👍👍👍	👍👍👍	👍👍👍		
Aluminium polychlorite						👍👍👍	👍👍👍		
Polyelectrolytes						👍👍👍	👍👍👍		
Caustic potash		N		👍👍👍		N	👍👍👍		
Sodium silicate					👍👍👍	👍👍👍	👍👍👍		
Soda						N	N		
Aluminium sulfate					👍👍👍	👍👍👍	👍👍👍	👍👍👍	N
Ammonium sulfate					👍👍👍				👍👍👍
Calcium sulfate	👍👍👍	👍👍👍		👍👍👍	👍👍👍		👍👍👍		
Copper sulfate				👍👍👍	👍👍👍	👍👍👍	👍👍👍		👍👍👍
Ferrous sulfate		N		👍👍	👍👍👍	👍👍👍	👍👍👍		
Ferric sulfate	N	N		N	👍👍👍	👍👍👍	👍👍👍		👍👍👍
Sodium sulfate	N				👍👍👍	👍👍👍	👍👍👍		
Hydrogen sulfur	👍👍👍				👍👍👍	👍👍👍	N		
Carbon tetrachloride	👍👍		👍👍👍	👍👍👍	👍👍👍	N	👍👍👍		
Toluene	👍👍👍	👍👍👍		👍👍👍	N	N	👍👍👍		N
Trichlorethane	👍👍	N		👍👍	N	N	👍👍👍		N
Trichlorethylene	👍👍	👍👍👍		👍👍	N	N			N
Triethyleneglycol				👍👍	👍👍👍		👍👍👍		
Urea	👍👍	👍👍		👍👍	👍👍👍		👍👍👍		
Xylenes	👍👍	👍👍		👍👍	👍👍👍	N	👍👍👍		N

👍👍👍 = High Compatibility      👍 = Low Compatibility  
 👍👍 = Good Compatibility      N = Not Compatible

2 ball pumps

Expertise in dispensing

General information

# PRACTICAL INFORMATION: METRIC - ENGLISH CONVERSION

CONVERT FROM	TO	MULTIPLY BY
Centimeters	feet	0.03280
Centimeters	inches	0.3937
Centimeters/min.	feet/min.	1.9684
Centimeters/sec.	feet/sec.	0.03281
Cubic centimeters.	cubic feet	$3.5314 \times 10^{-5}$

CONVERT FROM	TO	MULTIPLY BY
Cubic centimeters	ounces	0.033
Cubic centimeters	liquid gallons	0.0002642
Cubic feet	liquid gallons	7.4805
Cubic feet	cubic inches	1.728
Cubic feet/min.	gallons/min.	7.4805

CONVERT FROM	TO	MULTIPLY BY
Cubic inches	gallons	0.004329
Cubic inches	cubic centimeters	16.387
Cubic inches	cubic feet	0.0005787
Cubic meters	liquid U.S. gallons	264.17
Cubic meters	cubic centimeters	$1 \times 10^6$

CONVERT FROM	TO	MULTIPLY BY
Cubic meters	cubic feet	35.31
Cubic meters	cubic inches	61,023.38
Feet	centimeters	30.48006
Feet	meters	0.3048006
Feet of water	atmosphère	0.02949

CONVERT FROM	TO	MULTIPLY BY
Feet of water	psi	0.443
Feet/hour	miles/hour	0.00018933
Feet/min.	meters/min.	0.3048
Feet/min.	miles/hour	0.01136
Feet/sec.	miles/hour	0.681818

CONVERT FROM	TO	MULTIPLY BY
Gallons	cubic cm	3 785,43
Gallons	cubic inches	231
Gallons	imperial gallons	0,83268
Gallons	cubic feet	0,13368
Gallons/min.	cubic feet/min.	0,13368

CONVERT FROM	TO	MULTIPLY BY
Inches	feet	0,083333
Inches	meters	0,254
Inches	millimeters	25,40005
Inches	mils	1 000
Kilograms	pounds	2,2046

CONVERT FROM	TO	MULTIPLY BY
Kilogrammes/cm <sup>2</sup>	psi	14,2233
Kilogrammes/mm <sup>2</sup>	psi	1 422,33
Liters	gallons	0,264178
Meters	feet	3,2808
Meters	inches	39,37

CONVERT FROM	TO	MULTIPLY BY
Poise	centipoise	100,0
Pints of water	gallons	0,11985
PSI	atmosphère (bar)	0,06804
Inches <sup>2</sup>	cm <sup>2</sup>	6,4516
Inches <sup>2</sup>	feet <sup>2</sup>	0,006944
Inches <sup>2</sup>	mm <sup>2</sup>	645,163
Millimètres <sup>2</sup>	inches <sup>2</sup>	0,0015499
daN	Kilograms	1.0

- » For the diameter of a circle, multiply the circumference by 0.31831.
- » For the circumference of a circle, multiply the diameter by 3.1416.
- » For the surface of a circle, multiply the diameter<sup>2</sup> by 0.7854.
- » For the surface of a sphere, multiply the diameter<sup>2</sup> by 3.1416.
- » To find the side of a square that has the same surface area of a circle, multiply the diameter by 0.8862.
- » To find the number of cubic inches in a sphere, multiply the diameter by 0.5236.
- » To find the number of gallons inside a pipe or cylinder, divide the volume in liters by 231.
- » To find the cubic volume of a cylinder or pipe, multiply the section area by the length.

# Bond | Protect | Beautify

With our manual guns, automatic and robotic applicators, supplied by our wide range of pumps & machines for fluid handling, dosing, mixing & dispensing.

**SAMES KREMLIN** provides industrial solutions for production increase, quality improvement, material & cost savings.

We are designers and manufacturers of process equipment that is divided into 6 ranges:

**Airspray:** Since 1925, we have been an Airspray manufacturer bringing you the very best in finishing.

**Airmix®:** Creator of Airmix® Technology since 1975, we provide the perfect mix between quality and productivity.

**Airless:** We provide premium Airless Products for finishers with demanding applications.

**REXSON Dispense:** Pumping beyond possible, dispensing precisely.

**Electrostatic liquid:** expertise for high finishing quality & efficiency.

**Powder:** Powder coating solutions for the highest Productivity since 1960.

FIND YOUR  
LOCAL CONTACT  
BY FLASHCODE:



[www.sames-kremlin.com](http://www.sames-kremlin.com)

**SAMES**  **KREMLIN**