

Bond | Protect | Beautify

With our manual guns, automatic and robotic applicators, supplied by our wide range of pumps & machines for fluid handling, dosing, mixing & dispensing.

SAMES KREMLIN provides industrial solutions for production increase, quality improvement, material & cost savings.

We are designers and manufacturers of process equipment that is divided into 6 ranges:

Airspray: Since 1925, we have been an Airspray manufacturer bringing you the very best in finishing.

Airmix®: Creator of Airmix® Technology since 1975, we provide the perfect mix between quality and productivity.

Airless: We provide premium Airless Products for finishers with demanding applications.

REXSON Dispense: Pumping beyond possible, dispensing precisely.

Electrostatic liquid: expertise for high finishing quality & efficiency.

Powder: Powder coating solutions for the highest Productivity since 1960.

FIND YOUR LOCAL CONTACT BY FLASHCODE:



www.sames-kremlin.com



Apply your Skills



PPH 707 EXT

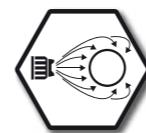


- High finishing quality
- High transfert efficiency
- Easy to integrate

Related Technologies



ATEX Regulation



Electrostatic



Ex Shape



HVT



Hi-TE



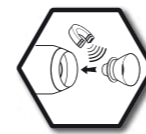
Quick Disconnect



Rotating Bell



Dual Pin



Magnetic Cup

1703.573.646.002 - SAMES KREMLIN reserves right to change without notice characteristics and services offered as well as equipment and attachments of these.

Apply your Skills

www.sames-kremlin.com

ROBOTIC SPRAYER FOR WATER BASED PAINT WITH EXTERNAL ELECTRIC CHARGE

PPH 707 EXT

PPH 707 EXT external charge sprayer is dedicated to the application of waterbased materials. The performances of atomizer and **components** are the **same** than the **PPH 707 SB** (dedicated to solvent paints); it is the benchmark in the area of automotive finishing with external charge thanks to its **Hi-TE technology**.

PPH 707 EXT can be built-in into any type of multi-axis robot.

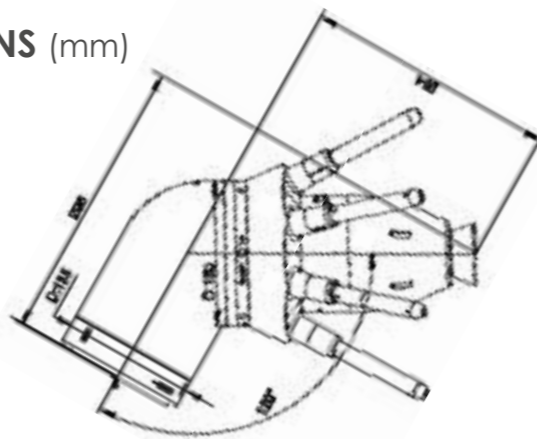
FIELD OF APPLICATION

Whichever the product, the operating modes may be:



- Primer ✓
- Base ✓
- Clearcoat -

DIMENSIONS (mm)



TECHNICAL DATA

Weight	PPH 707 EXT
Spare atomizer, without cable or hose	7 kg
Pneumatic supply	PPH 707 EXT
Drive air consumption	10 NI/min.
Magnetic turbine bearing air consumption	125 NI/min.
Shaping air consumption	From 100 to 600 NI/min. ⁽¹⁾
Turbine rotation air consumption	From 100 to 700 NI/min. ⁽²⁾
<small>(1): with respect to air shroud and bell being used - (2): with respect to sprayed flow and rotation speed</small>	
Product supply	PPH 707 EXT
Paint flow (depending on paint type)	30 to 700 cc/min. ⁽³⁾ maxi.
Viscosity scale (for minimum results)	20 to 40 seconds FORD #4 Cup
<small>(3): with a product density < 1.1 gr/cm3 and/or of the combination bell and air shroud being used</small>	
Performances	HVT
Rotation speed	15 to 70 000 rpm (upon diameter of bell cup used)
Application speed	up to 900 mm/sec
Color change	PPH 707 EXT
Paint consumption	25 cm ³ (paint circuit) & 25 cm ³ (pump circuit)
Rinsing product consumption	300 cm ³ (not included rinsing box)
Standard process time	10 sec (with REVERSE FLUSH)
Optimized process time	5 sec (with REVERSE FLUSH on circuit 1 & 2)
Same Color (head rinsing + bell cup)	PPH 707 EXT
Time	6 sec.
Rinsing product consumption	50 cm ³
High Voltage	UHT 330 EEx e
Voltage maxi.	85 kV
Current maxi.	500 μA

ATEX marking:

PPH 707 EXT:
 CE 0080 II 2 G
EEx > 350 mJ
 ISseP06ATEX032X

GNM 200⁽⁴⁾:
 CE 0080 II (2) GD
[EEx > 350 mJ]
 ISseP05ATEX032X
 ISseP06ATEX032X
 ISseP07ATEX001X

(4): This control module allows piloting the UHT. It is a device that is part of the configuration of the certified equipment and that contributes to its good working. It has to be installed into a non explosive area.

CUSTOMER BENEFITS

HIGH PERFORMANCE

- High rotating speed
- High voltage unit
- Hi-TE dual shaping air
- Dual circuit for fast color change

FLEXIBILITY

- Easy integrate waterborne process
- Wide or narrow pattern
- Bell/Bell quality
- Light weight for any painting robots

HIGH RELIABILITY

- Long life HVU (High Voltage Unit)
- 7 years/30 000h. warranty* turbine
- Titanium bellcup for longer life
- 2.5 million cycles life of valves

* Whichever is the sooner

EASY TO MAINTAIN

- Magnetic bellcup fastening system
- Quick disconnect
- Easy access to valves, fittings
- Specific body design preventing & dust or droplet
- No calibration tool required



TECHNOLOGICAL FOCUS

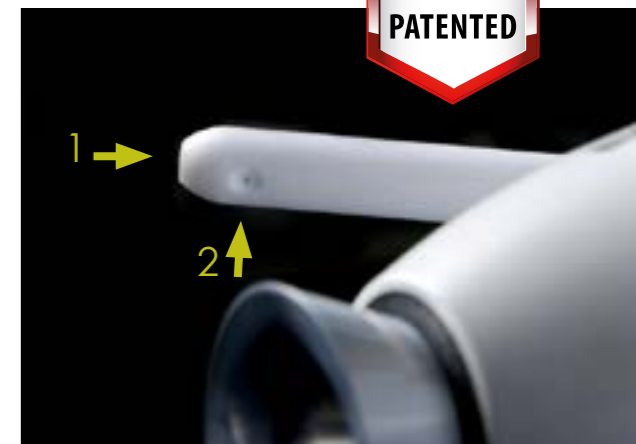
- Equipped with the **new** spraying system **Dual Pin technology** = reduced contamination.
- Over 250 cars* without cleaning

* depending on spraying conditions

SAFETY

- Smart integrated HVU: fast energy discharge preventing any spark
- Remote bell monitoring device
- ATEX zone 1

PATENTED



SAMES KREMLIN

www.sames-kremlin.com