

## Bond | Protect | Beautify

With our manual guns, automatic and robotic applicators, supplied by our wide range of pumps & machines for fluid handling, dosing, mixing & dispensing.

**SAMES KREMLIN** provides industrial solutions for production increase, quality improvement, material & cost savings.

We are designers and manufacturers of process equipment that is divided into 6 ranges:

**Airspray:** Since 1925, we have been an Airspray manufacturer bringing you the very best in finishing.

**Airmix®:** Creator of Airmix® Technology since 1975, we provide the perfect mix between quality and productivity.

**Airless:** We provide premium Airless Products for finishers with demanding applications.

**REXSON Dispense:** Pumping beyond possible, dispensing precisely.

**Electrostatic liquid:** expertise for high finishing quality & efficiency.

**Powder:** Powder coating solutions for the highest Productivity since 1960.

FIND YOUR  
LOCAL CONTACT  
BY FLASHCODE:



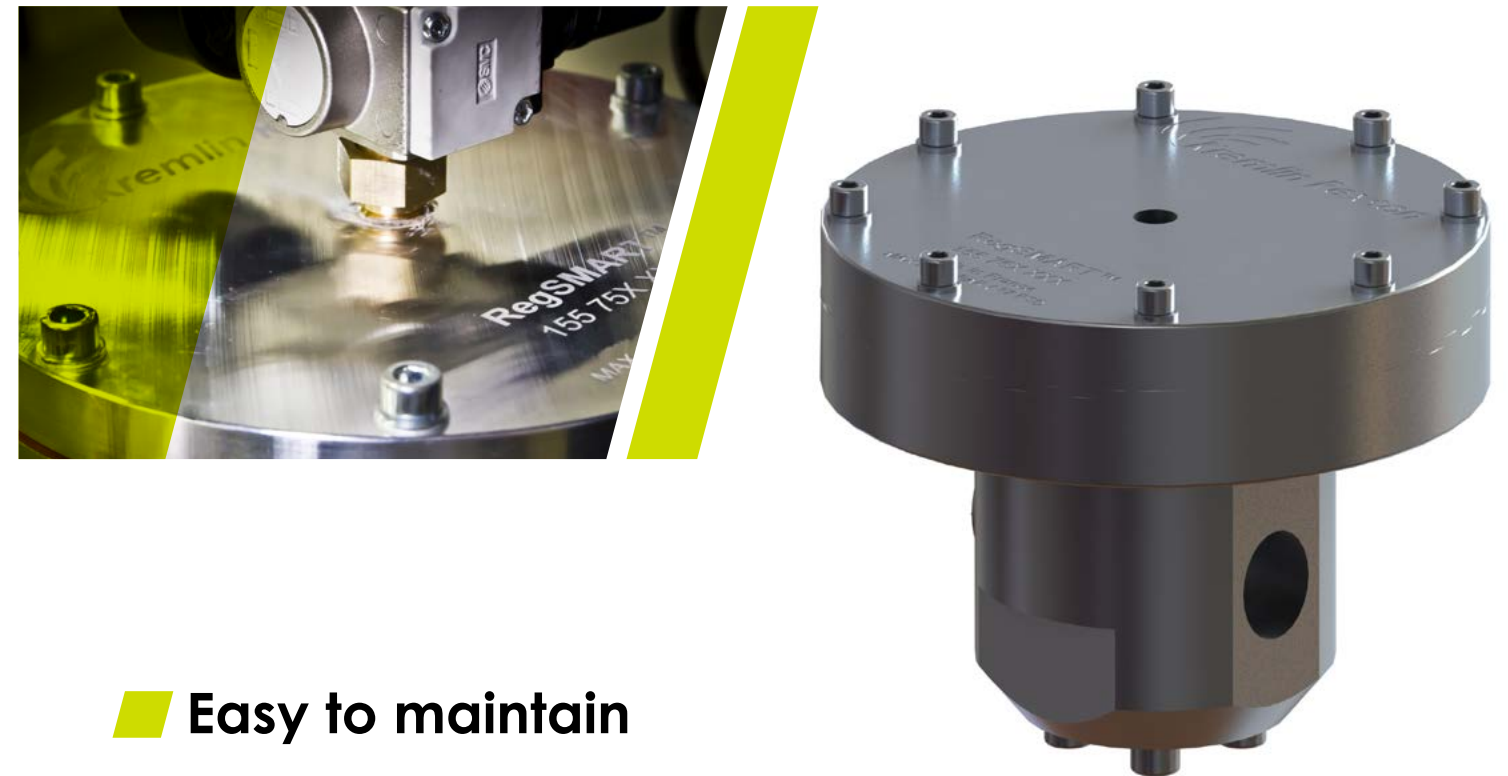
[www.sames-kremlin.com](http://www.sames-kremlin.com)



Apply your Skills



## REGSMART REGULATOR FOR SEMI-VISCOUS MATERIALS



- Easy to maintain
- Low shear fluid passages
- Wide operating pressure range

### Related Technologies



Driven  
Regulator



Cartridge



Regulation  
Principle

Apply your Skills

[www.sames-kremlin.com](http://www.sames-kremlin.com)

# REGSMART

## REGULATOR



### TECHNICAL DATA

	RegSMART Aluminum	RegSMART stainless steel
Inlet pressure (bar Max)	400	
Outlet pressure (bar) - Regulated range	25 - 275	
Air pressure (bar max)	6	
Max working temperature (°C)	60	
Material Inlet & outlet	3/4" G	
Wetted parts	Aluminum, PTFE, FFKM	Stainless steel, PTFE, FFKM
Average output (l/mn)*	diameter 6 - 0,9 l/mn diameter 8 - 3 l/mn diameter 12 - 9 l/mn	

\* measured at free flowrate with product viscosity of 15.000 cPs.

## REGULATION TECHNOLOGY

A regulator is needed when you want to control fluid pressure/flow rate, change fluid pressure to different values in a short time, dampen out pulsation on pump, change over and help prevent «snake head» effect on gun opening.

Specially designed for semi-pasteous materials, RegSMART diaphragm design is ideal for moisture-sensitive and water-based materials. The modular design enables you to control over a wide range of flowrates.

RegSMART regulators incorporates a cartridge design, reducing dead zones, ensuring minimum downtimes during maintenance.

## MATERIALS HANDLED

High viscosity materials: adhesives, sealant, greases...

## RECOMMENDED MARKETS



AUTOMOTIVE



BUS



LEISURE VEHICLES



CONSTRUCTION EQUIPMENT

## CUSTOMER BENEFITS

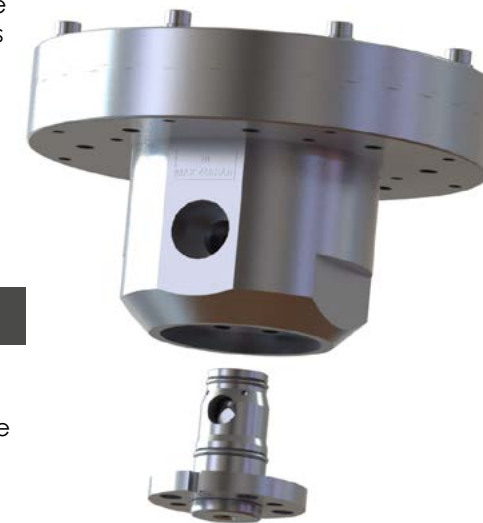
- Repeatability ←
- For spraying and extrusion applications ←
- Compatible with both solvent or water-based materials ←
- Easy to maintain on site ←

### HIGH PERFORMANCE

- Low pressure drop
- Large pressure range 20 - 275 bar at high flowrate
- Optimized fluid passages design: low shear and less dead zones areas

### HIGH FLOW RATE

- Flow controlled by pressure air regulator
- Up to 9 l/mn



### EASY TO MAINTAIN

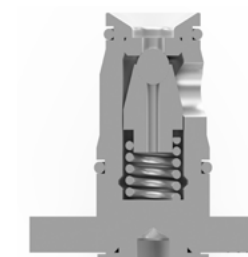
- Less than 1 minute to maintain
- Easy to remove cartridge
- Easy to clean
- Optimized design

### MODULARITY

- Aluminum or stainless steel construction
- Ball & seat configurations available in three different diameters to suit flowrate and viscosity.



6 mm Cartridge replacement  
Low Flow Rate



8 mm Cartridge replacement  
Medium Flow Rate



12 mm Cartridge replacement  
High Flow Rate

By controlling the supply of precision air to the regulator, we are able to move the regulator piston down thus opening the material valve and allowing material to flow.

