

Bond | Protect | Beautify

With our manual guns, automatic and robotic applicators, supplied by our wide range of pumps & machines for fluid handling, dosing, mixing & dispensing.

SAMES KREMLIN provides industrial solutions for production increase, quality improvement, material & cost savings.

We are designers and manufacturers of process equipment that is divided into 6 ranges:

Airspray: Since 1925, we have been an Airspray manufacturer bringing you the very best in finishing.

Airmix®: Creator of Airmix® Technology since 1975, we provide the perfect mix between quality and productivity.

Airless: We provide premium Airless Products for finishers with demanding applications.

REXSON Dispense: Pumping beyond possible, dispensing precisely.

Electrostatic liquid: expertise for high finishing quality & efficiency.

Powder: Powder coating solutions for the highest Productivity since 1960.

FIND YOUR
LOCAL CONTACT
BY FLASHCODE:



www.sames-kremlin.com



Apply your Skills



QUATRO HIGH PRESSURE RANGE 4 BALL PUMP

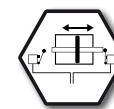


- Unique design for sealer saving
- 3-in-1 functions: booster, circulating & dosing
- Ideal for robotic applications

Related Technologies



Quatro



Switch motor



Cup Lub



Triple chrome layer

Apply your Skills

www.sames-kremlin.com

4 BALL PUMP

QUATRO

HIGH PRESSURE RANGE



TECHNICAL DATA

	QUATRO 53-C570		QUATRO 40-C750	
Pump ratio	53/1	53/1	40/1	40/1
Output per cycle (l)	570	570	750	750
Output at 10 cpm (l)	5,700	5,700	7,500	7,500
Fluid inlet - outlet	1" BSP - 1" BSP			
Applications	sealant	sound-deadener	sealant	sound-deadener
Wetted part	carbon steel/PU/PEHD/PTFE V	carbon steel/PEEK/PTFE G	carbon steel/PU/PEHD/PTFE V	carbon steel/PEEK/PTFE G
Max. operating temperature	60°C			
Noise level	< 80 dBa			

4 BALL HIGH PRESSURE PUMP TECHNOLOGY

These pumps are used for sealer, underbody coating and sound-deadener applications. We are the pioneers of the 4 ball high pressure pump technology enabling customers to benefit from «Three-in-One» functions: Booster, circulation & dosing.

Our continuous innovation keeps us at the forefront of this technology. In upstream applications, we are able to compensate pressure losses, reducing pulsations whilst delivering the product at the correct pressure and accurate volume.

MATERIAL HANDLED

High viscosity materials: sealant & sound-deadening materials (including waterborne).

RECOMMENDED MARKETS



CONSTRUCTION EQUIPMENT



AUTOMOTIVE



BUS & TRUCKS



ROLLING EQUIPMENT

CUSTOMER BENEFITS

PERFORMANCE

- Very quiet air motor.
- No icing effect.

SUSTAINABILITY

- Lubricated cups for longer life of seals.
- Long life fluid packings

OPTIONS

- Linear transducer for robotic control
- Stand floor for easy maneuverability.

PRODUCTIVITY

- Separate air command (6 bar to run pump from 0.5 bar) prevents air motor stalling.
- Pump pulse output for consumption control.

PRODUCTIVITY



Quick shaft dismounting to divorce rapidly the hydraulic fluid section.

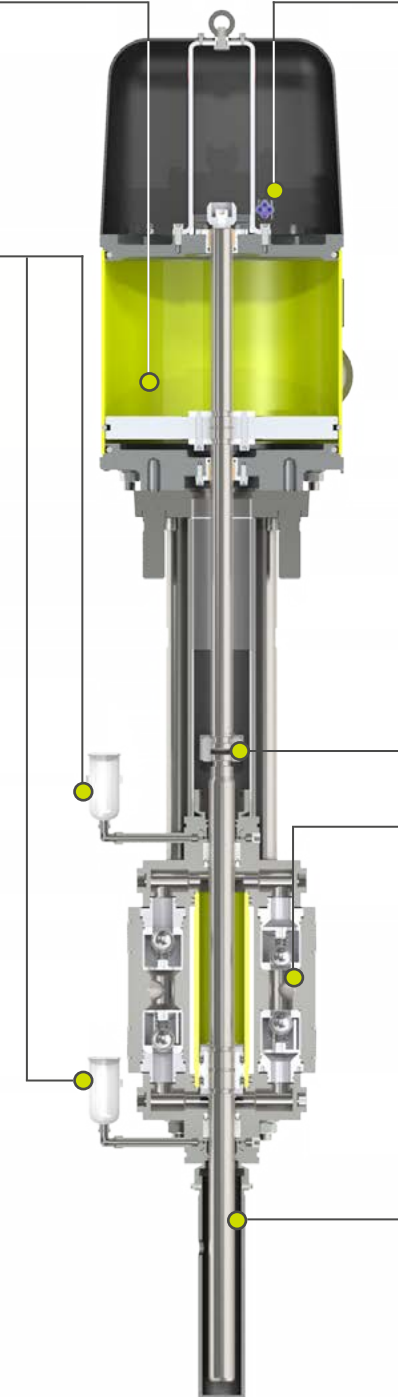
SUSTAINABILITY



Spring loaded valves to minimize pump pulsation.

PRODUCTIVITY

Unique balanced volume and pressure.



EXAMPLE OF IMPLEMENTATION

