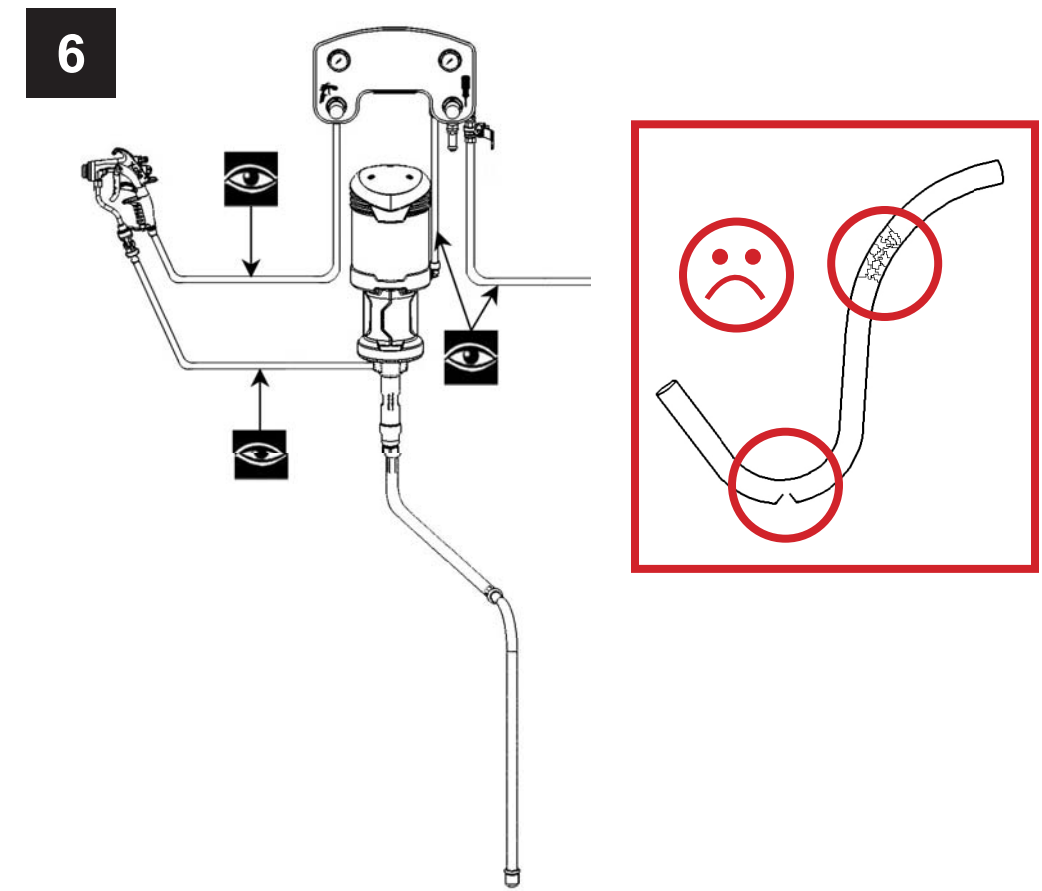
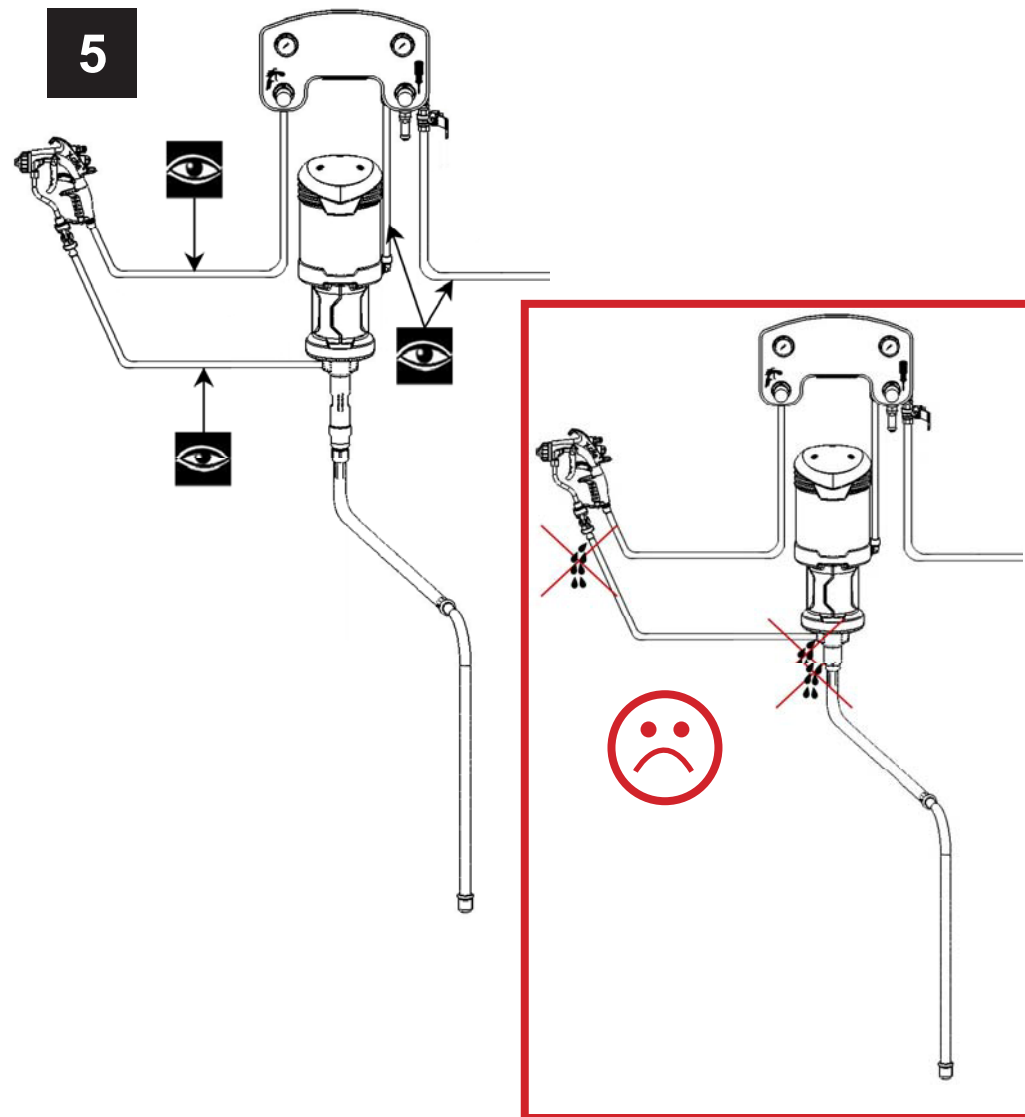
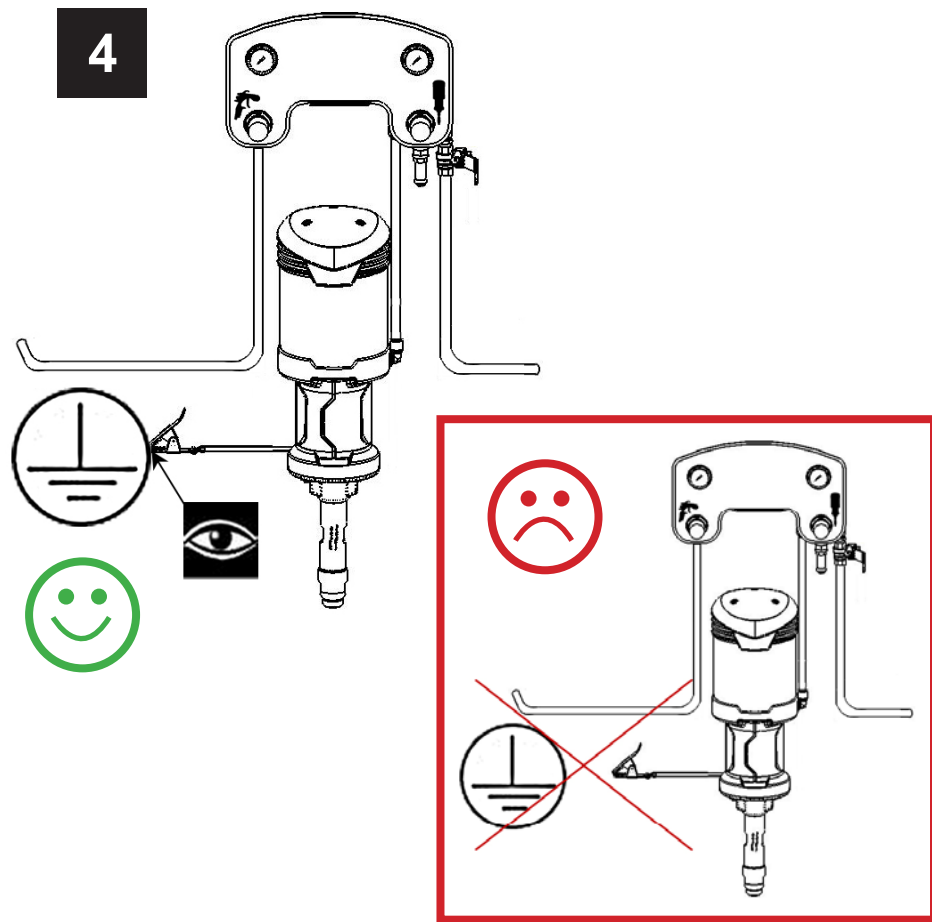
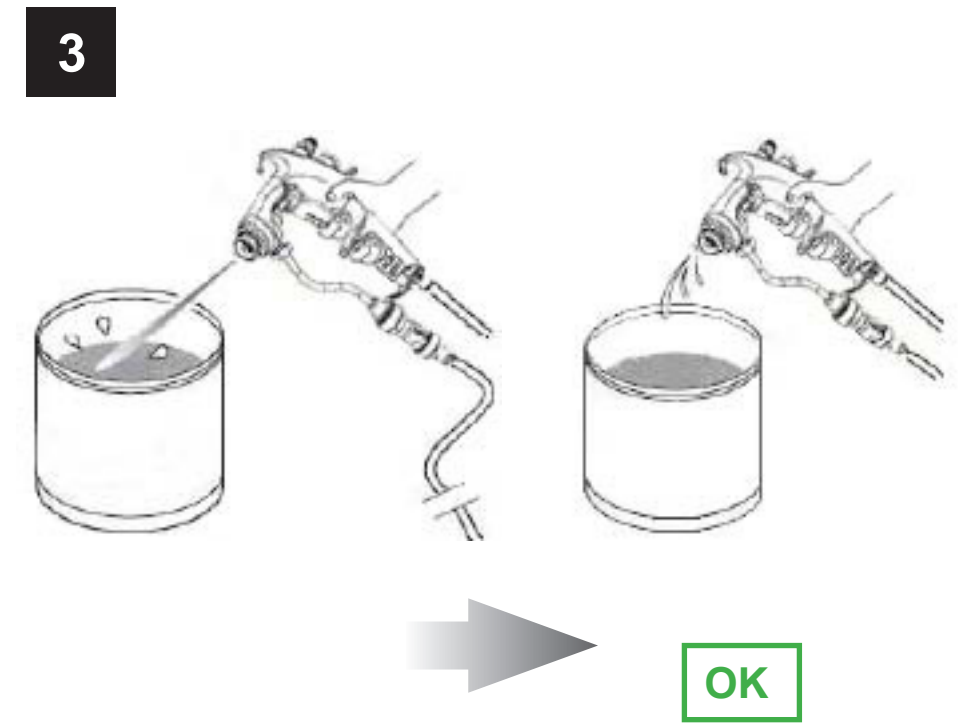
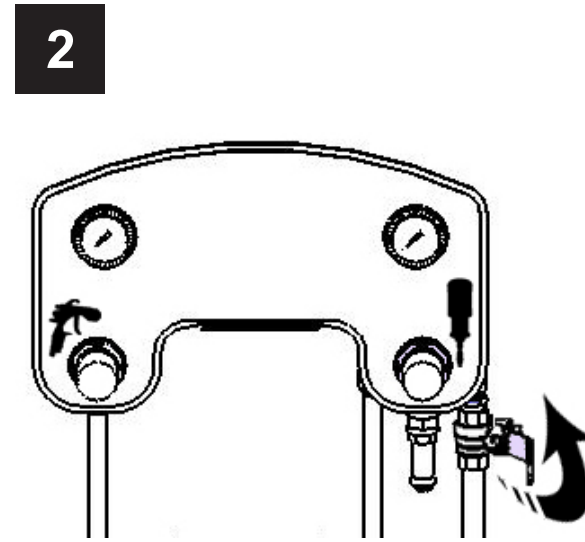
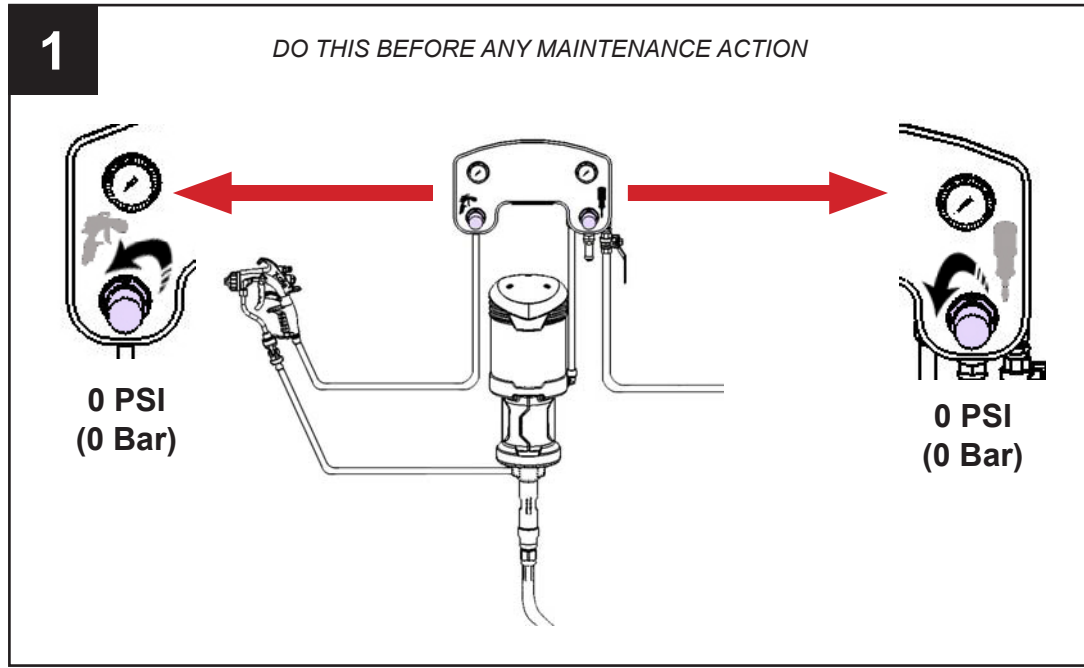


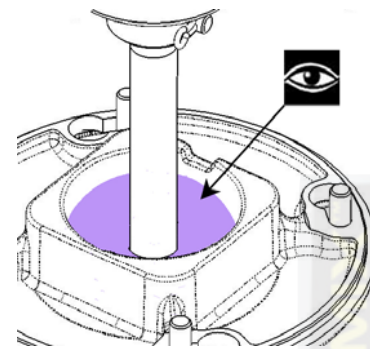
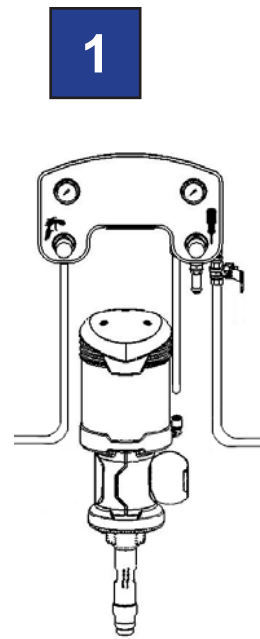
PREVENTATIVE MAINTENANCE SCHEDULE - AIRMIX® 15C25 & 30C25

DAILY TASKS

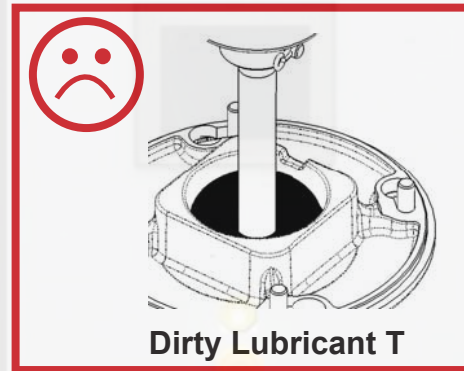
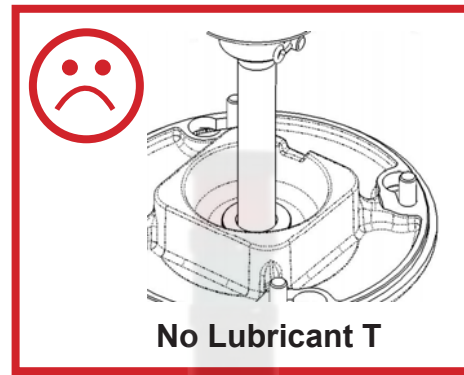


NOTE: Guards (motor cover, coupling shields, housings ...) have been designed for a safe use of the equipment. The manufacturer will not be held responsible for bodily injury or failure and / or property damage due to destruction, the overshadowing or the partial or total removal of the guards.

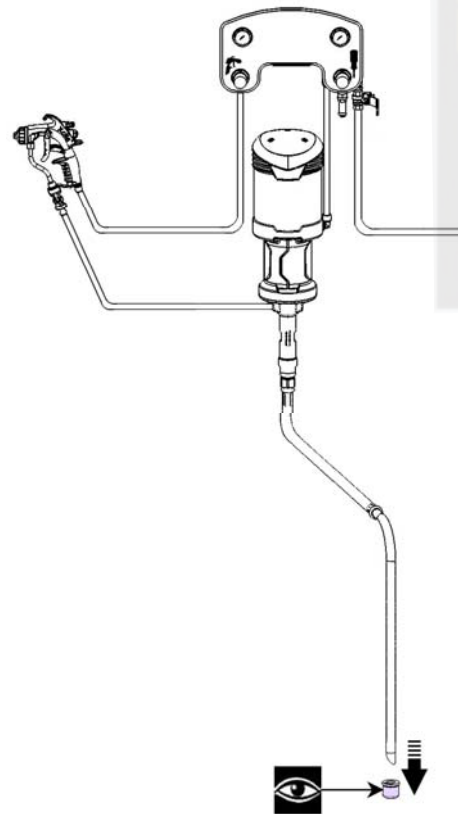
WEEKLY TASKS



1/2 cup
Lubricant T

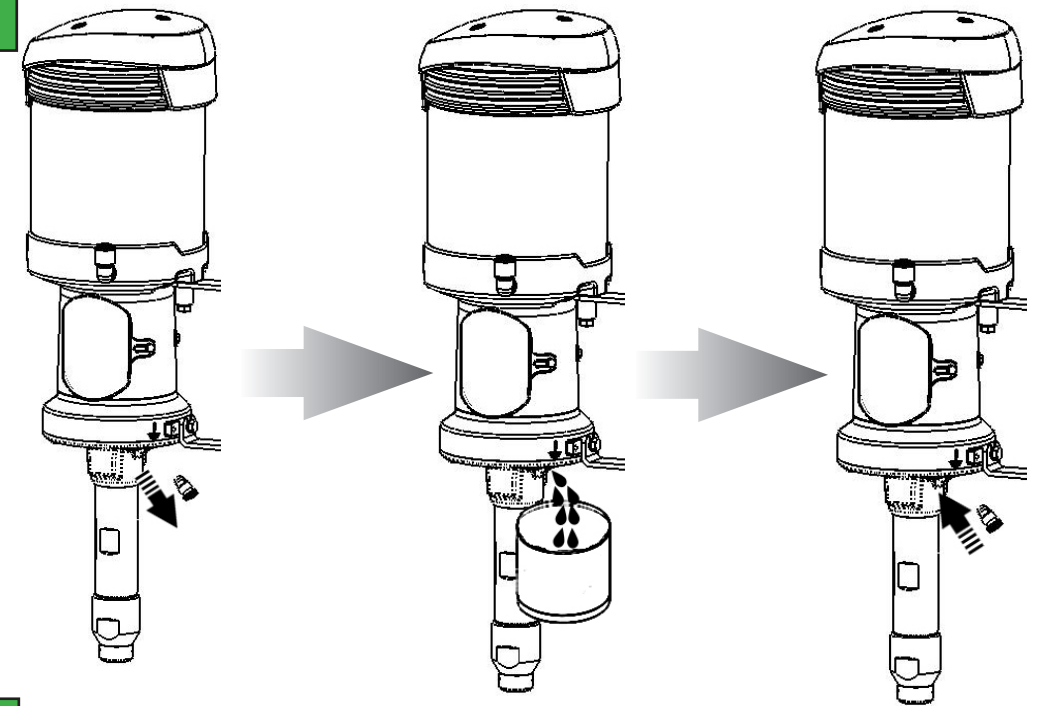


2



MONTHLY TASKS

1



2

