

Bond | Protect | Beautify

With our manual guns, automatic and robotic applicators, supplied by our wide range of pumps & machines for fluid handling, dosing, mixing & dispensing.

SAMES KREMLIN provides industrial solutions for production increase, quality improvement, material & cost savings.

We are designers and manufacturers of process equipment that is divided into 6 ranges:

Airspray: Since 1925, we have been an Airspray manufacturer bringing you the very best in finishing.

Airmix®: Creator of Airmix® Technology since 1975, we provide the perfect mix between quality and productivity.

Airless: We provide premium Airless Products for finishers with demanding applications.

REXSON Dispense: Pumping beyond possible, dispensing precisely.

Electrostatic liquid: expertise for high finishing quality & efficiency.

Powder: Powder coating solutions for the highest Productivity since 1960.

FIND YOUR
LOCAL CONTACT
BY FLASHCODE:



www.sames-kremlin.com



Apply your Skills

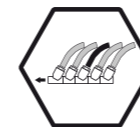


UPSIDE CCV COLOR CHANGE BLOCK



- Lightweight design
- Easy maintenance
- Flexible assembly

Related Technologies



Upside
Concept

Apply your Skills

www.sames-kremlin.com

COLOR CHANGE BLOCK UPside CCV

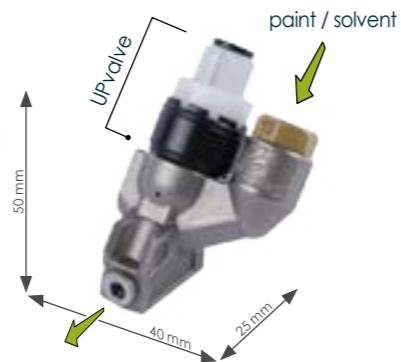


UPside CCV is the universal robotic color change block. The compact and modular design gives several solutions to integrate on robot arms.

Innovations are in every parts: stainless steel modules, new **UPvalve**, compact fittings, oriented hoses for easy integration, integrated regulator.

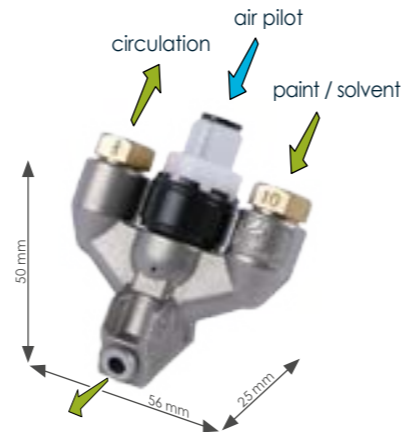
2 modules:

UPside CCV without return



Based on microvalve technology, UPvalve has its air pilot fitting included on its TOP.

UPside CCV with return



This module is more compact than market CCV.



TECHNICAL DATA

Weight

Upside CCV with return equipped with 1 valve & 2 ø8/10 fittings	101 g
Upside CCV without return equipped with 1 valve & 1 ø8/10 fitting	78 g

Air pressure

Valve pilot	6 bar (90 psi) - 10 bar (150 psi)
-------------	-----------------------------------

Paint

Orifice diameter	ø 4 mm
Operating pressure	0 bar (0 psi) to 20 bar (3000 psi)
Viscosity solvented paints	20 to 50 seconds - FORD cup#4
Viscosity waterborne paints	200 mPa.s at 250s ⁻¹
Body material	Stainless Steel

Applicable Tubing

ØI.D x ØO.D.

3 x 6
4 x 6
5 x 8
6 x 8
5 x 10
7 x 10
8 x 10

ATEX marking:
UP SIDE CCV:
CE II 2 G c T4

MATERIAL HANDLED

Every type of paint, primer, basecoat, clearcoat, 1K material, solventborne or waterborne

RECOMMENDED MARKETS

AUTOMOTIVE
OEMS, TIER 1 & TIER 2

AEROSPACE

METALLIC FURNITURE

CYCLES & MOTORCYCLES

WOOD INDUSTRY

ALUMINIUM PROFILES

AGRICULTURAL & CONSTRUCTION EQUIPMENT

CUSTOMER BENEFITS

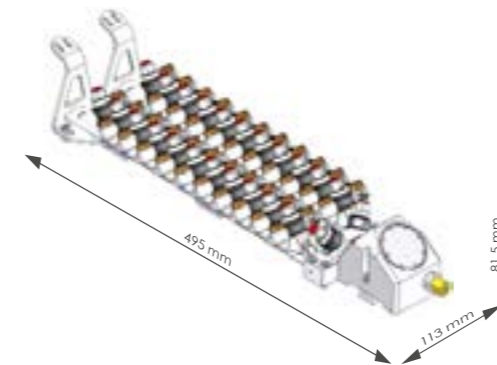
ROBOTIC DESIGN

- Lightweight design: **78g** per color including fitting (52% lighter)
- Compact size: **30%** less volume
- Oriented fittings: reduces space requirement
- Robust design: metal-in-metal fittings and valve seats

Switch

[24 COLORS]

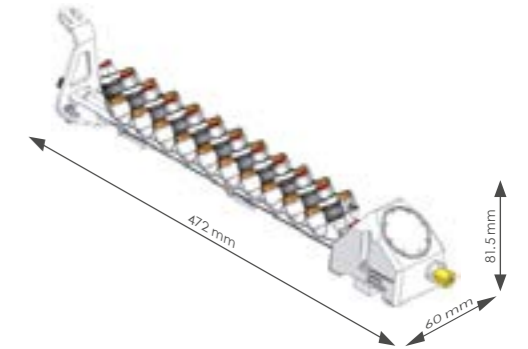
For low paint loss and compactness choose «SWITCH» module minimizing paint volume. Recommended if more than 12 colors.



In line

[12 COLORS]

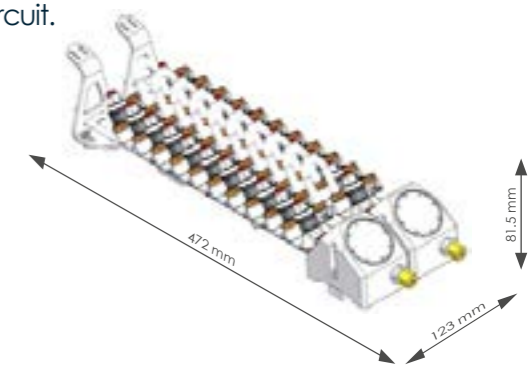
One line, each module equals one color



Double circuit

[12 COLORS]

During painting with 1st circuit, the 2nd one prepares the next color for a very fast color change combined with PPH707 double circuit.



COMPARISON

	In Line	Switch	Double circuit
Compactness	+	+++	++
Lightweight	+++	++	++
Color change	+	++	+++

FLEXIBILITY

- One color = One module
- Adapts to every robot arm
- Included recirculation feature
- Remote or integrated regulator
- Backward or forward rinsing direction

EASY TO USE

- Plug & use modules, including fittings
- Direct access: all fittings and valves located on one side
- Easy to clean CCV + Regulator + Pump: low solvent consumption
- Dedicated tool kit

SPECIAL TOOLS

- Mandatory tools for a long life CCV
- One size wrench for "All" fittings

