

# AIR MIX®

**EXPERTS IN FINISHING  
AND DISPENSING SOLUTIONS  
FOR ALL MARKETS WORLDWIDE**

## AVX & ATX



### WHERE TO FIND US ?

[WWW.KREMLIN-REXSON.COM](http://WWW.KREMLIN-REXSON.COM)

► ABOUT US

└ GLOBAL PRESENCE



KREMLIN REXSON, creator of AIRMIX®, FLOWMAX® and CYCLOMIX™ technologies, offers a wide range of pumps and equipment for the protection of materials and application of paints, sealants and adhesives.



150, avenue de Stalingrad - 93245 STAINS cedex - FRANCE  
Phone : +33 1 49 40 25 25 - Fax.: +33 1 48 26 07 16

1203.573.002 - KREMLIN REXSON reserves the right to change without notice characteristics and services offered as well as equipment and attachments of these.

## AUTOMATIC SPRAYING AIRMIX® GUNS

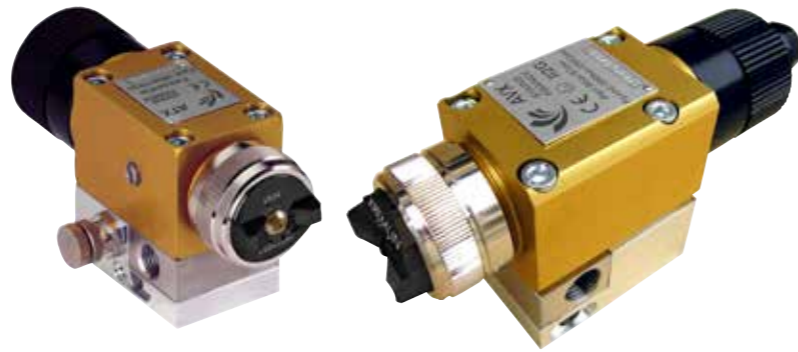
- High transfer efficiency (86%\*)
- Excellent atomization quality
- Modular design and high reliability

Experts in Finishing and Dispensing Solutions



\* ± 2% according to EN 13966-1

# AIRMIX® AVX & ATX



## TECHNICAL DATA

	AIRMIX® AVX	AIRMIX® ATX
Maximum fluid operating pressure (bar)	200	
Atomization air pressure (bar)	0.7 - 3	
Minimum air driven pressure (bar)	3	
Fluid flowrate (l/mn)	Up to 2 l/mn depending on material viscosity	
Weight gun only (g)	452	
Weight base manifold (g)	240 (side input) / 480 (rear input)	
Maximum operating temperature (°C)	70	
Seat construction	Stainless steel (polyacetal optional)	
Wetted parts	Stainless steel, treated stainless steel, PTFE or GT seal	

## AIRMIX® TECHNOLOGY

Leading spray technology since 1975, AIRMIX® technology was invented by KREMLIN REXSON to reduce paint consumption, reduce cost of ownership, increase productivity, improve working condition and preserve the environment.

Continuously improved over the past 35 years, AIRMIX® is today the most efficient non electrostatic spray technology providing up to 86% transfer efficiency.

As a result, most automatic machine manufacturers using medium fluid pressure atomization have adopted KREMLIN REXSON AIRMIX® automatic guns because they are reliable, deliver outstanding finish quality and their simple construction minimizes the cost of servicing and down time.

## MATERIAL HANDLED

Stains, 2K material, PU, epoxy, gelcoat, U.V coating, solvent and waterbased paints.

## RECOMMENDED MARKETS



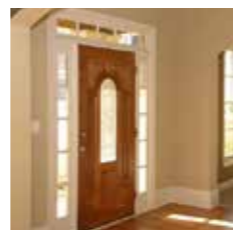
KITCHEN AND BATHROOM



DRUMS



RENEWABLE ENERGIES



EXTERIOR JOINERY

## CUSTOMER BENEFITS

- Simple construction with limited number of parts ←
- High reliability ↓
- Reduced cost of ownership ↓
- Compact and lightweight ←
- Easy servicing and cleaning ←

### SEQUENTIAL OPENING

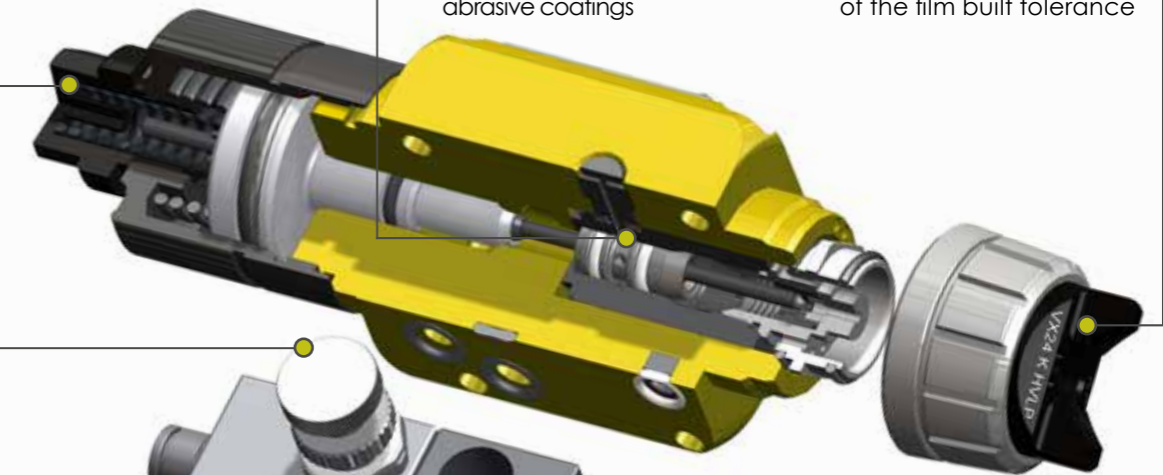
Dual spring mounted outside fluid passage allows to open air before atomizing fluid

### RULON OR GT SEAL CARTRIDGE

- Rulon seal available on AVX gun
- Extended lifetime with most coatings
- GT seal available on ATX gun
- Recommended for U.V and abrasive coatings

### HIGH EFFICIENCY AIRCAPS AND SPRAY TIPS

- VX24 (adjustable spray) or VX124 (fix spray) and a large offer of fine finish and Xtra™ fine finish spray tips
- Extreme accuracy of the film built tolerance



### MODULAR DESIGN

- Easy assembling and disassembling (4 bolts)
- Easy servicing

### STAINLESS STEEL PASSAGE

Compatible with a large range of products (solvent base & waterbone)

### FAN AIR REMOTE CONTROL

Optional

### CIRCULATION IN THE GUN

Quicker and better flushing with a limited volume of solvent sprayed into the machine or spray booth



### CIRCULATION IN THE BASE

Less pressure loss in circulation system

